

Installation
Operation
and
Maintenance
Instructions

**Refrigerated
Wine Cellar
3SWCE**



life. luxury. marvel.™

An AGA Company

Remove Packaging

Your wine cabinet has been packed for shipment with all parts that could be damaged by movement securely fastened. Before using, be sure all packing materials and tape have been removed.

Important

Keep your carton packaging until your wine cabinet has been thoroughly inspected and found to be in good condition. If there is damage, the packaging will be needed as proof of damage in transit.

Note to Customer

This merchandise was carefully packed and thoroughly inspected before leaving our plant. Responsibility for its safe delivery was assumed by the carrier upon acceptance of the shipment. As directed on the side of your packing carton, claims for loss or damage sustained in transit must be made on the carrier as follows:

Exterior Damage

Make thorough damage notation on your delivery receipt and have driver acknowledge by signature and date. Send a written request asking for an inspection report from carrier. Include the name of carrier representative and the date the inspection was requested. Retain inspection report and receipt for filing of a claim.

Concealed Damage

This must be reported to the carrier within fifteen days. Obtain inspection report from the carrier. Retain the inspection report for filing the claim.

DO NOT RETURN DAMAGED MERCHANDISE TO THE MANUFACTURER – FILE THE CLAIM WITH THE CARRIER.

Undercounter 3SWCE Wine Cellar Specifications

Dimensions WxHxD (in.)	14 ⁷ / ₈ x 34 ¹ / ₄ x 23 ⁵ / ₈
Weight	130 lbs.
Capacity	24 Wine Bottles
Temperature	41–63°F
Power Supply	115V
supplied with a 15 amp plug	



REMINDER

IT IS IMPORTANT THAT YOU SEND IN YOUR WARRANTY RECORD CARD IMMEDIATELY AFTER TAKING DELIVERY OF YOUR REFRIGERATION APPLIANCE.

INSTALLATION

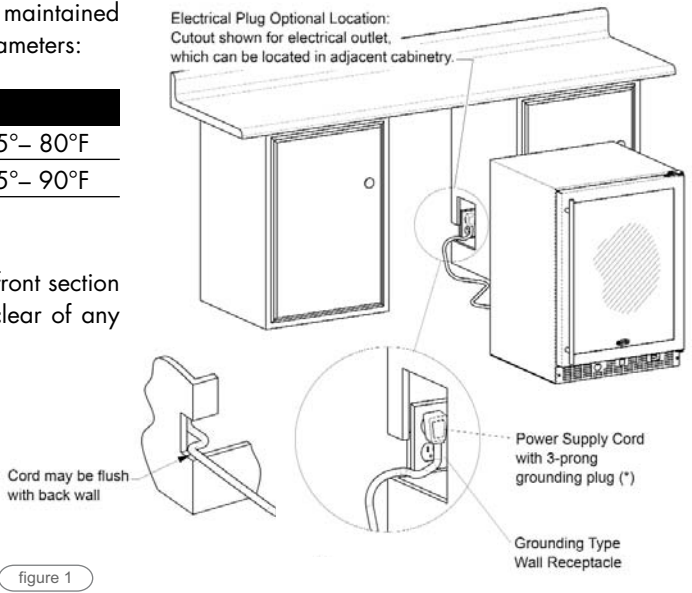
Select Location

The proper location will ensure peak performance of your appliance. Choose a location where the unit will be out of direct sunlight and away from heat sources. Best performance will be maintained when installed within the following parameters:

Ideal Ambient Temperature Range	
Built-in	65°– 80°F
Free-Standing	65°– 90°F

Cabinet Clearance

Ventilation is required from the bottom front section of the unit. Keep this area open and clear of any obstructions.

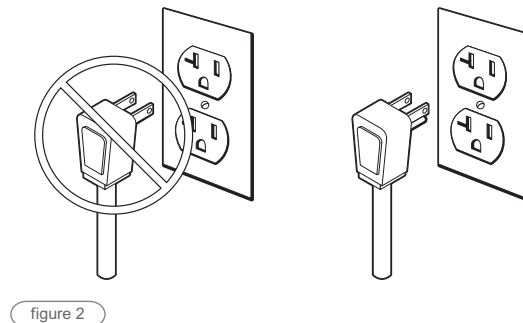


Electrical Connection

Use nominal 115 volt, 60 cycle AC only. DO NOT USE AN EXTENSION CORD.

Grounding Method

This product is factory equipped with a power supply cord that has a three-pronged, grounded plug. It must be plugged into a mating grounding type receptacle in accordance with the National Electrical Code and applicable local codes and ordinances (see figure 1). If the circuit does not have a grounding type receptacle, it is the responsibility and obligation of the customer to exchange the existing receptacle in accordance with the National Electrical Code and applicable local codes and ordinances. The third ground prong should not, under any circumstances, be cut or removed. (See figure 2) All U.L. listed refrigerated products are equipped with this type of plug.



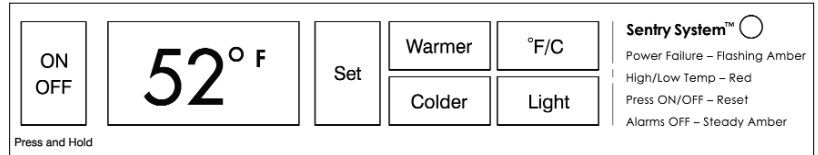


figure 3

Start Your Appliance

To start your appliance, push and hold for 5 seconds, the “ON/OFF” button located on the display panel. (See figure 3)

Upon turning the unit on, the display will read the actual temperature inside of the unit. If the interior temperature is greater than 99°F, the display will flash 99 until the temperature drops to 99°F.

Once the bottles are loaded, allow at least 48 hours for the unit to stabilize before making any adjustments to the initial setting.

Set Your Temperature Mode

This product can display either Fahrenheit or Celsius. To do this press the “°F/C” button on the display panel.

Set the Controls

The available temperature range of the unit is from the low forties to the mid sixties. The middle range on the control is approximately 55°F. The temperature can be lowered or raised by first pushing the “Set” button on the display pad. A “SET” icon will be displayed. This icon will turn off 10 second after completing your adjustments. Pushing either the “Warmer” or “Colder” buttons located on the inside of the unit on the display pad will raise or lower the set temperature by one degree F or C (depending on your setting). As with any refrigeration product, there is a slight temperature variance at different locations within the cabinet.

Adjustable Temperature Control

The temperature control is fully adjustable from the low forties to the mid sixties. The range allows flexibility of temperature preferences and provides the ideal wine aging and storing temperatures.

Interior Light and Switch

The interior light makes it easy to view your wine labels and enhances the display of your collection. To engage the display light feature, press the light button on the display panel. The light will come on and stay on with the door closed until the light button is pressed again. The light will also come on when the door is opened.

Warning Alarms

Your wine cellar has been fitted with a sentry mode. This sentry will let you know if your cellar is not functioning properly for optimum wine storage.

Door Ajar Alarm

If the door has been left open for over 5 minutes the alarm will sound. This will stop as soon as the door is closed.

High and Low Temperature

If your unit reaches temperatures outside of your set point an alarm will sound. This will warn you that your wines have seen temperatures that may not be conducive for long term storage.

Power Failure

If your unit experiences a power failure the display will flash until the alarm is reset.

Reset Alarms

Press the “ON/OFF” button for approximately one second. This will reset all audible and display alarms.

Sabbath Mode

Your wine cellar is equipped with a Sabbath mode of operation. By activating this mode you will be disabling all displays, audible alarms and lights. The system will be overridden with a random control. To activate the Sabbath mode press and hold the “Set” button while pressing the “°F/C” button 7 times within 7 seconds. To disable again press and hold the “Set” button and press the “°F/C” button 7 times in 7 seconds. The Sabbath mode will automatically disable after 96 hours.

APPLIANCE FEATURES

Insert Wine Bottles

The six roll-out shelves each hold four bottles. See figure 4 for typical wine bottle spacing. Tall bottles should not be loaded on the bottom rack because they may prevent the door from closing.

Loading Tips and Suggestions

Bottom rack(s) may be removed for storing “jug” wines. You may store magnums and other large bottles on any of the racks (except for the top rack) by removing the rack directly above them. Position white wines on the middle or lower racks and red wines on the upper racks. (See figure 5)

The bottles on the top rack directly under the light will be exposed to a slightly higher temperature when the light is on. Position your wines accordingly and REMEMBER TO TURN OFF THE LIGHT WHEN IT IS NO LONGER NEEDED.

Keep wines that you plan to use for everyday drinking and entertaining on the front half of the racks where labels are completely visible. Place wines for aging or longer term storing in rear.

Roll-out Racks

The six roll-out wine racks may be pulled out approximately 14 inches to facilitate adding or removing bottles. Do not lean on or press down heavily on the wine shelves. Doing so may damage the shelves and the wine bottles stored on them. Pull the wine racks out gently and carefully to minimize unsettling your wine collection. Avoid pulling out more than one rack at any time to maintain stability.

Single Bottle Racks

Because bottles are not stacked on top of each other, you can easily view and access your inventory without disturbing other bottles. (See figure 6)

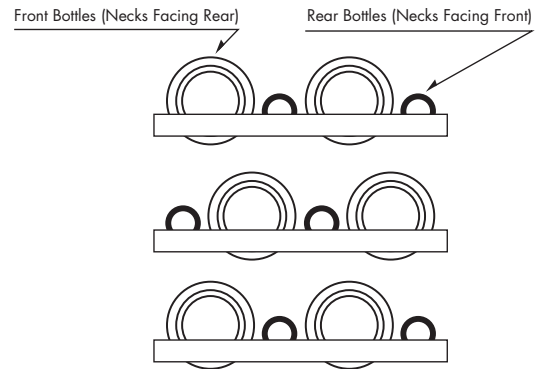


figure 4

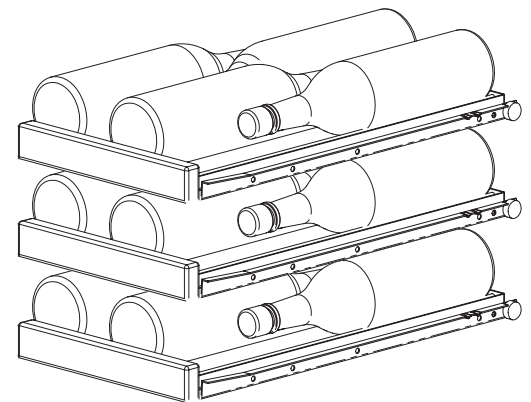


figure 5

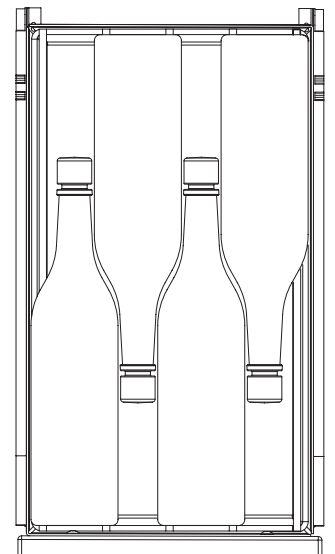


figure 6

CARE AND CLEANING OF YOUR WINE CELLAR

Condenser

The condenser tubing inside the cabinet does not require frequent cleaning; however, satisfactory cooling depends on adequate ventilation over the coils. Be sure that nothing obstructs the required air flow openings in front of the cabinet. At least once or twice a year brush or vacuum lint and dirt from the condenser for efficient performance by unscrewing the grille on the bottom front of the cabinet.

Cabinet

The painted cabinet can be washed with mild soap and water and thoroughly rinsed with clear water. Never use abrasive scouring cleaners.

Interior

Wash interior compartment with mild soap and water. Do not use an abrasive cleaner, solvent, polish cleaner or undiluted detergent.

Glass Door

Use a glass cleaner or mild soap and water and soft cloth to clean the glass door model. Do not use any abrasive cleaners.

Door Gasket

The vinyl gasket may be cleaned with mild soap and water, a baking soda solution or a mild scouring powder.

Light Tube Replacement

WARNING! DISCONNECT THE POWER CORD BEFORE ATTEMPTING LIGHT TUBE REPLACEMENT. Failure to do so may result in an electrical shock that could severely injure you.

This product uses one, 6 watt light tube to illuminate the interior of the wine cellar. The light tube is a very reliable electrical component, but should it not function properly, please call the dealer you purchased your wine cellar from for a replacement light tube. Use only an original equipment light tube from your dealer or manufacturer.

To replace the light tube, use a hex-head driver, remove the two hex-head screws holding the old light tube in place. Disconnect the electrical plug from the cabinet's electrical receptacle and discard the old light tube. Reconnect the electrical plug of the new light tube to the cabinet's electrical receptacle. Make sure it is secure and fully installed.

Using the hex-head driver, resecure the two hex-head screws to secure the light tube in place. Plug the wine cellar into the electrical socket. Check to see if the light tube operates properly. Your light tube's replacement is complete.

The light tube is not covered by your warranty. A replacement tube can be obtained from your service provider or from Marvel Industries.

In the Event of a Power Failure

Most power failures are corrected within two hours and will not affect the unit's temperature providing you minimize the number of door openings while the power is off. A gradual rise in temperature should not have any adverse effect on your wine if power is out for a longer period. If it is extremely hot, you may want to move your wines to the coolest location you can find until power is restored.

TROUBLESHOOTING

Before Calling for Service

Before calling for service, check the troubleshooting table on this page. This table lists possible problems that you can remedy without difficulty to avoid an unnecessary service call.

Problem	Possible Causes/Solutions
Odor in cabinet	<ul style="list-style-type: none"> • Interior needs cleaning
Noisy operation	<ul style="list-style-type: none"> • Cabinet not level • Weak floor
Cabinet vibrates	<ul style="list-style-type: none"> • Cabinet not level • Weak floor
Cabinet light not working	<ul style="list-style-type: none"> • Tube burned out • No power at outlet
Appliance will not run	<ul style="list-style-type: none"> • "ON/OFF" button pressed • Line cord not plugged in • No power at electrical outlet • House fuse blown
Appliance runs too long	<ul style="list-style-type: none"> • Prolonged door openings • Control set too cold • Condenser needs cleaning
Moisture collects inside	<ul style="list-style-type: none"> • Too many door openings • Prolonged door openings • Hot, humid weather increases condensation • Control improperly set.
Moisture collects on outside surface	<ul style="list-style-type: none"> • Hot, humid weather increases condensation. As humidity decreases, moisture will disappear. • Control improperly set
Interior too hot/too cold	<ul style="list-style-type: none"> • Control improperly set • Faulty thermometer • Relocate thermometer to center of cabinet and recheck

Help Prevent Tragedies

Each year children die because they climb inside a discarded refrigeration product, get trapped inside and suffocate. Take precautions to prevent such tragedies by removing the door, taping or chaining it shut before discarding.

OBTAINING SERVICE

If You Do Need Service

If you do need service, contact your dealer or the manufacturer. In any correspondence, refer to the model number and serial number of your unit which is located on the upper left hand side of the wall liner. Retain your proof of purchase. You may want to record these numbers in the space below.

For Your Records

Date of purchase

Dealer's Name

Dealer's Address

Dealer's City

Dealer's State

Zip

Appliance Serial Number

Model Number

Date Warranty Card Sent (Must be within 10 Days of Purchase)

How to Obtain Service

Your refrigerated wine cellar requires little service because the best and most up to date materials, equipment and quality methods are employed throughout the manufacturing process.

If trouble occurs during normal operation, first check the troubleshooting chart on the opposite page to see if any of these simple steps may correct the problem. If service becomes necessary:

1. If the product is within the first year warranty period, please call Marvel Customer Service at 800-428-6644 for directions on how to obtain warranty coverage in your area.
2. If the product is outside of the first year warranty period, Marvel Customer Service can provide recommendations of service centers in your area. A listing of authorized service centers is also available at www.marvelindustries.com under the service and support option.
3. In all correspondence regarding service, be sure to give the model number, serial number and proof of purchase.
4. Try to have information or description of the nature of the problem, how long the unit has been running, the room temperature, water temperatures, and any additional information that may be helpful in quickly solving the problem.

WARRANTY

Entire Product Limited One Year Parts and Labor Warranty

Marvel warrants that it will supply all necessary parts and labor to repair or replace in the end user's home or office, any component which proves to be defective in material or workmanship, subject to the condition and exclusions stated below, for a period of one year from the date of purchase by the end user.

Additional Second Through Fifth Year Limited Parts Only Warranty

During the four years following expiration of the one year limited warranty, Marvel will supply replacement parts for the hermetically sealed refrigeration system which consists of the compressor, condenser, drier, accumulator, by-pass valve, connecting tubing and the evaporator that are proven to be defective due to workmanship or materials subject to the conditions and exclusions below.

The above warranties do not cover:

- Shipping costs of replacement parts or returned defective parts.
- Customer education or instructions on how to use the appliance.
- Any content loss due to product failure.
- Removal or installation.

Nor do the above warranties cover failure of this product or its components due to:

1. Transportation or subsequent damages.
2. Use commercially or use other than normal household or small office.
3. Improper installation, misuse, abuse, accident or alteration, use on wiring not conforming to electrical codes, low or high voltages, failure to provide necessary maintenance, or other unreasonable use.

Parts or Service Not Supplied or Designated by Marvel

The above warranties also do not apply if:

The original bill of sale, deliver date or serial number cannot be verified.

Defective parts are not returned for inspection if so requested by Marvel.

The refrigeration equipment is not in the possession of the original end use purchaser.

The warranties set forth herein are the only warranties extended by Marvel Industries. Any implied warranties, including the implied warranty of merchantability, are limited to the duration of these express warranties. In no event shall Marvel Industries be liable for any consequential or incidental damages or expenses resulting from breach of these or any other warranties, whether express or implied.

Some states do not allow the exclusion or limitation of consequential damages or a limitation on how long an implied warranty lasts, so the above exclusion or limitation may not apply to you. This warranty gives you specific legal rights and you may have other rights that may vary from state to state.

No person, firm, or corporation is authorized to make any other warranty or assume any other obligation for Marvel Industries. These warranties apply only to products used in any of the fifty states of the United States and the District of Columbia.

To obtain performance of this warranty, report any defects to:

Marvel Industries
P.O. Box 997
Richmond, Indiana 47375-0997
Phone: 765-962-2521



Marvel Industries
P.O. Box 997
Richmond, IN
47375-0997

800.428.6644

An AGA Company

41010349 Rev. B

www.lifeluxurymarvel.com

All specifications and product designs subject to change without notice. Such revisions do not entitle the buyer to corresponding changes, improvements additions, replacements or compensation for previously purchased products.