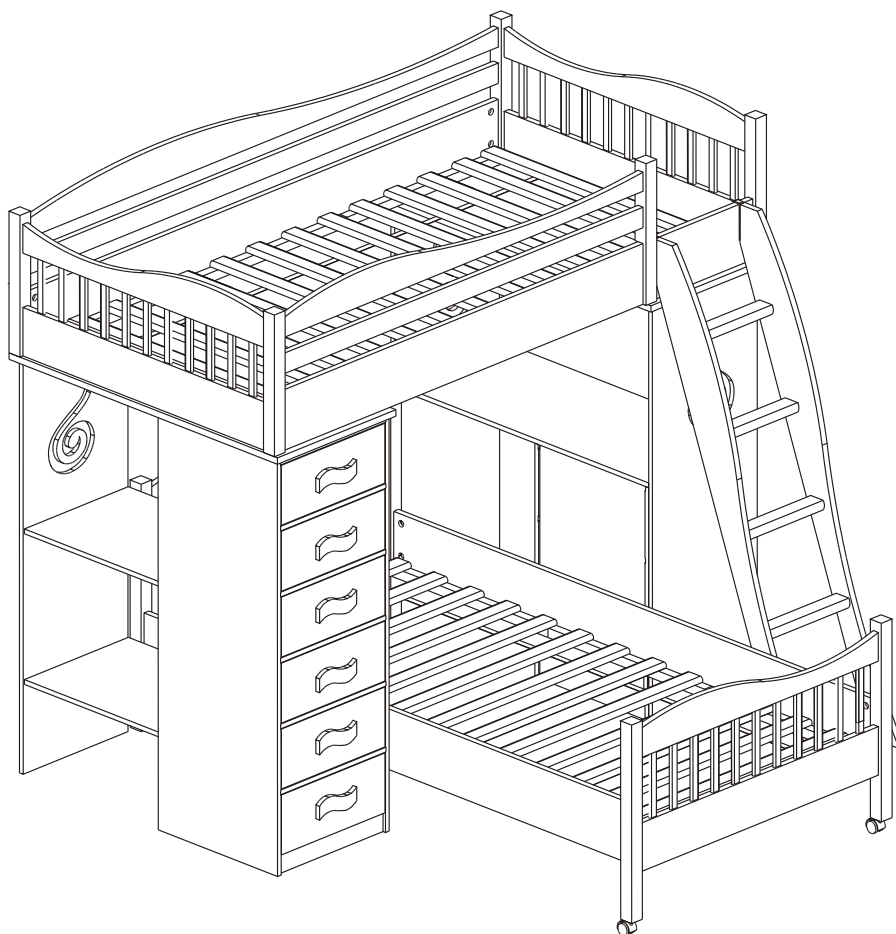


LOFT MAGIC Model No. Rm78

Assembly Instructions

Made in Brazil



Warning - To help prevent serious or fatal injuries from entrapment or falls:

Size of Mattress and Foundation

- This bed is designed to use a mattress which is 74" - 75" long x 37½" - 38½" wide and the slat kit included. The total thickness must not exceed 8". NOTE: There must be at least 5" from mattress sleeping surface to top edge of guardrail.

Replacement Parts

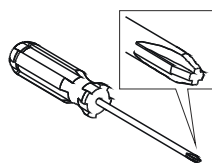
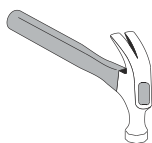
- Replacement parts, including additional guardrails, may be obtained by calling Customer Service at 1-800-225-1671.

Safety Warnings

- Follow the information on the warnings appearing on the upper bunk end structure and on the carton. Do not remove warning label from bed.
- Always use the recommended size mattress or mattress support, or both, to help prevent the likelihood of entrapment or falls.
- Surface of mattress must be at least 5 in. below the upper edge of guardrails.
- Do not allow children under 6 years of age to use the upper bunk.
- Prohibit more than one person on upper bunk.
- Periodically check and ensure that the guardrail, ladder, and other components are in their proper position, free from damage, and that all connectors are tight.
- Do not allow horseplay on or under the bed and prohibit jumping on the bed.
- Always use the ladder for entering and leaving the upper bunk.
- Do not use substitute parts. Contact manufacturer or dealer for replacement parts.
- Use of a night light may provide added safety precaution for a child using the upper bunk.
- If the bunk bed will be placed next to a wall, the guard rail that runs the full length of the bed should be placed against the wall to prevent entrapment between the bed and the wall.
- Always use guardrails on both long sides of the upper bunk.
- The use of water or sleep flotation mattresses is prohibited.
- Keep these instructions for future reference.
- Maximum total weight is not to exceed 150 lbs. on the upper bunk.

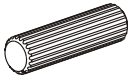
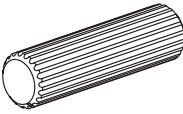
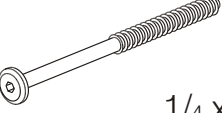
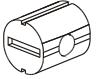
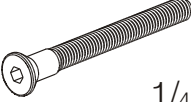
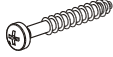
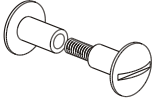
DO NOT REMOVE WARNING LABEL FROM BUNK BED

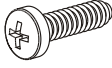
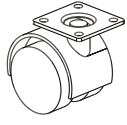
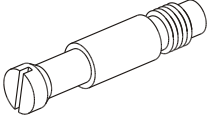
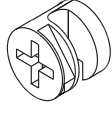
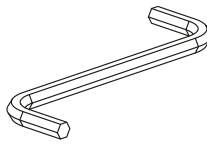
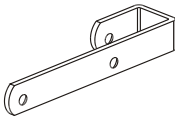
TOOLS REQUIRED FOR ASSEMBLY

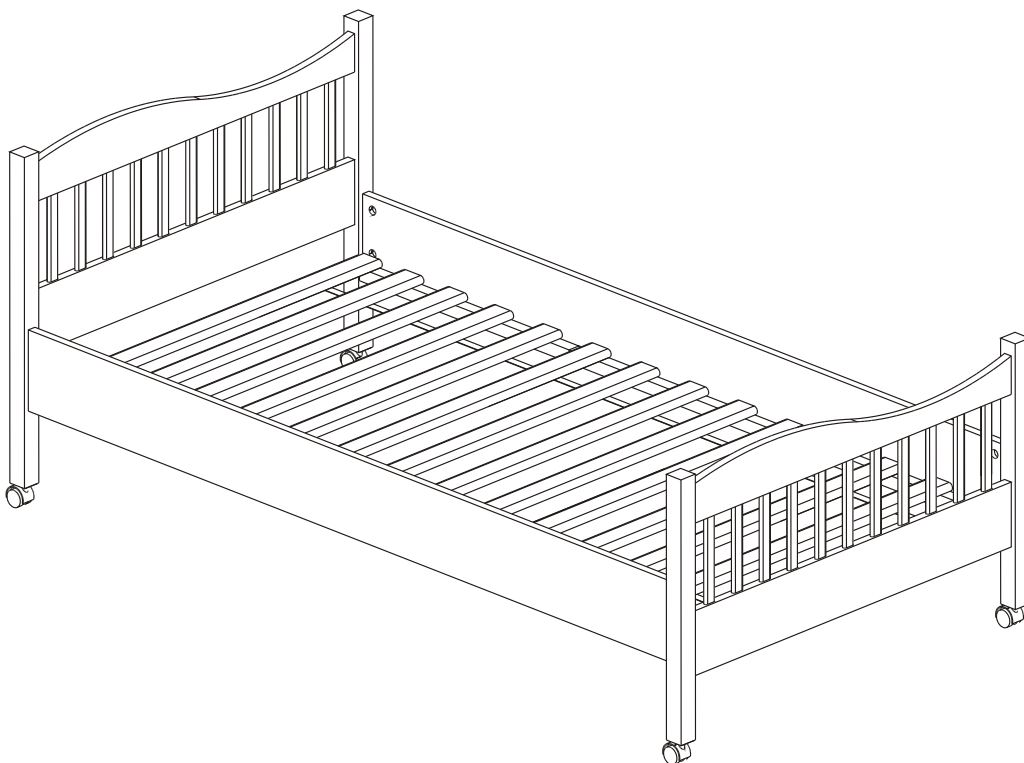


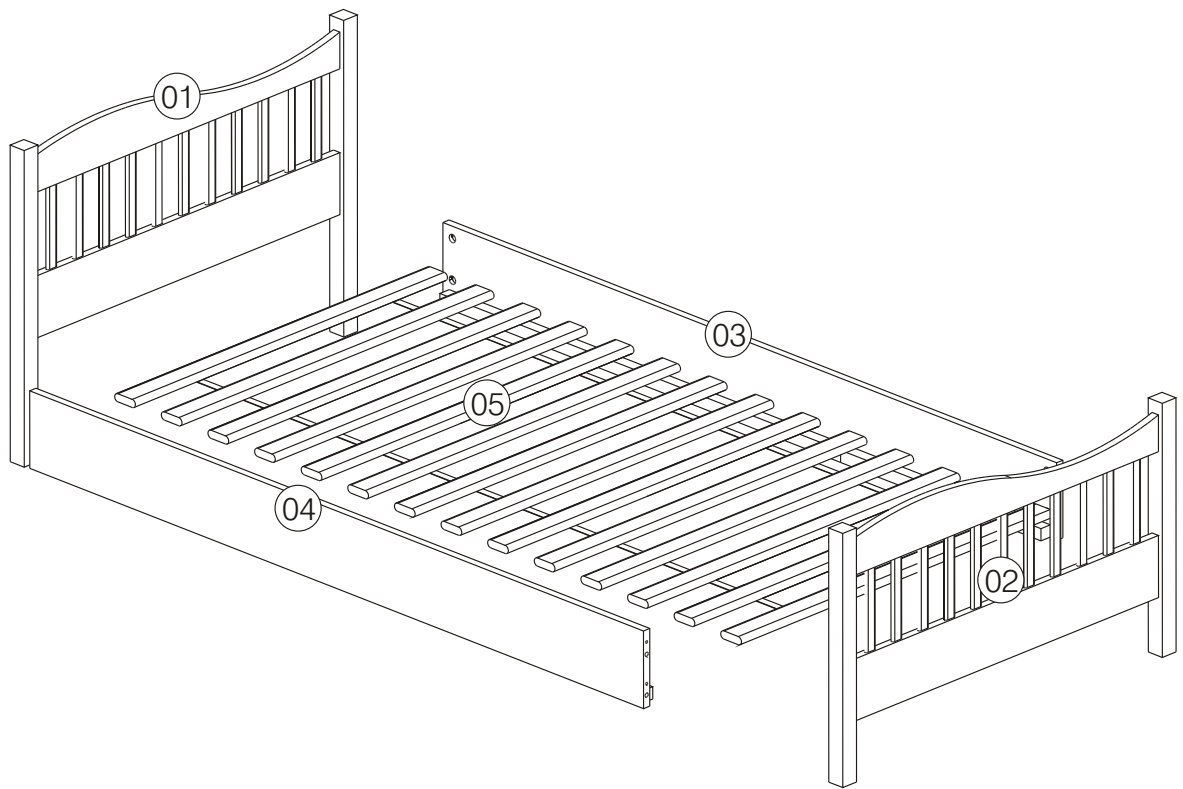
BEFORE YOU BEGIN

Please read through this entire instruction sheet. Unpack and identify all parts included on the Parts List and Hardware List.

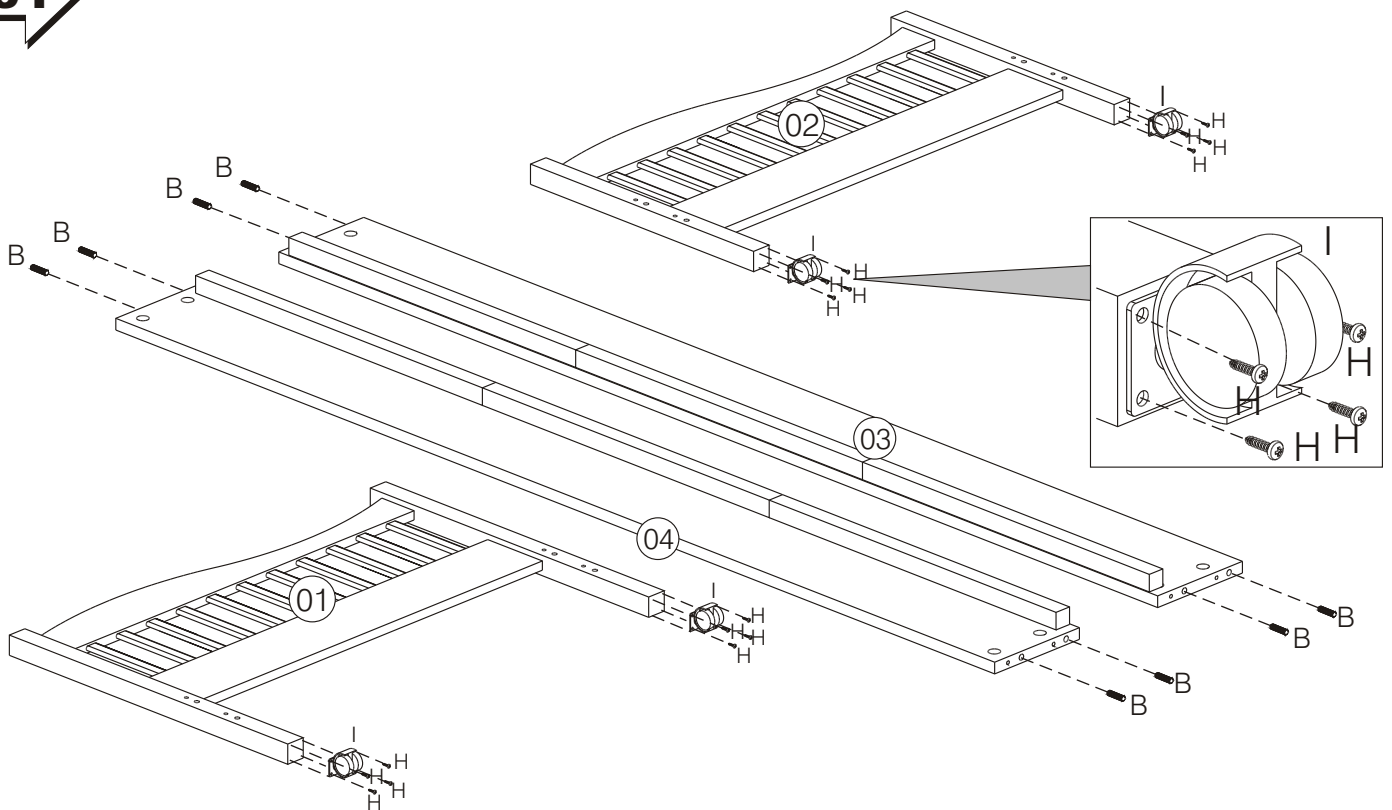
A	 Ø8x30	35
B	 Ø10x40	24
C	 1/4 x 100	16
D		16
E	 1/4 x 100	08
F	 Ø3,5x30	16
G		01

H	 Ø3,5x16	22
I		04
J		22
L		22
M		01
N		02

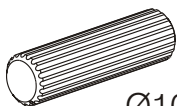




01



B



08

Ø10x40

H



16

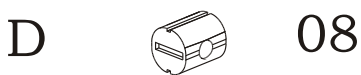
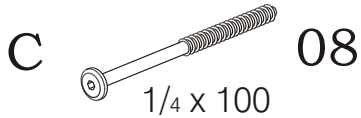
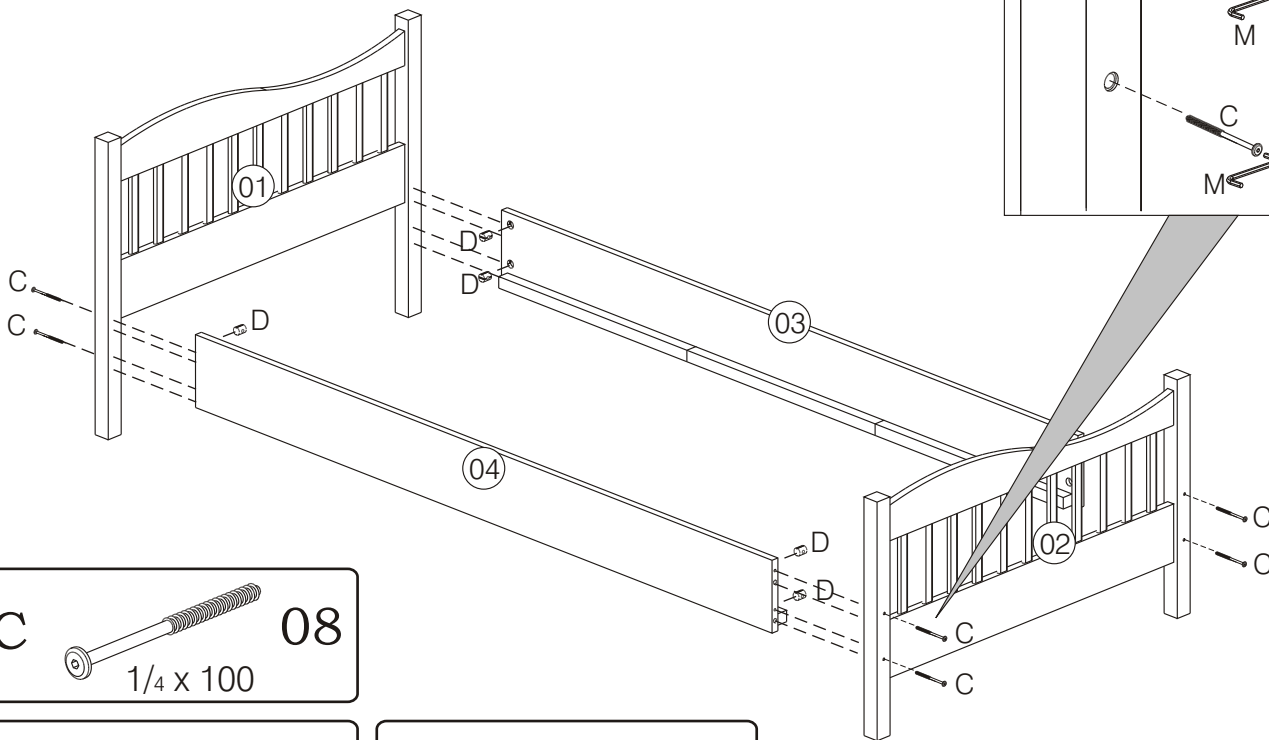
Ø3,5x16

I

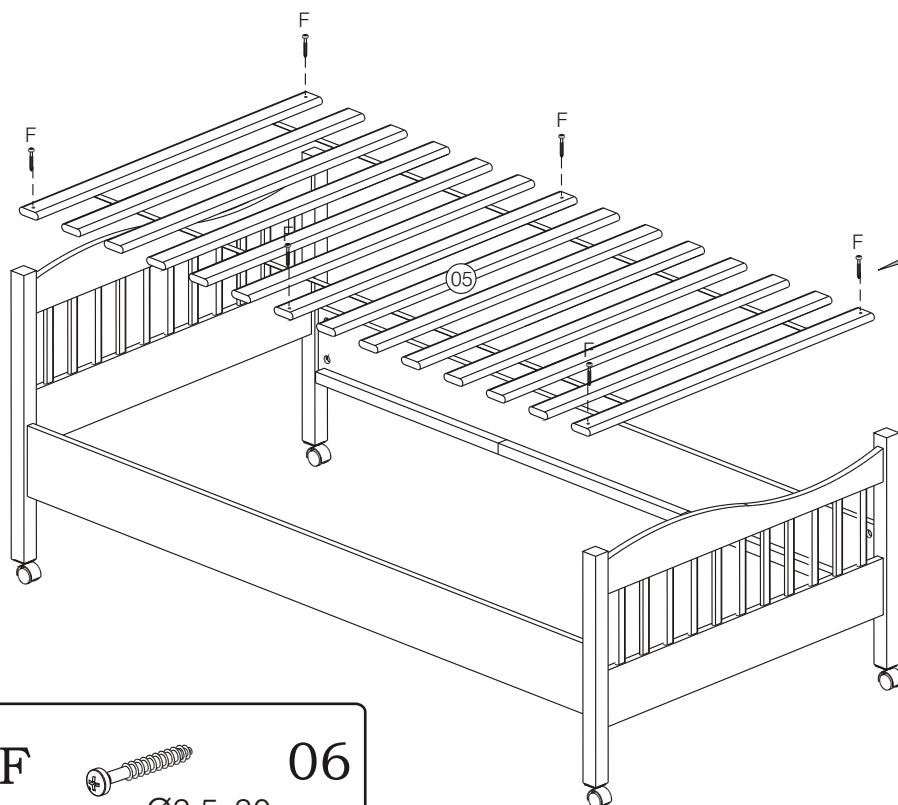


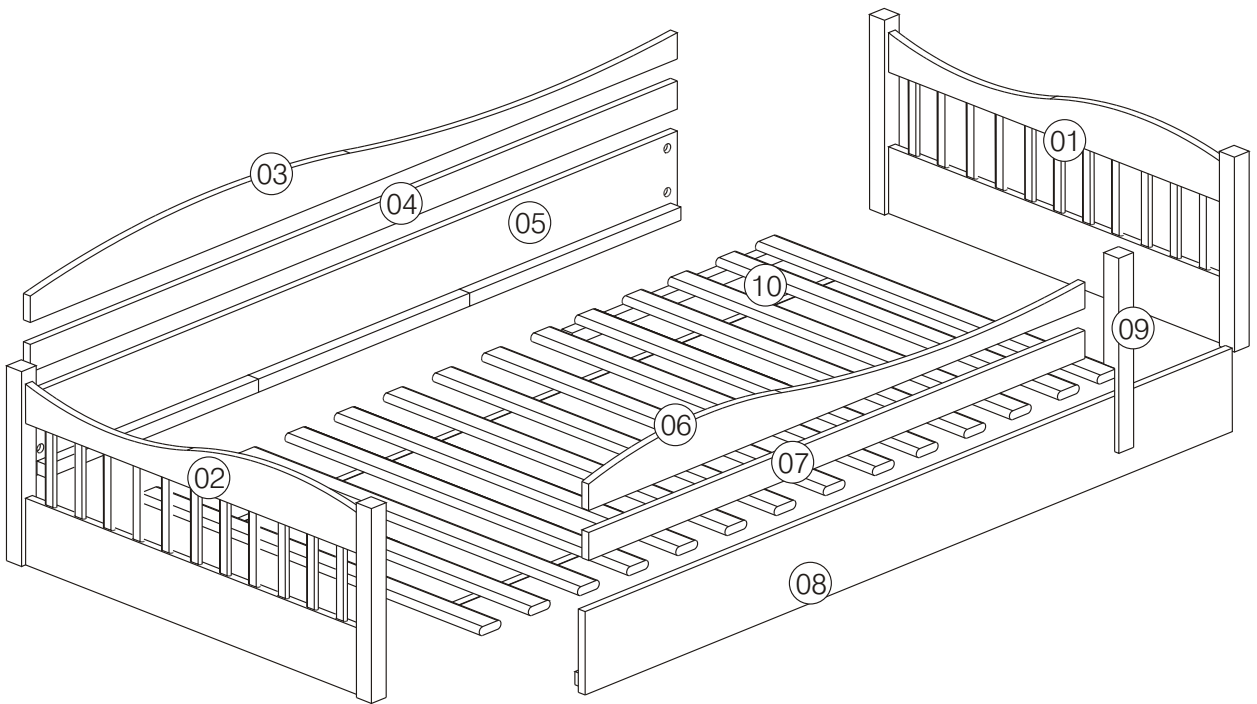
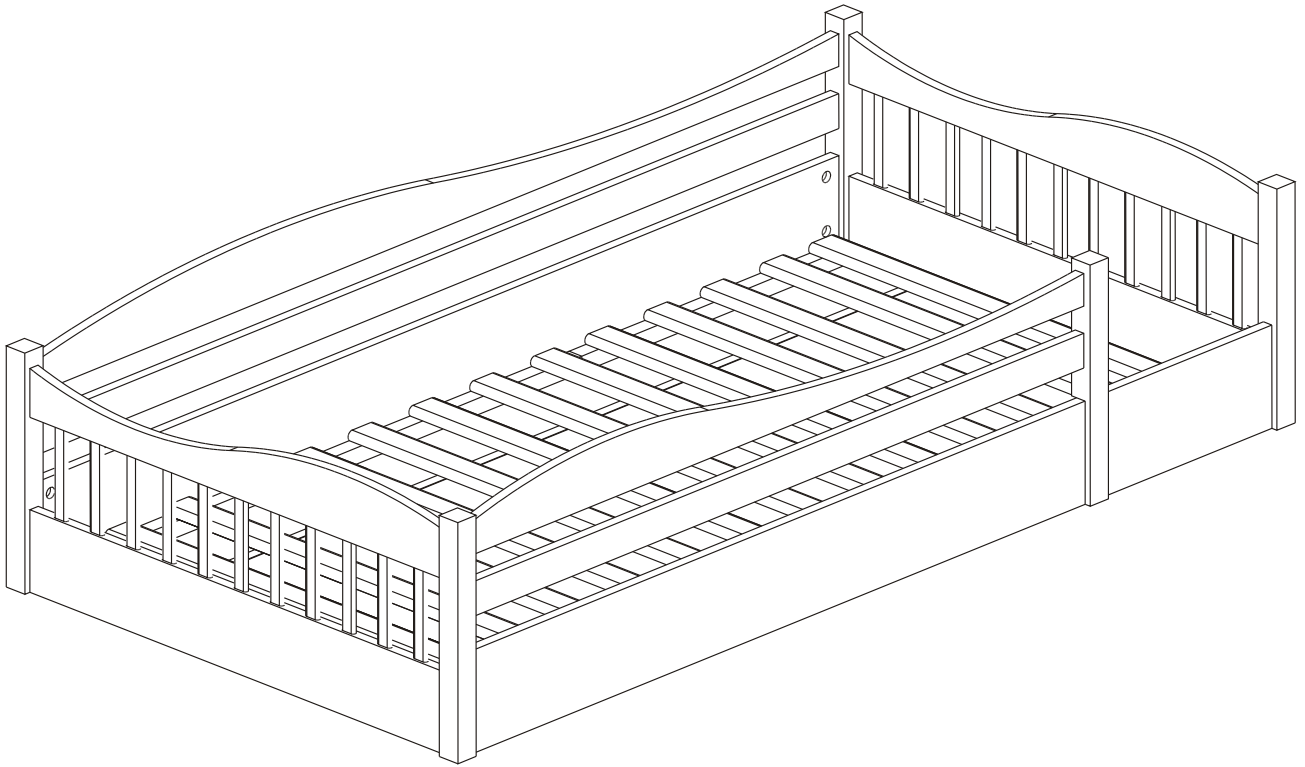
04

02

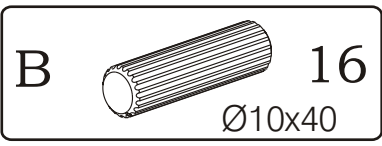
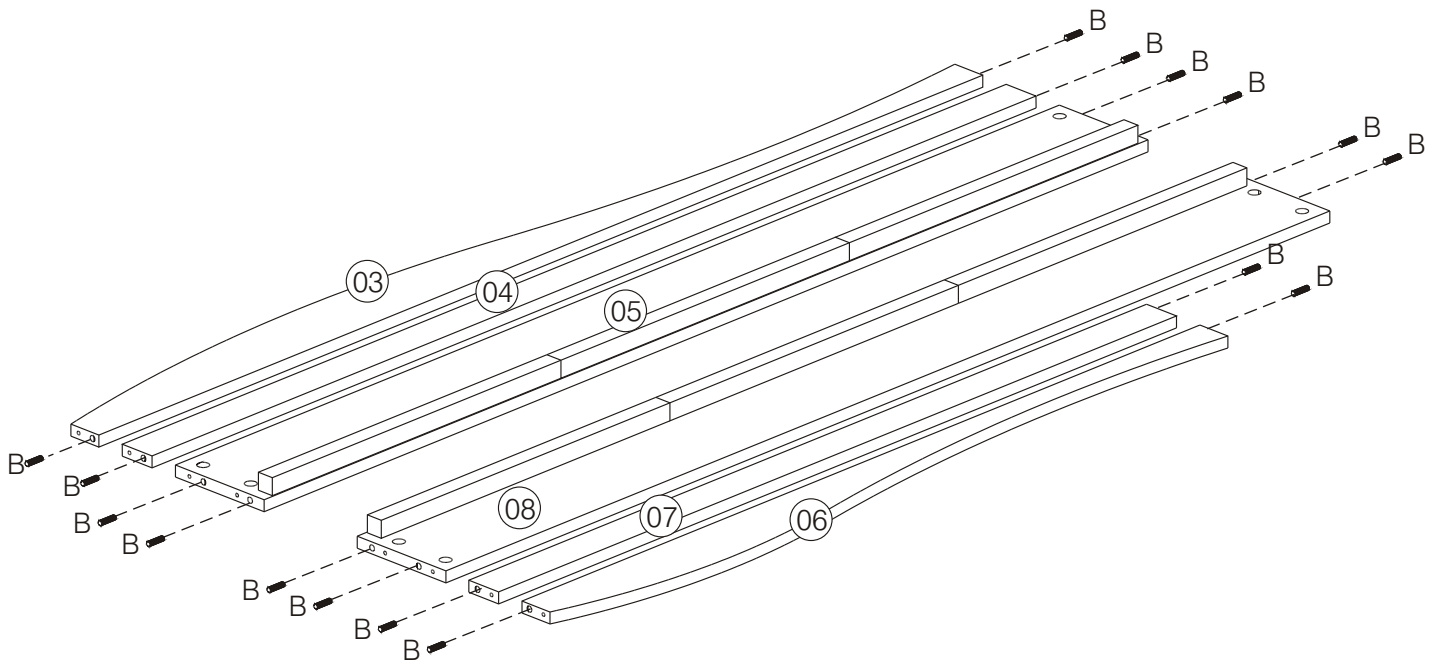


03

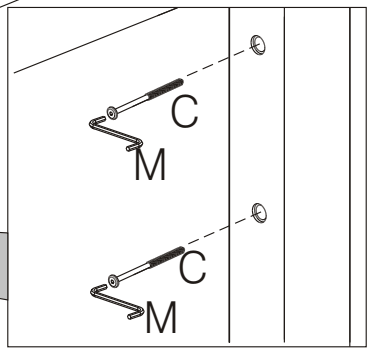
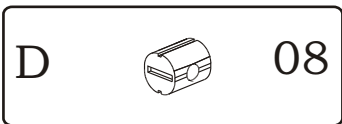
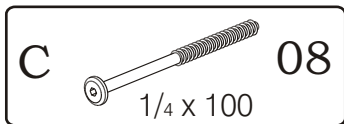
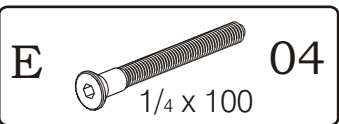
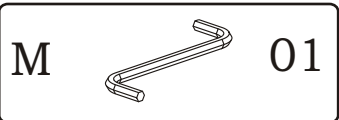
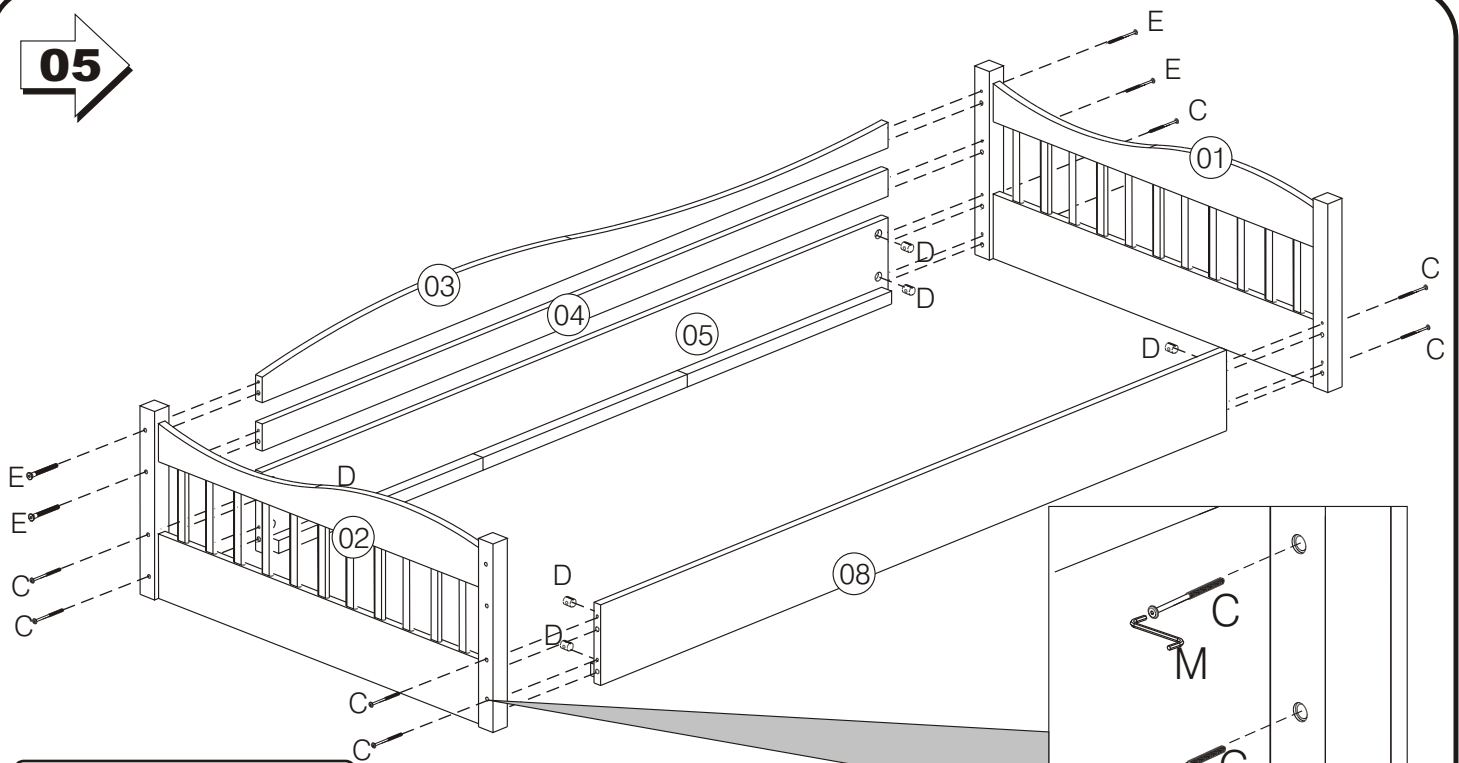




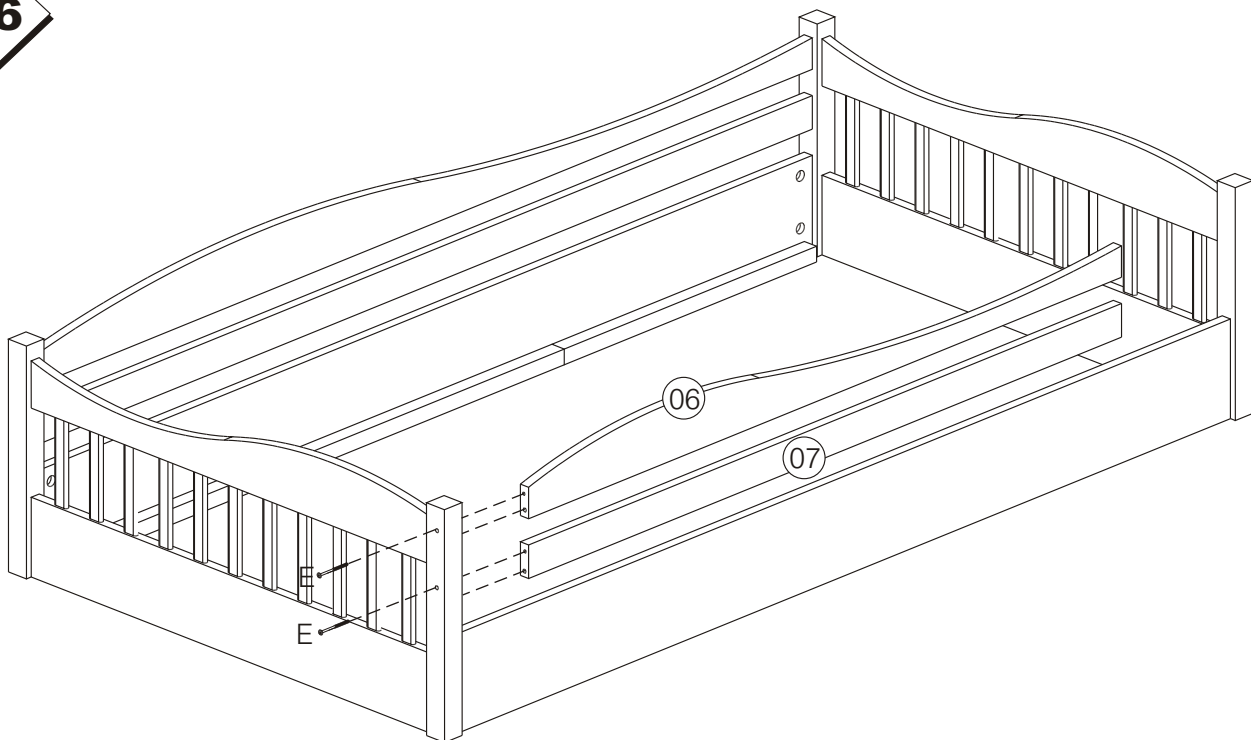
04



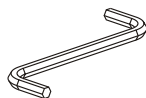
05



06

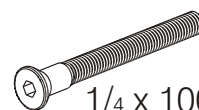


M



01

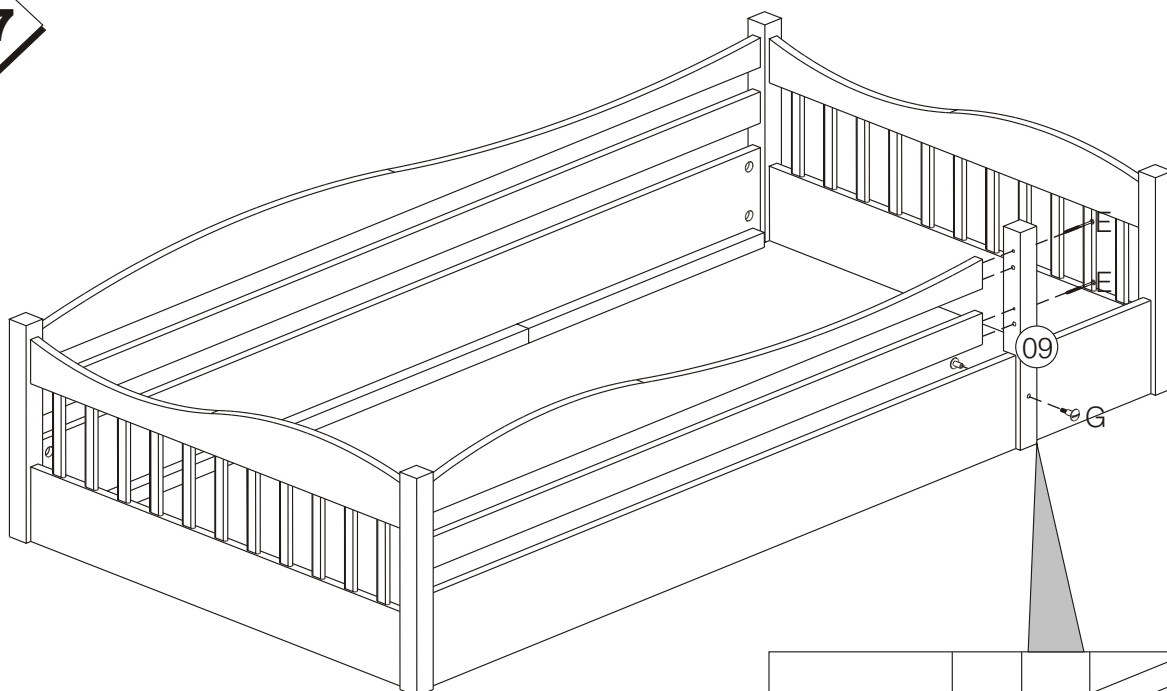
E



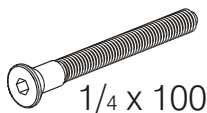
02

1/4 x 100

07



E



02

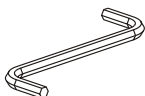
1/4 x 100

G



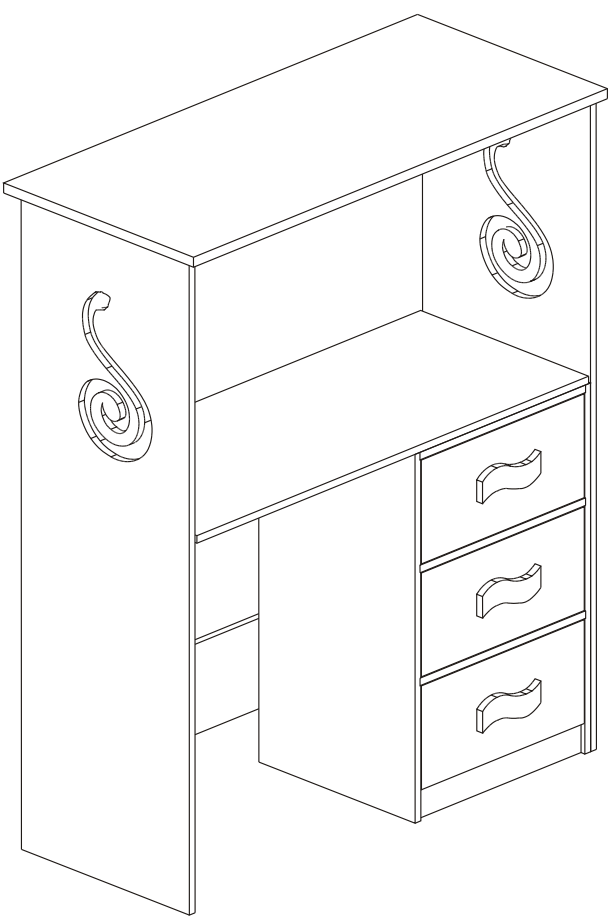
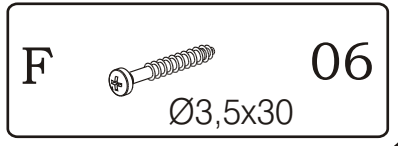
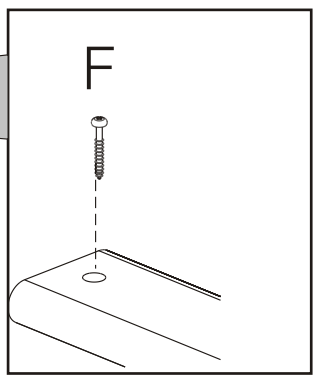
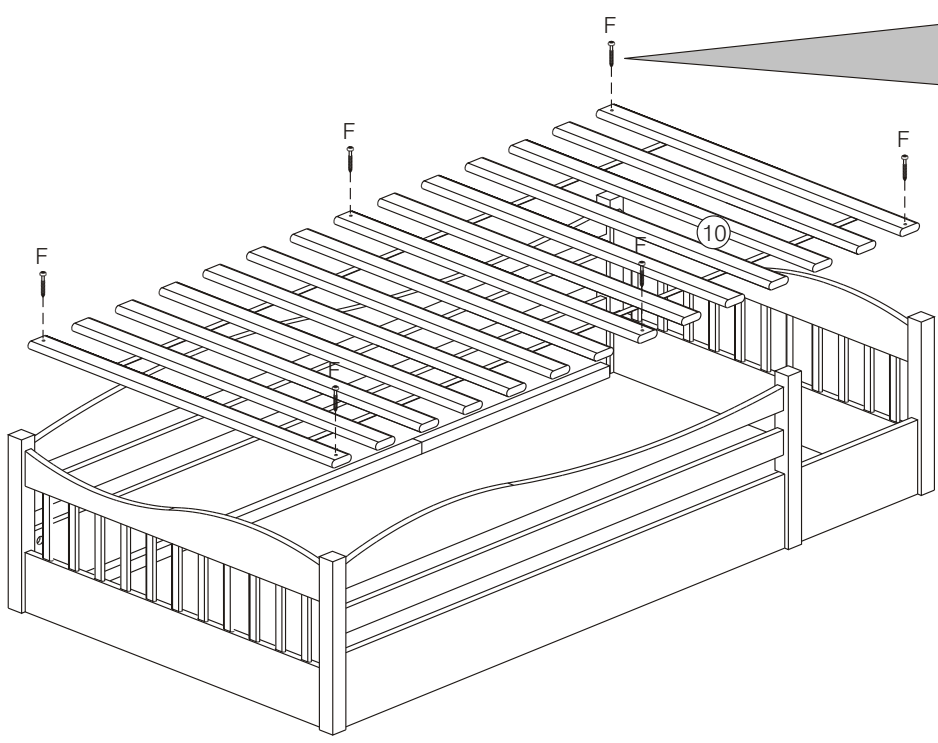
01

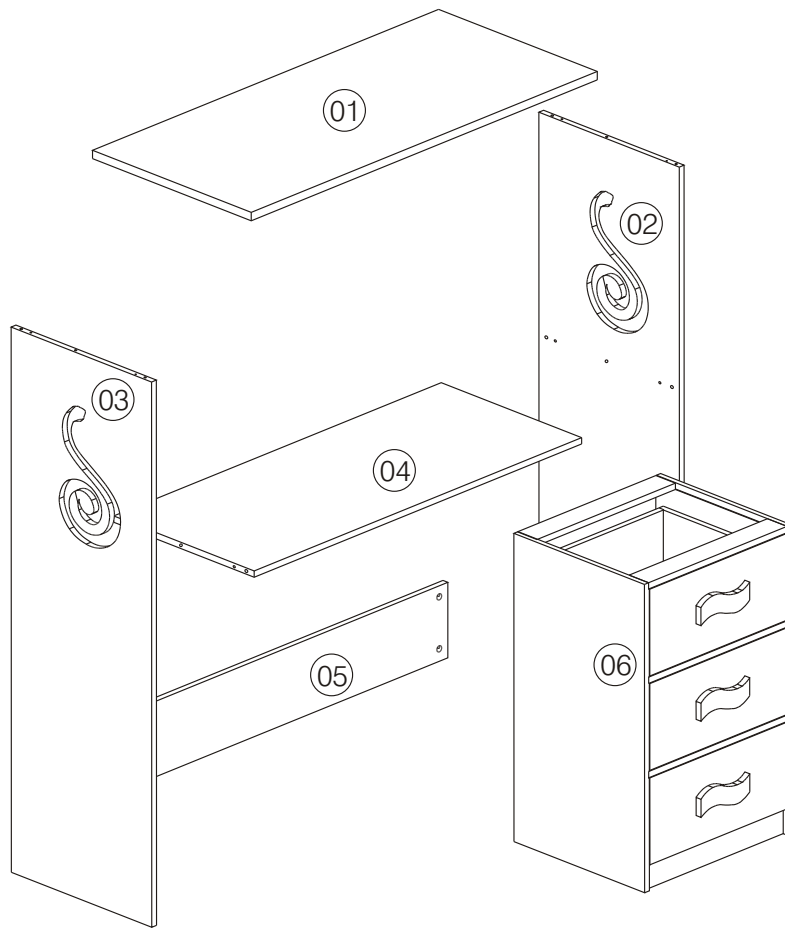
M



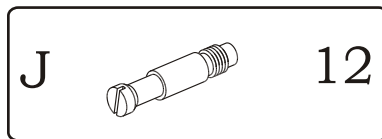
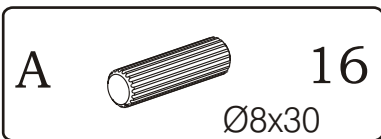
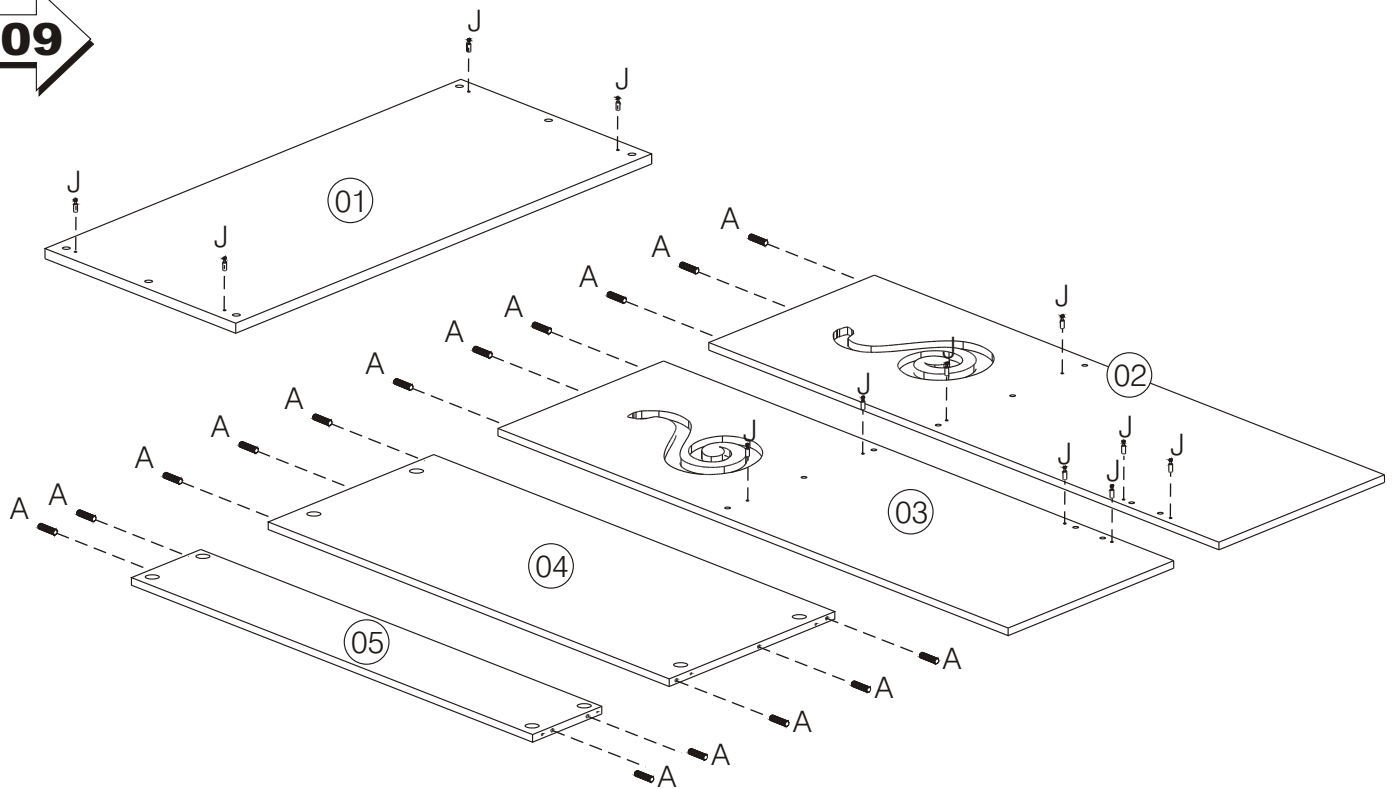
01

08

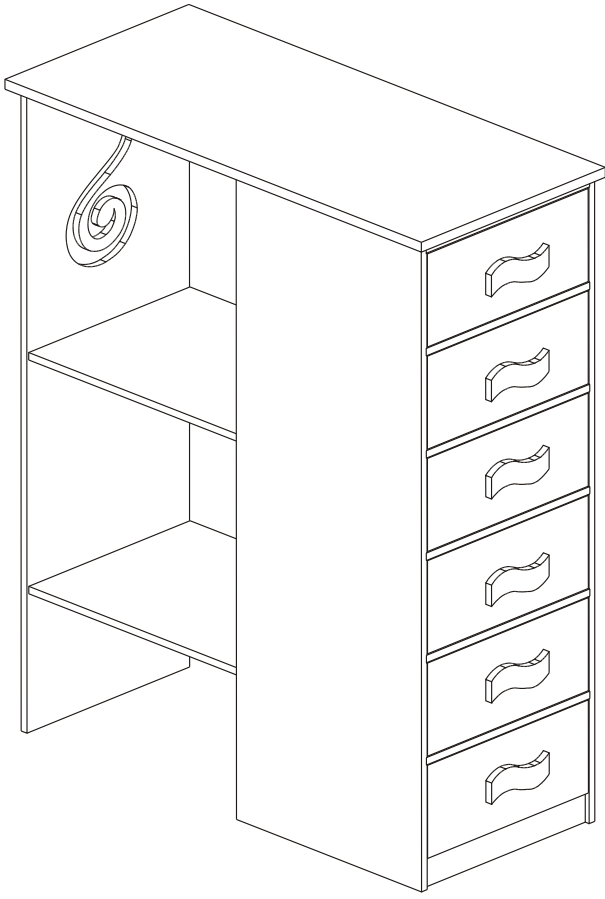
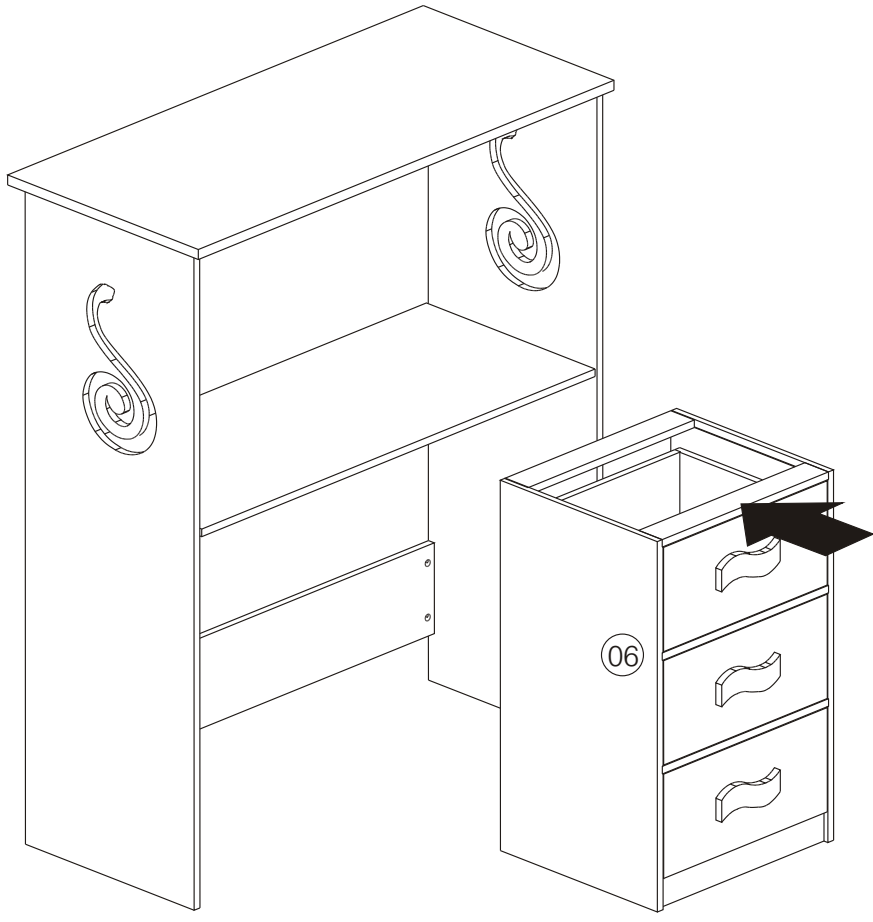


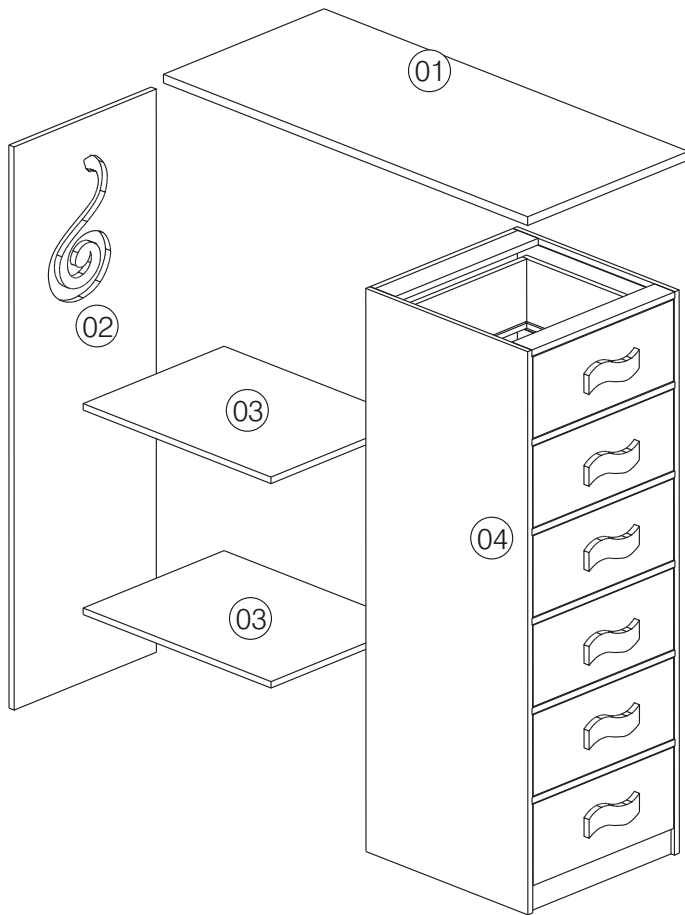


09

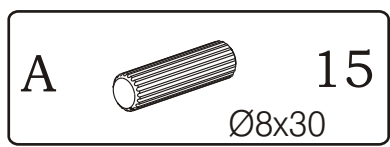
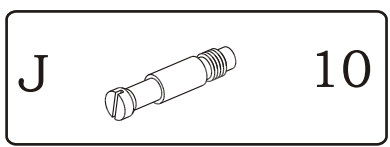
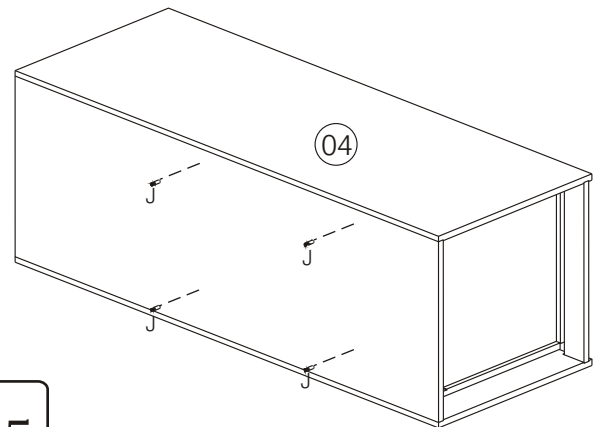
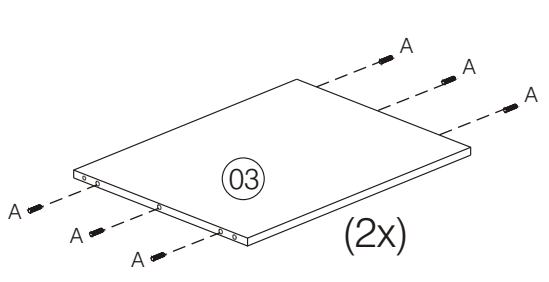
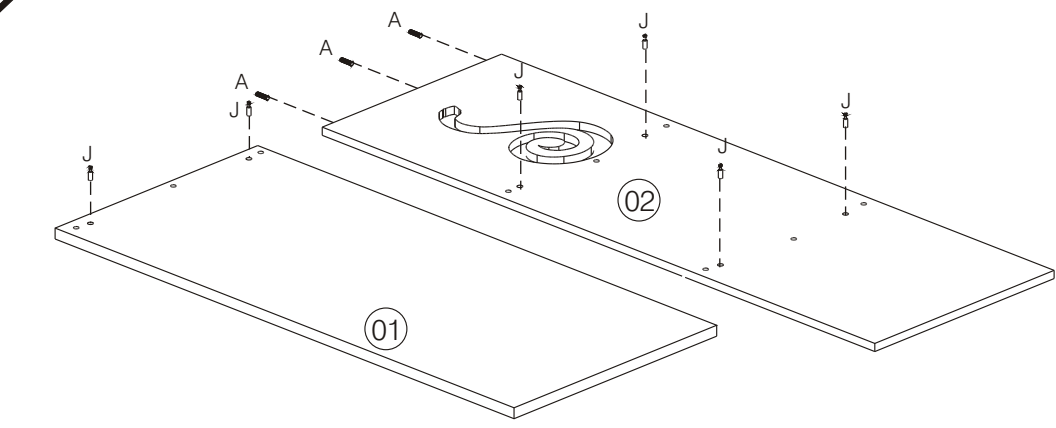


12

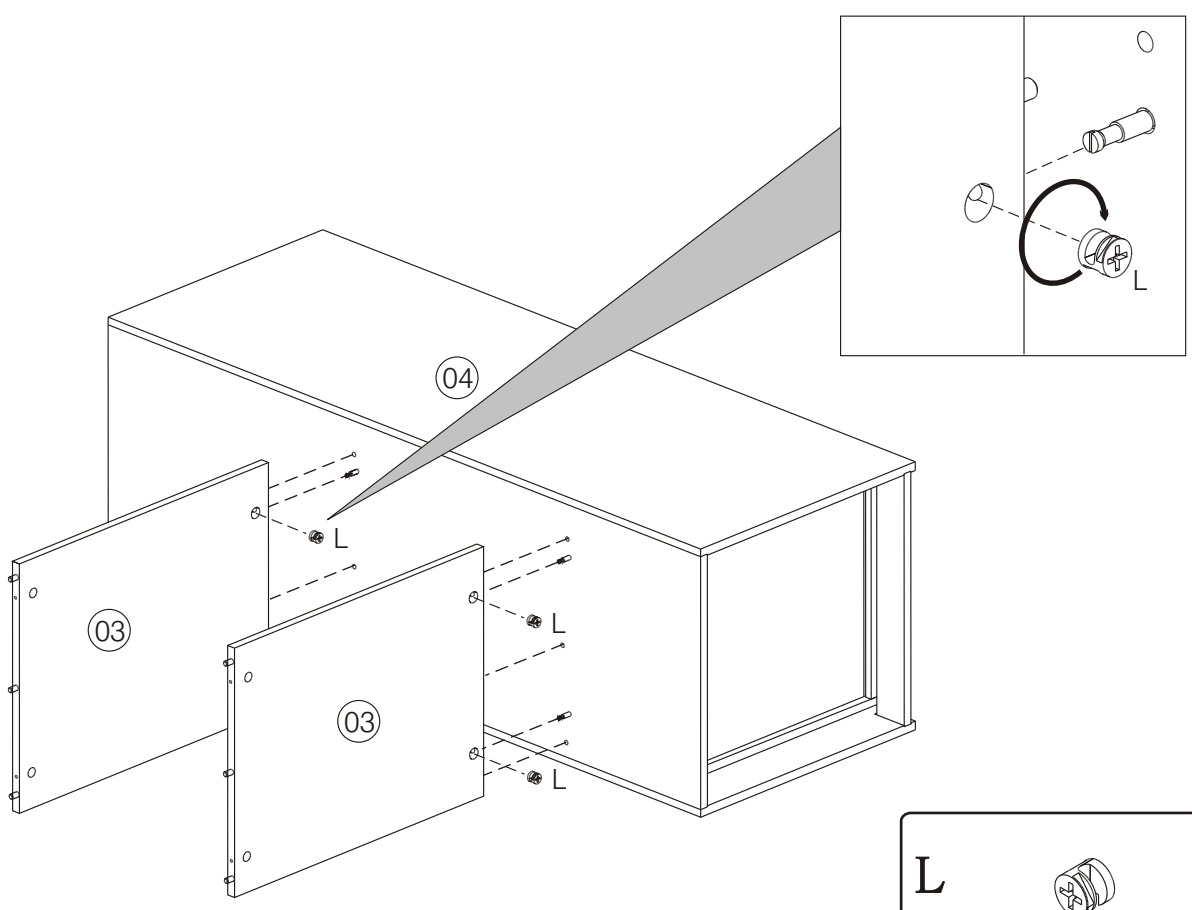





13

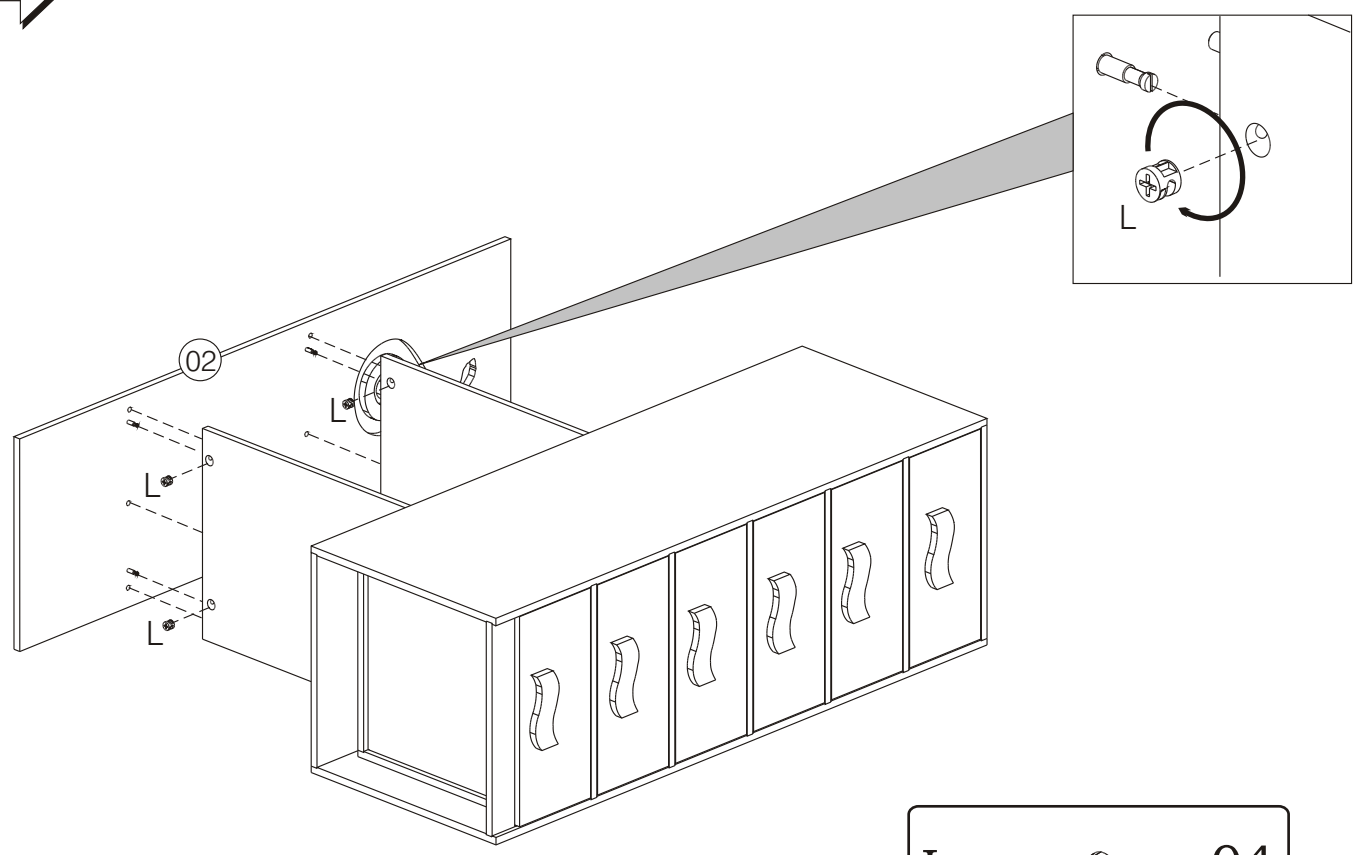



14



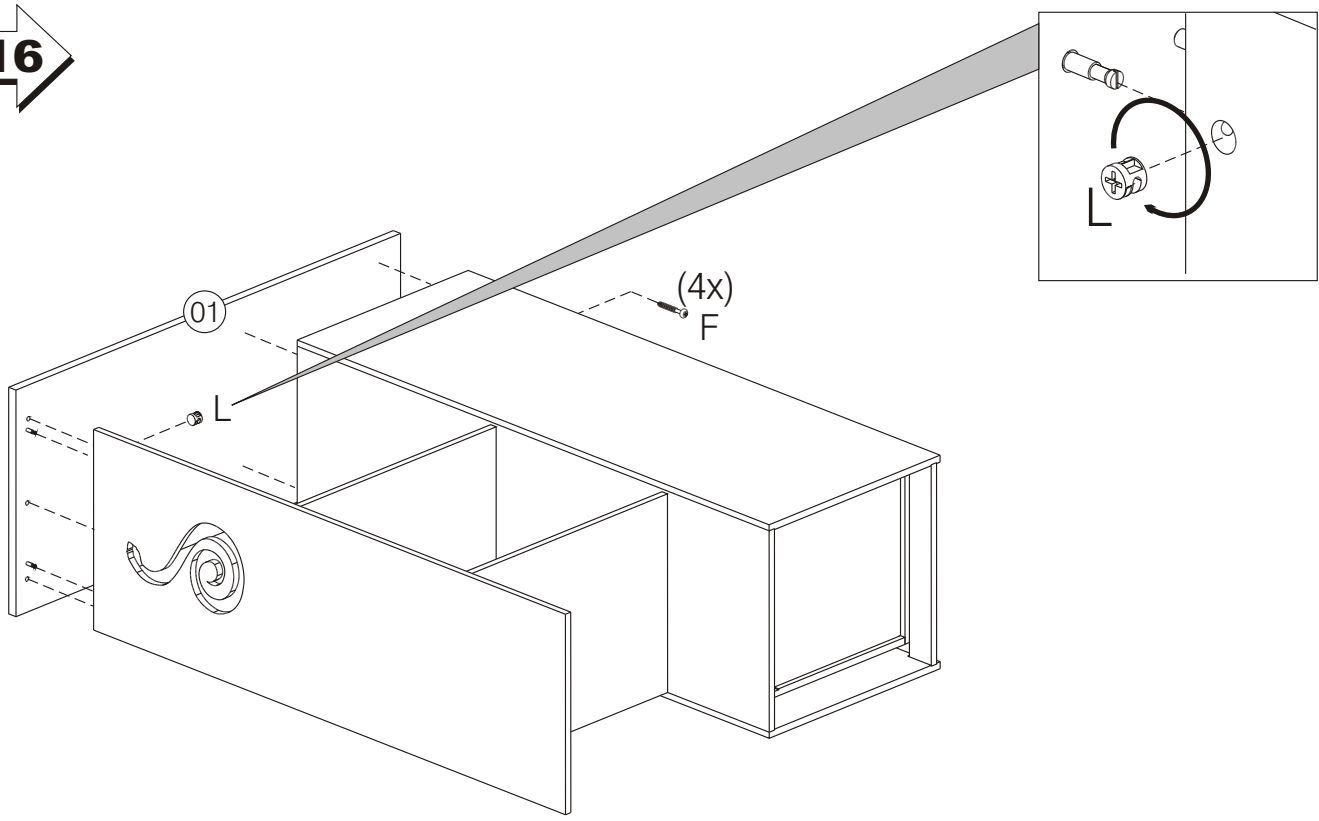
L  04

15



L  04

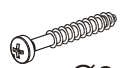
16




01

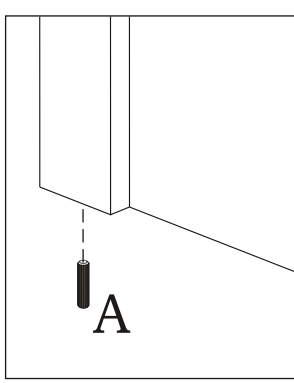
(4x)
F

L

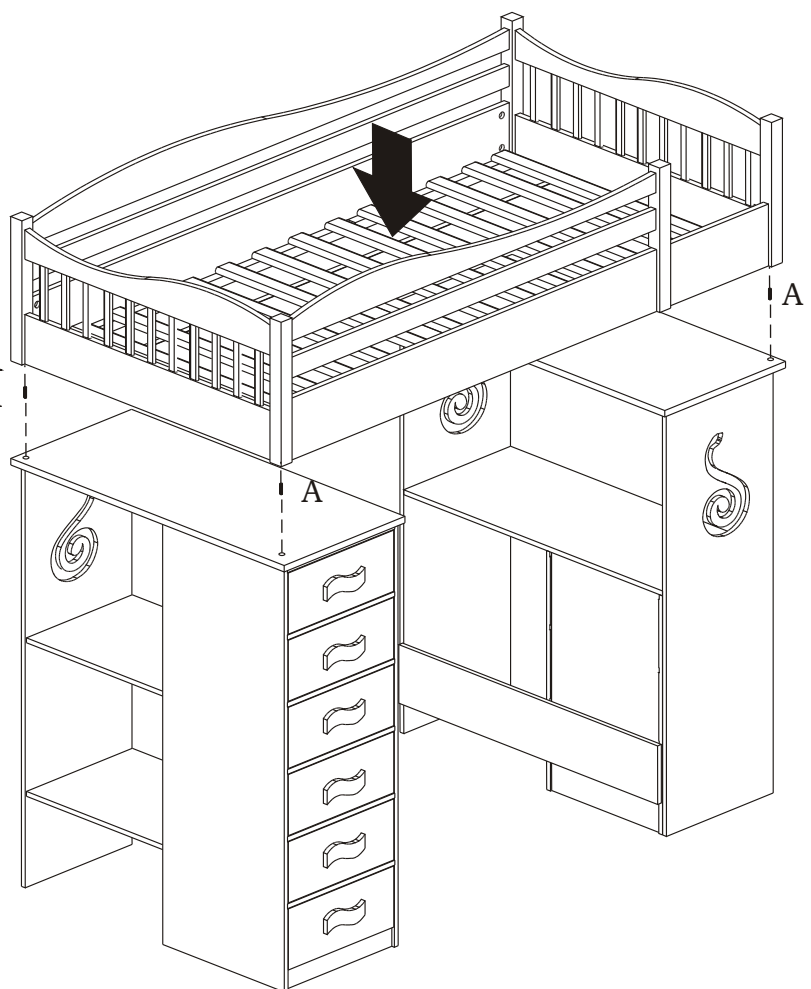
F  04
Ø3,5x30

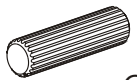
L  02

17

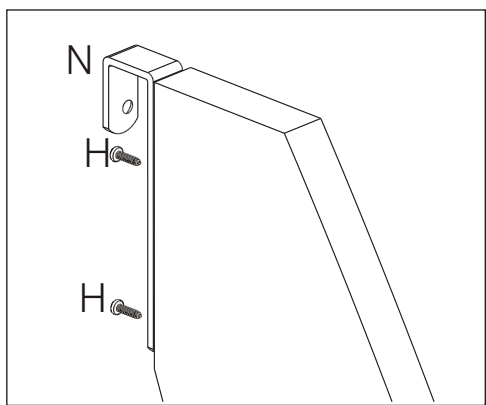
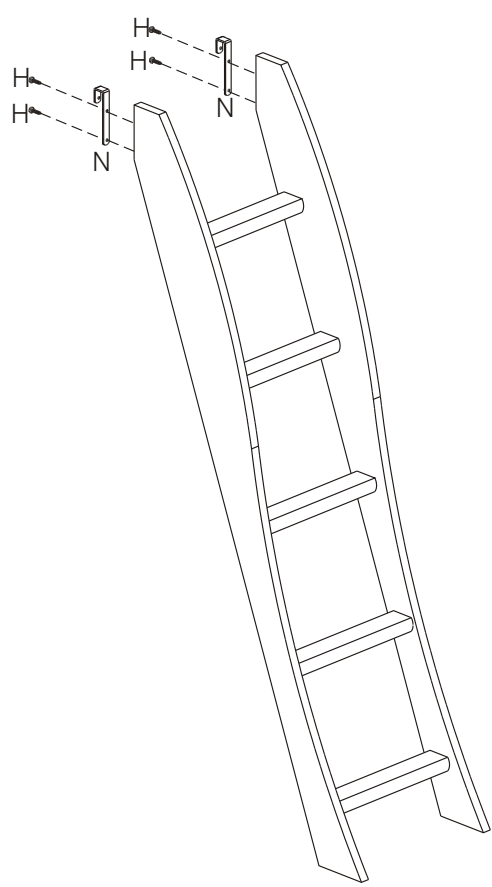



(4x)

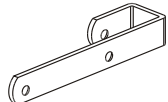


A  04
Ø8x30

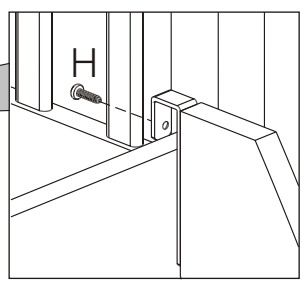
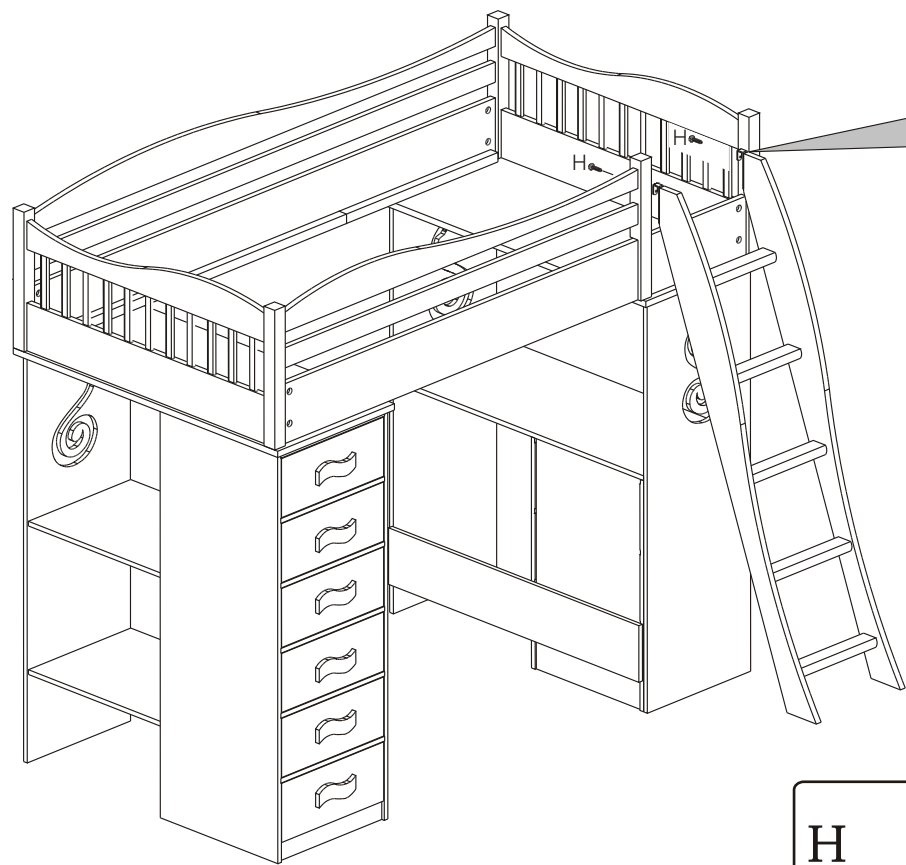
18




H  04
Ø3,5x16

N  02

19



H  02
Ø3,5x16

20

