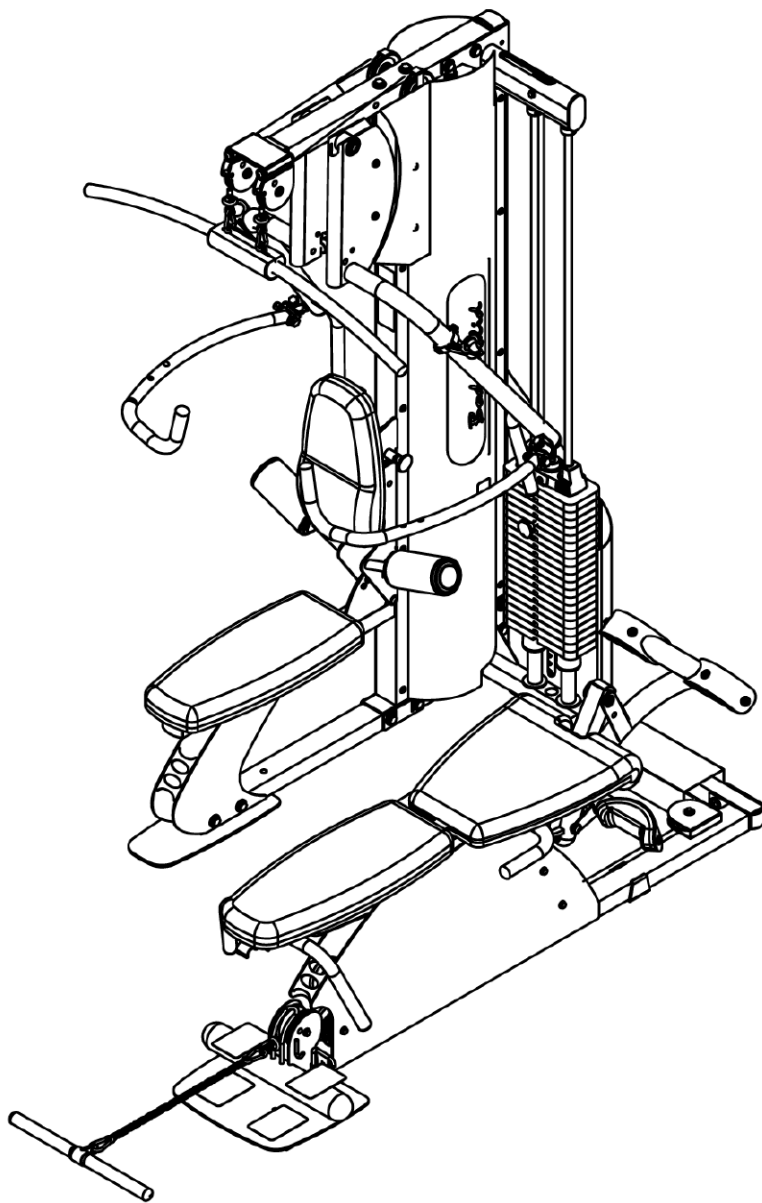


# Body-Solid

G81




















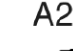








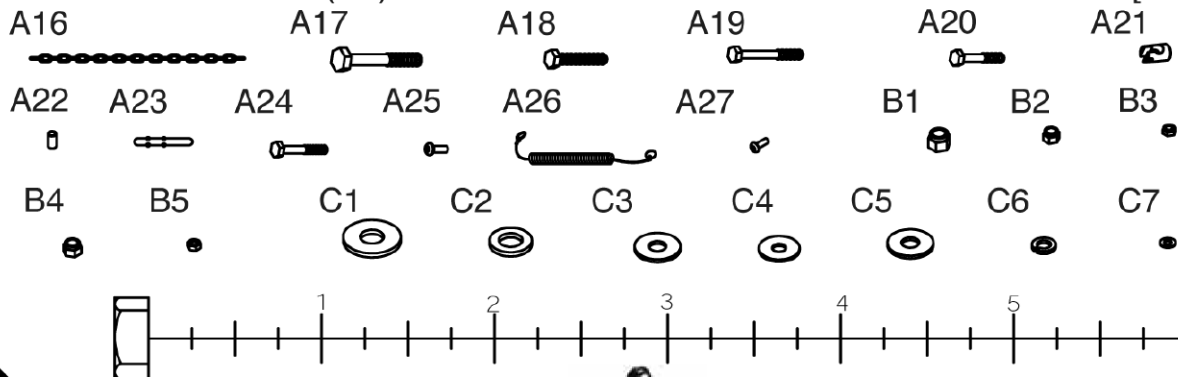
BODY-SOLID, Inc.  
1900 S. Des Plaines Ave.  
Forest Park, IL 60130 USA  
Phone:(708)427-3555  
Fax:(708)427-3556  
[www.bodysolid.com](http://www.bodysolid.com)

## G81 OWNER'S MANUAL

# G8I ASSEMBLY INSTRUCTIONS



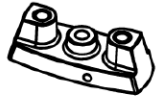



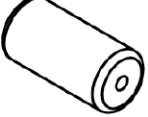


















## HARDWARE ILLUSTRATION

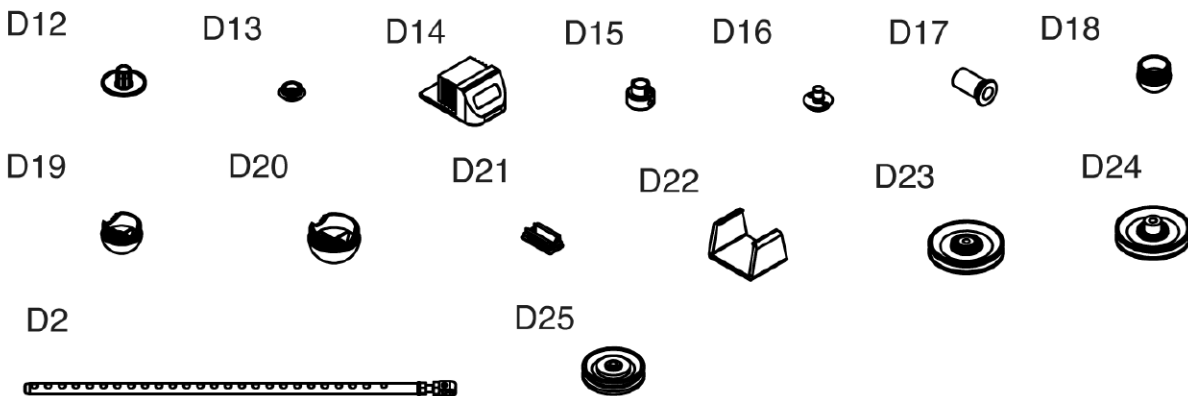
A1		A1. 1/2"X4 1/4" HEX HEAD BOLT-----	[10PCS]
A2		A2. 1/2"X3" HEX HEAD BOLT-----	[8PCS]
A3		A3. 1/2"X2 3/4" HEX HEAD BOLT-----	[1PCS]
A4		A4. 3/8"X4 1/4"HEX HEAD BOLT-----	[2PCS]
A5		A5. 3/8"X4" HEX HEAD BOLT-----	[4PCS]
A6		A6. 3/8"X3 3/4" HEX HEAD BOLT-----	[1PCS]
A7		A7. 3/8"X1 3/4" HEX HEAD BOLT-----	[8PCS]
A8		A8. 5/16"X2" HEX HEAD BOLT-----	[2PCS]
A9		A9. 5/16"X1" HEX HEAD BOLT-----	[14PCS]
A10		A10. 3/8"X2" ROUND BOLT-----	[1PCS]
A11		A11. 5/16"X3/4" ROUND BOLT-----	[8PCS]
A12		A12. M10x80L ROUND BOLT-----	[2PCS]
A13		A13. M10x65L ROUND BOLT-----	[4PCS]
A14		A14. M10x40L ROUND BOLT-----	[2PCS]
A15		A15. 10LB PIN(8250-071)-----	[1PCS]
		A16. STEEL CHAIN-----	[1PCS]
		A17. 1/2"X3 1/2" HEX HEAD BOLT-----	[2PCS]
		A18. 5/16"X1 3/4" HEX HEAD BOLT-----	[1PCS]
		A19. 3/8"X3" HEX HEAD BOLT-----	[2PCS]
		A20. 3/8"X2" HEX HEAD BOLT-----	[1PCS]
		A21. Firm sheath(8890-010)-----	[1PCS]
		A22. 1/2"x21 SLEEVE-----	[1PCS]
		A23. $\phi$ 10x85L PIN(8250-023)-----	[1PCS]
		A24. 1/2"X3 1/4" HEX HEAD BOLT-----	[1PCS]
		A25. M10X30L ROUND BOLT-----	[1PCS]
		A26. ELASTIC BELT-----	[1PCS]
		A27. M4X12L ROUND INNER HEX SCREW-----	[2PCS]
B1		B1. 1/2" Nylon Lock Nut-----	[19PCS]
B2		B2. 3/8" Nylon Lock Nut-----	[18PCS]
B3		B3. M10 Nylon Lock Nut-----	[9PCS]
B4		B4. 5/16" Nylon Lock Nut-----	[1PCS]
B5		B5. M4 Lock Nut-----	[2PCS]
C1		C1. 1/2"X $\phi$ 34 (I.D)WASHER-----	[33PCS]
C2		C2. 1/2"X $\phi$ 25 (I.D)WASHER-----	[8PCS]
C3		C3. 3/8" WASHER-----	[21PCS]
C4		C4. 5/16" WASHER-----	[26PCS]
C5		C5. M10 WASHER-----	[12PCS]
C6		C6. 5/16" SPRING WASHER-----	[24PCS]
C7		C7. M4(I.D) WASHER-----	[4PCS]



# G8I ASSEMBLY INSTRUCTIONS

## HARDWARE ILLUSTRATION

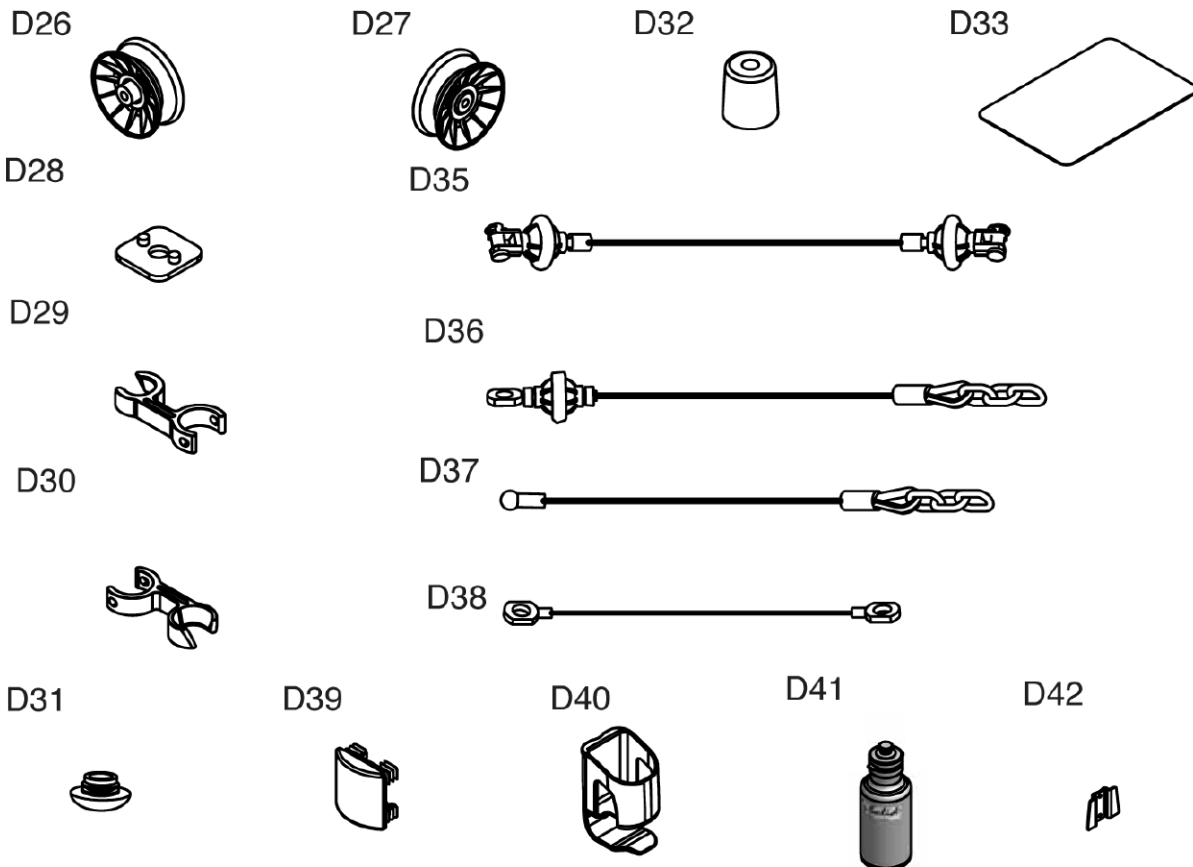
- D1  D1.  $\phi$ 3/4"X8L STEEL BUSHING (8110-014)-----[2PCS]
- D3  D2. WEIGHT SELECTOR BAR (8210-070A)-----[1PCS]
- D4  D3. PULLEY WHEEL BLOCK (8331-017)-----[7PCS]
- D5  D4. TOP PLATE (8400-006)-----[1PCS]
- D6  D5.  $\phi$ 16X19.5 STEEL BUSHING (8530-015)-----[2PCS]
- D7  D6.  $\phi$ 16X21.5 STEEL BUSHING (8530-010)-----[14PCS]
- D8  D7.  $\phi$ 8 SPRING SNAP LINK (8810-001)-----[5PCS]
- D9  D8.  $\phi$ 4"X8" FOAM ROLLER (9161-032)-----[2PCS]
- D10  D9. 2"X2"X1.8t END CAP (9211-087)-----[1PCS]
- D11  D10. 2"X2"X2.5t END CAP (9211-006)-----[2PCS]
- D12  D11. 2"X3" END CAP (9211-084)-----[2PCS]
- D13  D12.  $\phi$ 1"ROUND END CAP (9211-022)-----[2PCS]
- D14  D13.  $\phi$ 1 1/2" ROUND END CAP (9211-023)-----[6PCS]
- D15  D14. 2"X3" FOOT CAP (9211-026)-----[1PCS]
- D16  D15.  $\phi$ 3/4" SHAFT COLLAR (9211-046)-----[2PCS]
- D17  D16.  $\phi$ 21.5 ROUND END CAP (9211-060)-----[1PCS]
- D18  D17.  $\phi$ 16X27 STEEL BUSHING (8530-011)-----[2PCS]
- D19  D18.  $\phi$ 2" ROUND END CAP (9211-074)-----[2PCS]
- D20  D19.  $\phi$ 60 ROUND END CAP (9211-075)-----[2PCS]
- D21  D20.  $\phi$ 3" ROUND END CAP (9211-076)-----[2PCS]
- D22  D21. 30X60 END CAP (9211-078)-----[2PCS]
- D23  D22. 2"X3" RUBBER DOUNT (9212-011)-----[1PCS]
- D24  D23.  $\phi$ 4 1/4" PULLEY (9213-002C)-----[22PCS]
- D25  D24.  $\phi$ 4 1/4" PULLEY (9213-002D)-----[2PCS]
- D25  D25.  $\phi$ 3 1/2" PULLEY (9213-011A)-----[1PCS]



# G81 ASSEMBLY INSTRUCTIONS

## HARDWARE ILLUSTRATION

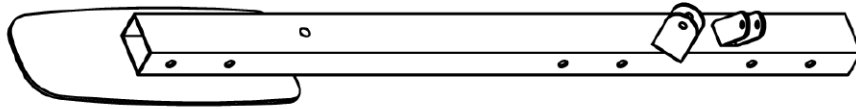
D26.	ø110X50 PULLEY (9213-022C)	-----	[2PCS]
D27.	ø110X50 PULLEY (9213-022B)	-----	[1PCS]
D28.	2"X2" RUBBER CANE CAP (9214-002)	-----	[2PCS]
D29.	ø51Xø38 FASTENING HOLDER (9219-003)	-----	[1PCS]
D30.	ø51Xø38 FASTENING HOLDER (9219-004)	-----	[1PCS]
D31.	ø1" ROUND END CAP (9260-021)	-----	[6PCS]
D32.	ø65X70L RUBBER DOUNT (9310-049)	-----	[2PCS]
D33.	95X140mm NO-SLIP TAPE (9310-035)	-----	[4PCS]
D35.	6855mm STEEL CABLE	-----	[1PCS]
D36.	5510mm STEEL CABLE	-----	[1PCS]
D37.	4215mm STEEL CABLE	-----	[1PCS]
D38.	1315mm STEEL CABLE	-----	[1PCS]
D39.	2"X2"X2.5t END CAP (9211-088)	-----	[2PCS]
D40.	BOTTLE HOLDER (9260-086)	-----	[1PCS]
D41.	BOTTLE (9260-107)	-----	[1PCS]
D42.	IMMOBILE BOARD (8388-025)	-----	[1PCS]



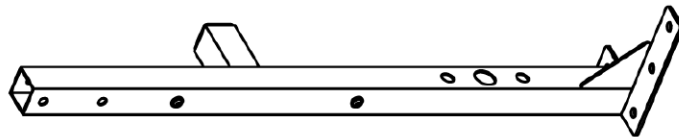
# G8I ASSEMBLY INSTRUCTIONS

## PARTS ILLUSTRATION SHEET

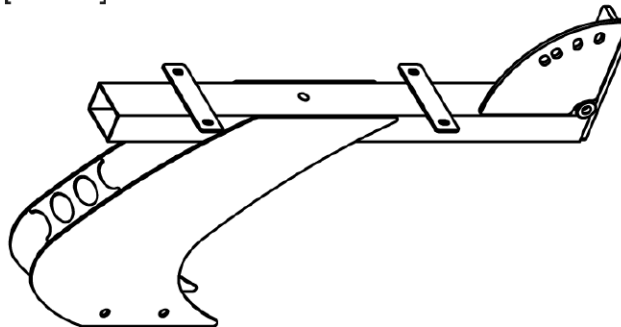
A [1PCS]



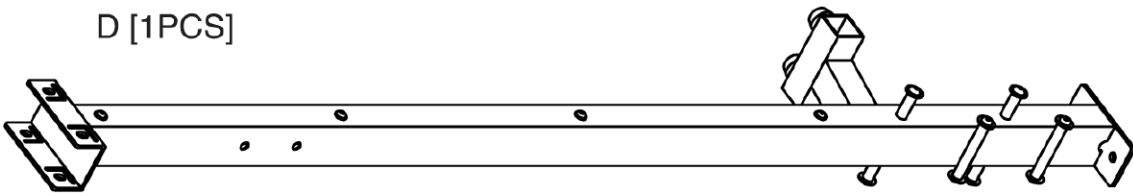
B [1PCS]



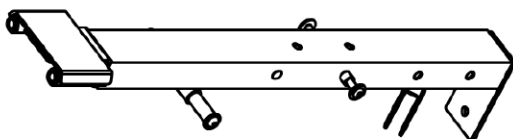
C [1PCS]



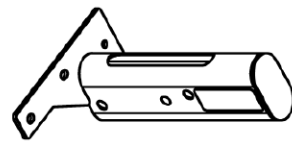
D [1PCS]



E [1PCS]



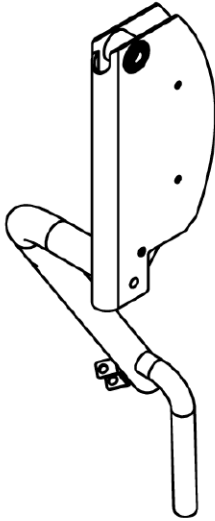
F [1PCS]



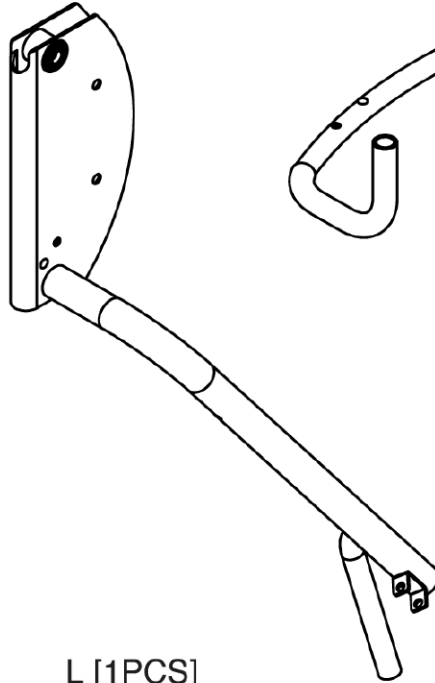
# G8I ASSEMBLY INSTRUCTIONS

## PARTS ILLUSTRATION SHEET

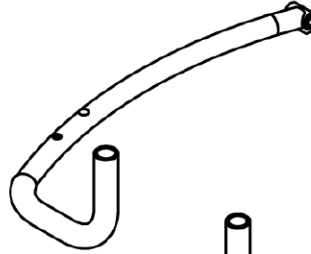
H [1PCS]



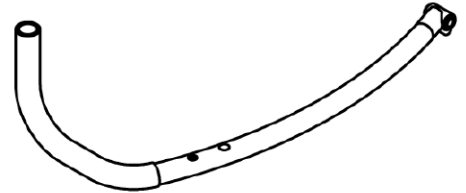
G [1PCS]



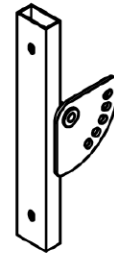
I [1PCS]



J [1PCS]



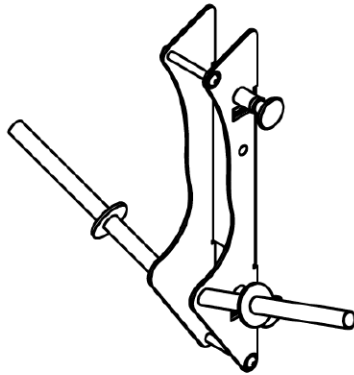
M [1PCS]



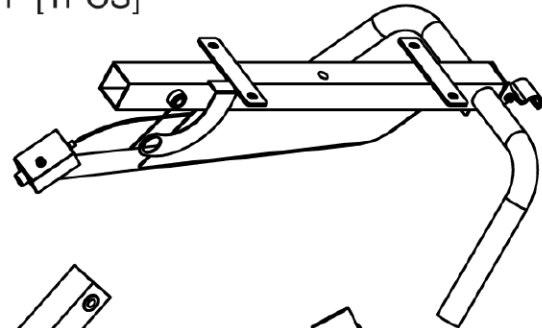
K [2PCS]



L [1PCS]



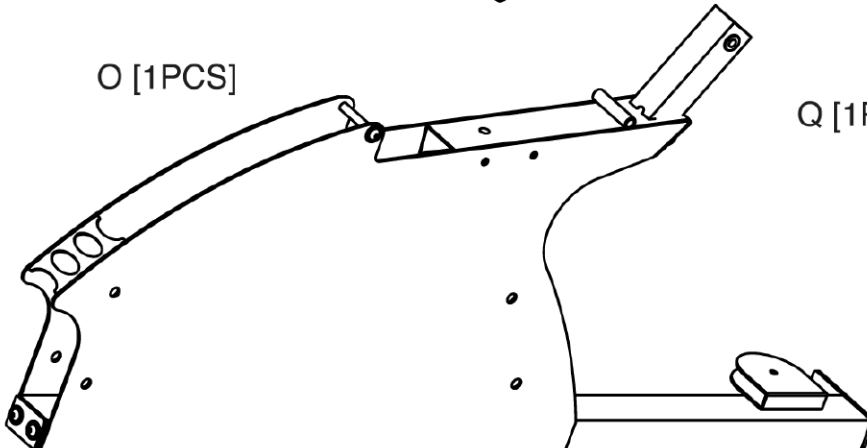
P [1PCS]



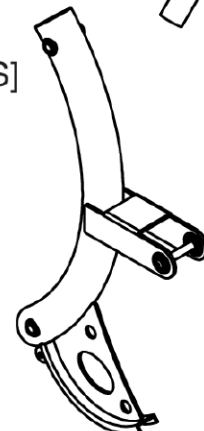
N [2PCS]



O [1PCS]



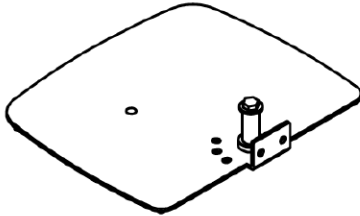
Q [1PCS]



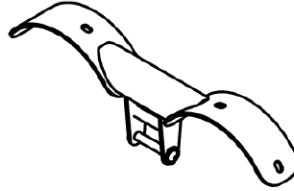
# G8I ASSEMBLY INSTRUCTIONS

## PARTS ILLUSTRATION SHEET

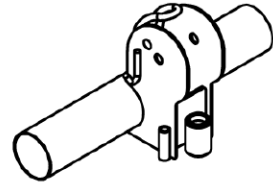
R [1PCS]



S [2PCS]



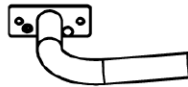
T [1PCS]



U [1PCS]



V [1PCS]



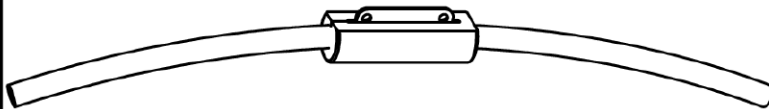
W [1PCS]



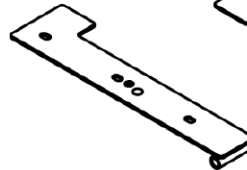
Y [2PCS]



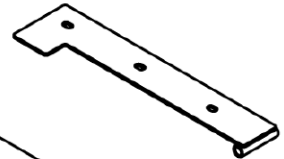
Z [1PCS]



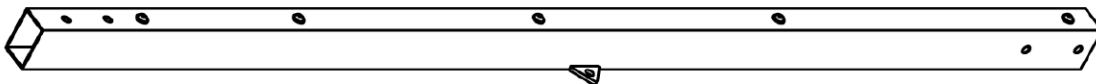
AA [1PCS]



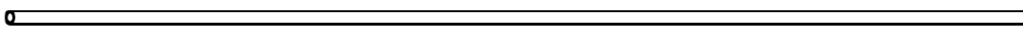
X [1PCS]



AB [1PCS]



AC [2PCS]



AD [1PCS]



AE [4PCS]



AF [1PCS]



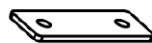
AG [1PCS]



AH [1PCS]



AI [1PCS]



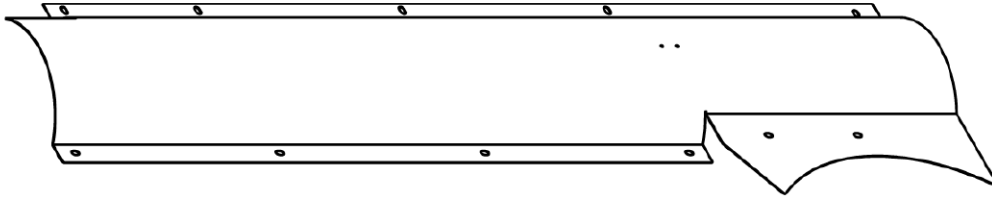
AU [1PCS]



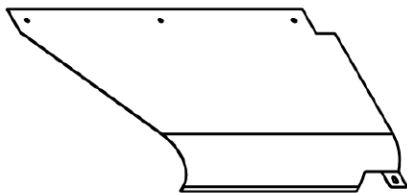
# G8I ASSEMBLY INSTRUCTIONS

## PARTS ILLUSTRATION SHEET

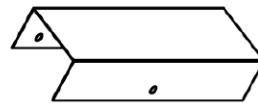
AI [1PCS]



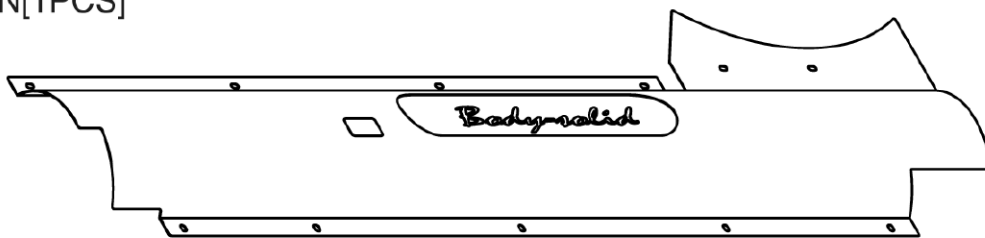
AJ [1PCS]



AL [1PCS]



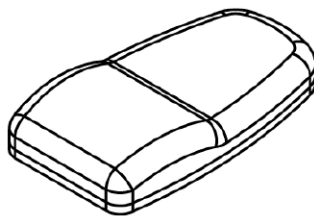
AN[1PCS]



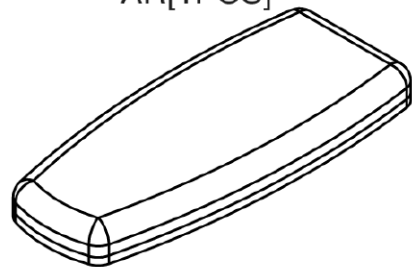
AP[4PCS]



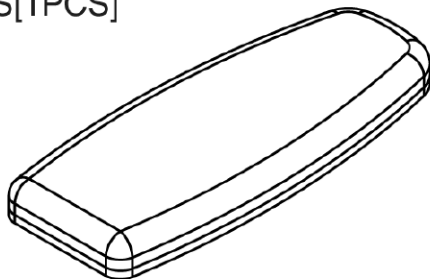
AQ[1PCS]



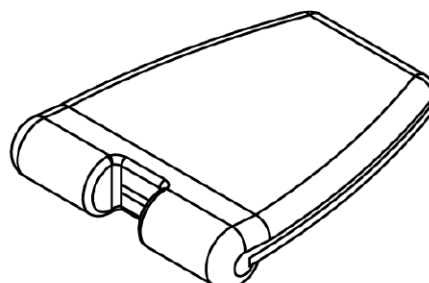
AR[1PCS]



AS[1PCS]

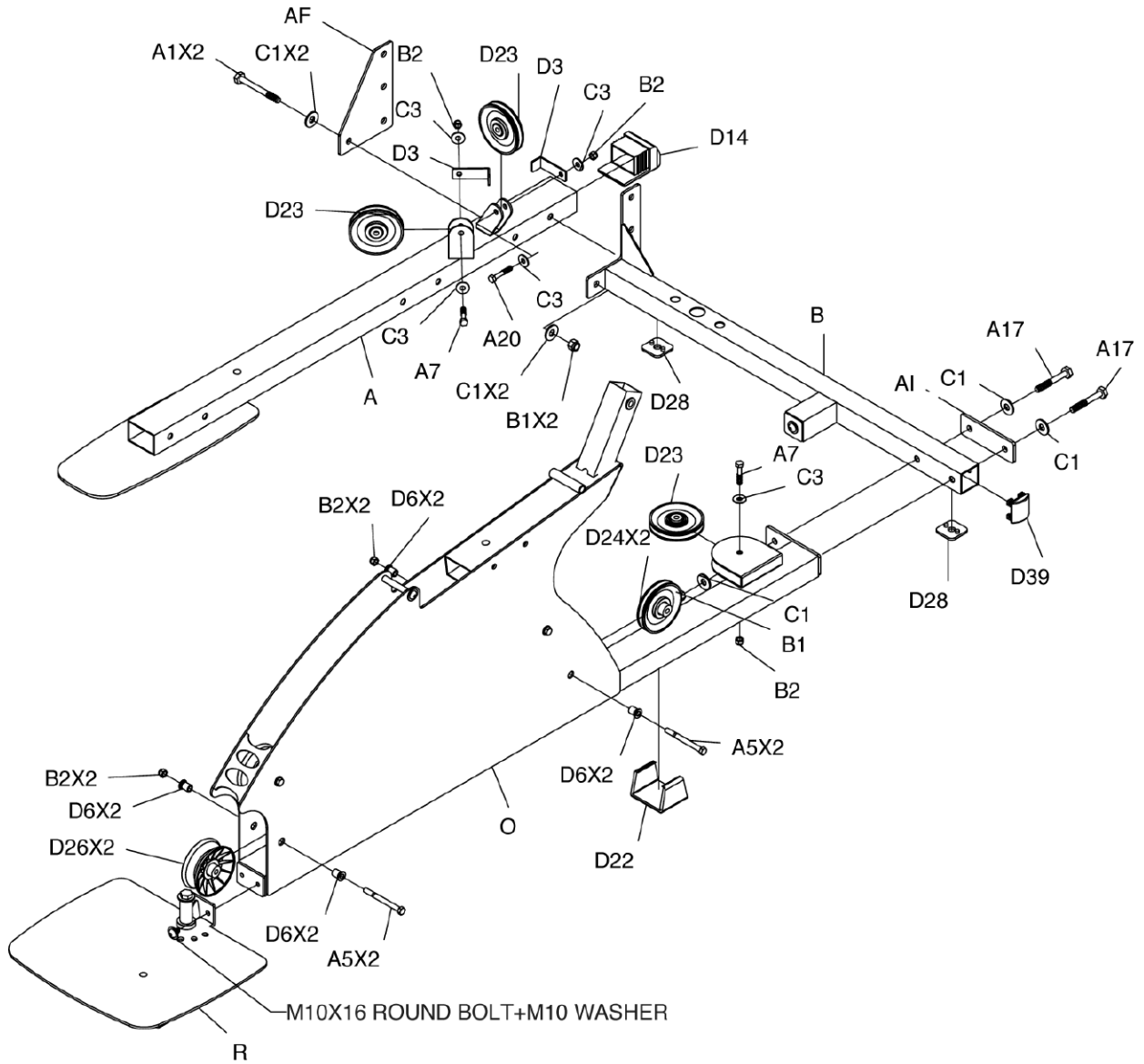


AT[1PCS]



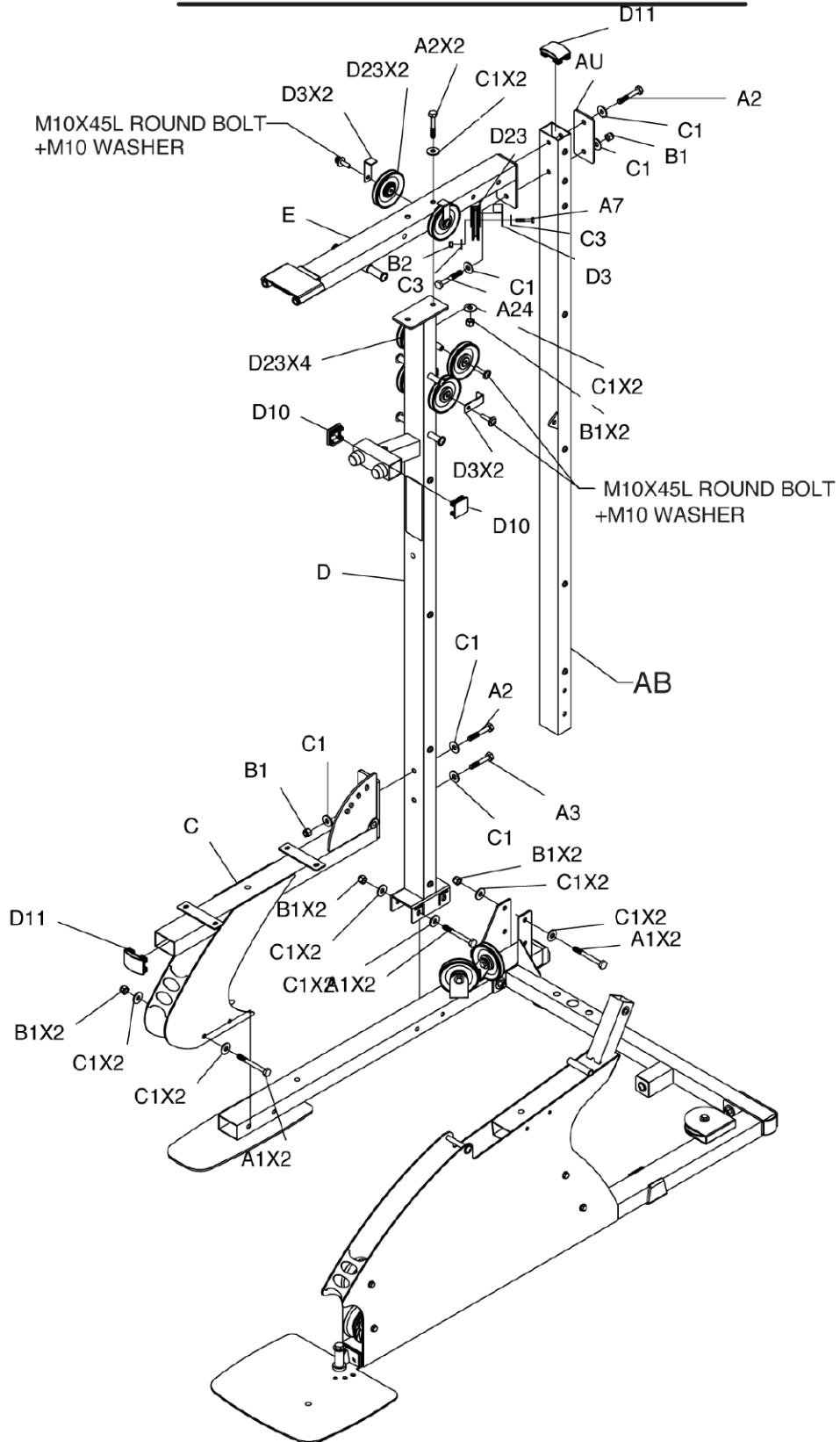
# G8I ASSEMBLY INSTRUCTIONS

## ASSEMBLY STEP 1



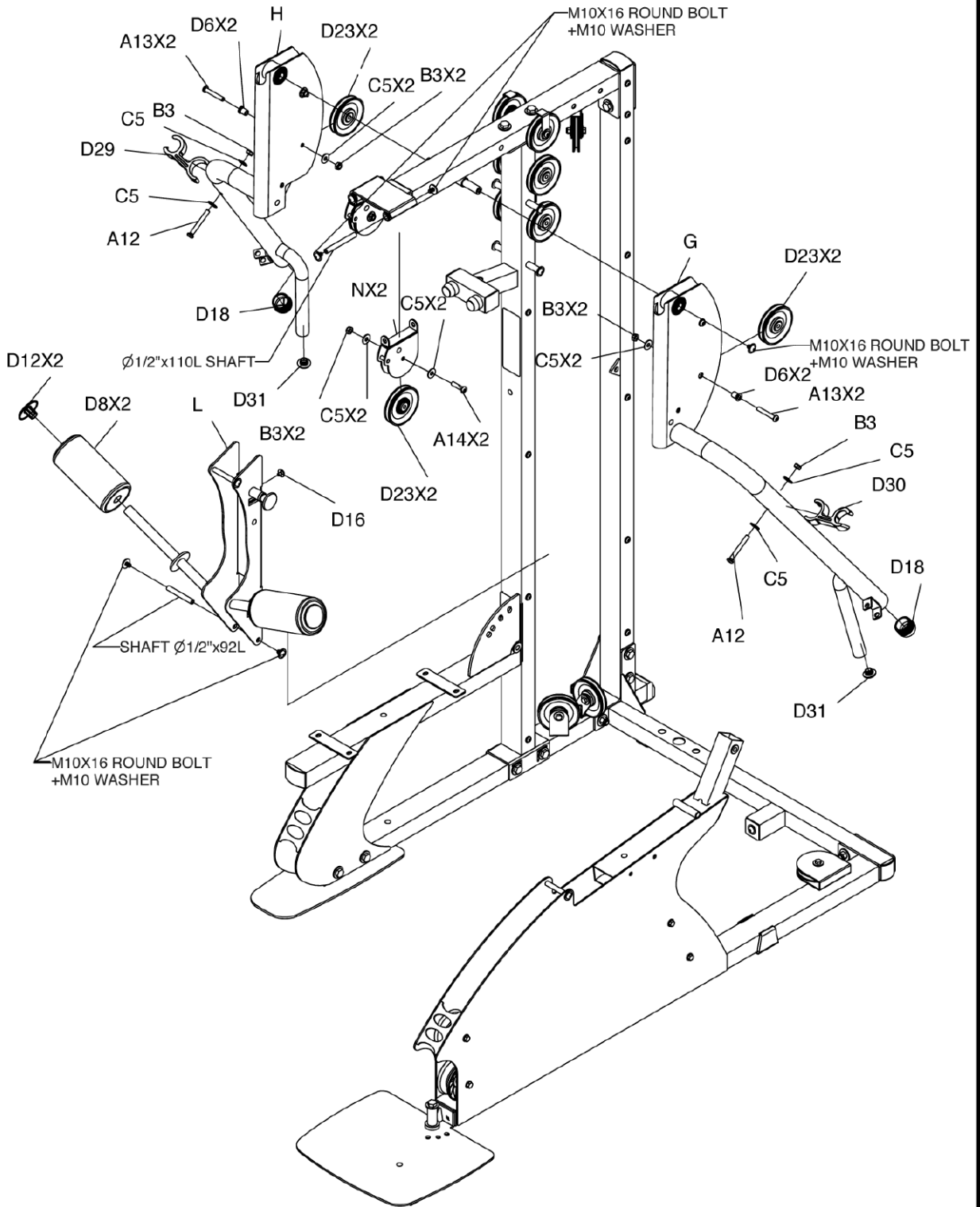
# G8I ASSEMBLY INSTRUCTIONS

## ASSEMBLY STEP 2



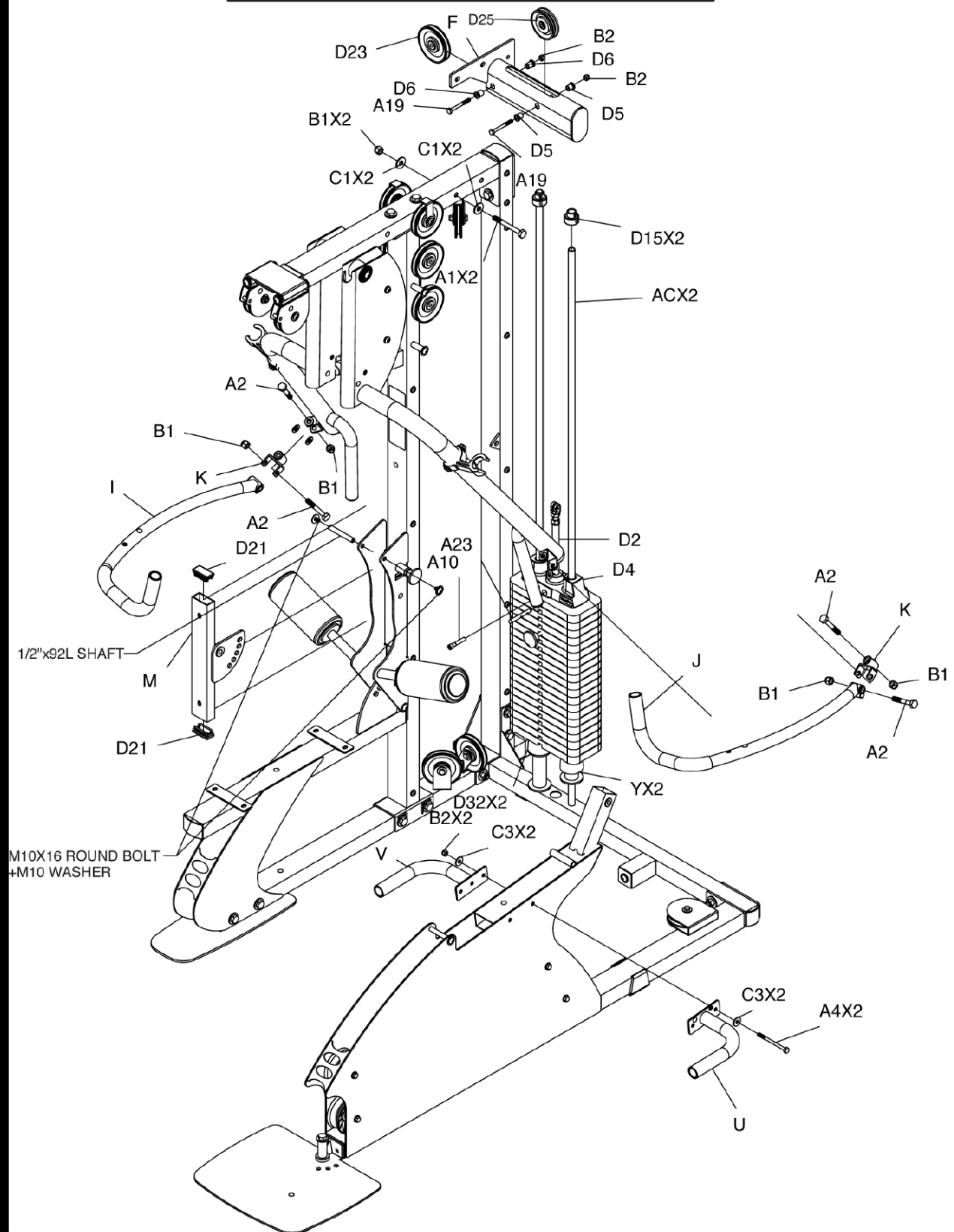
# G8I ASSEMBLY INSTRUCTIONS

## ASSEMBLY STEP 3



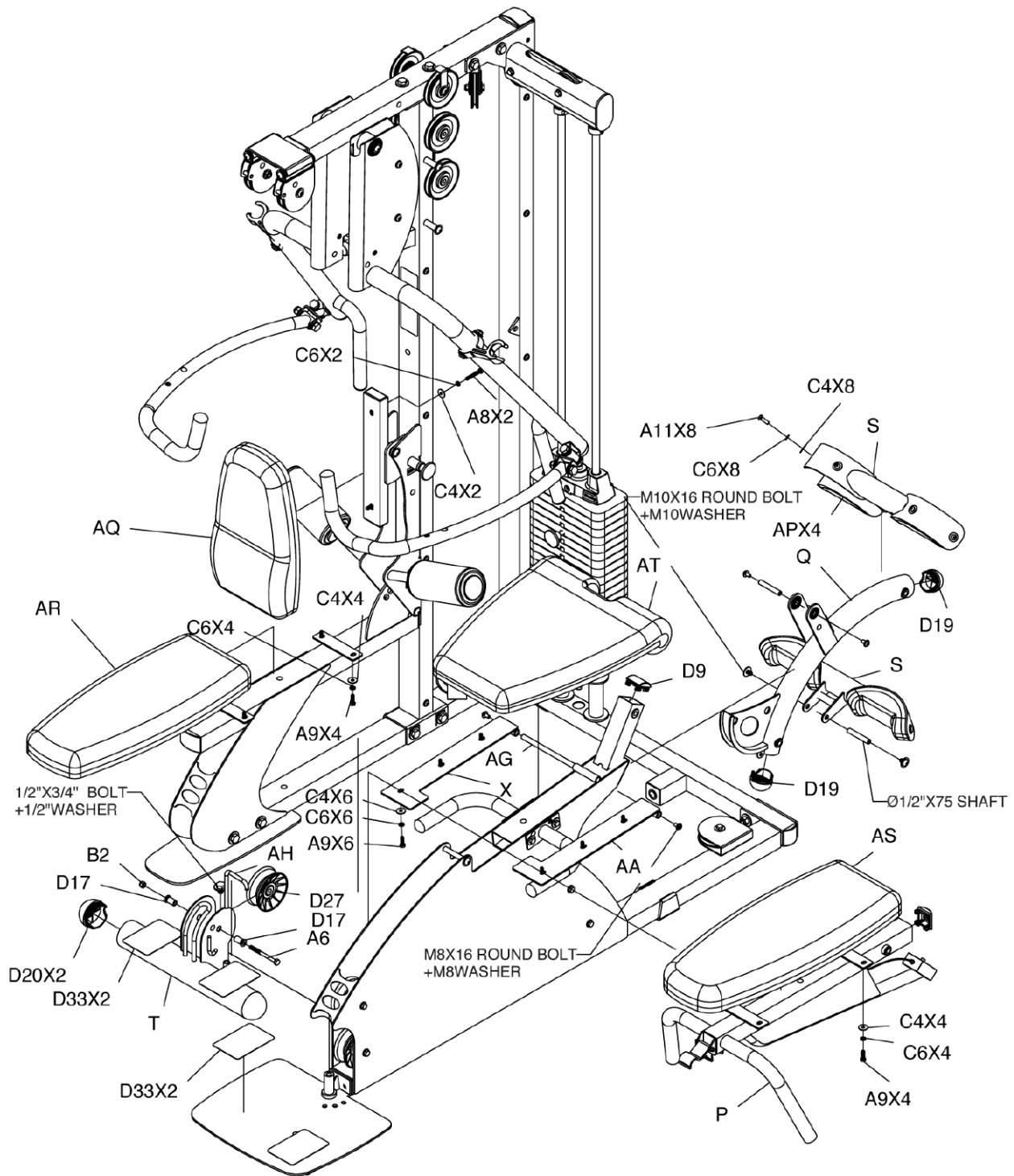
# G8I ASSEMBLY INSTRUCTIONS

## ASSEMBLY STEP 4



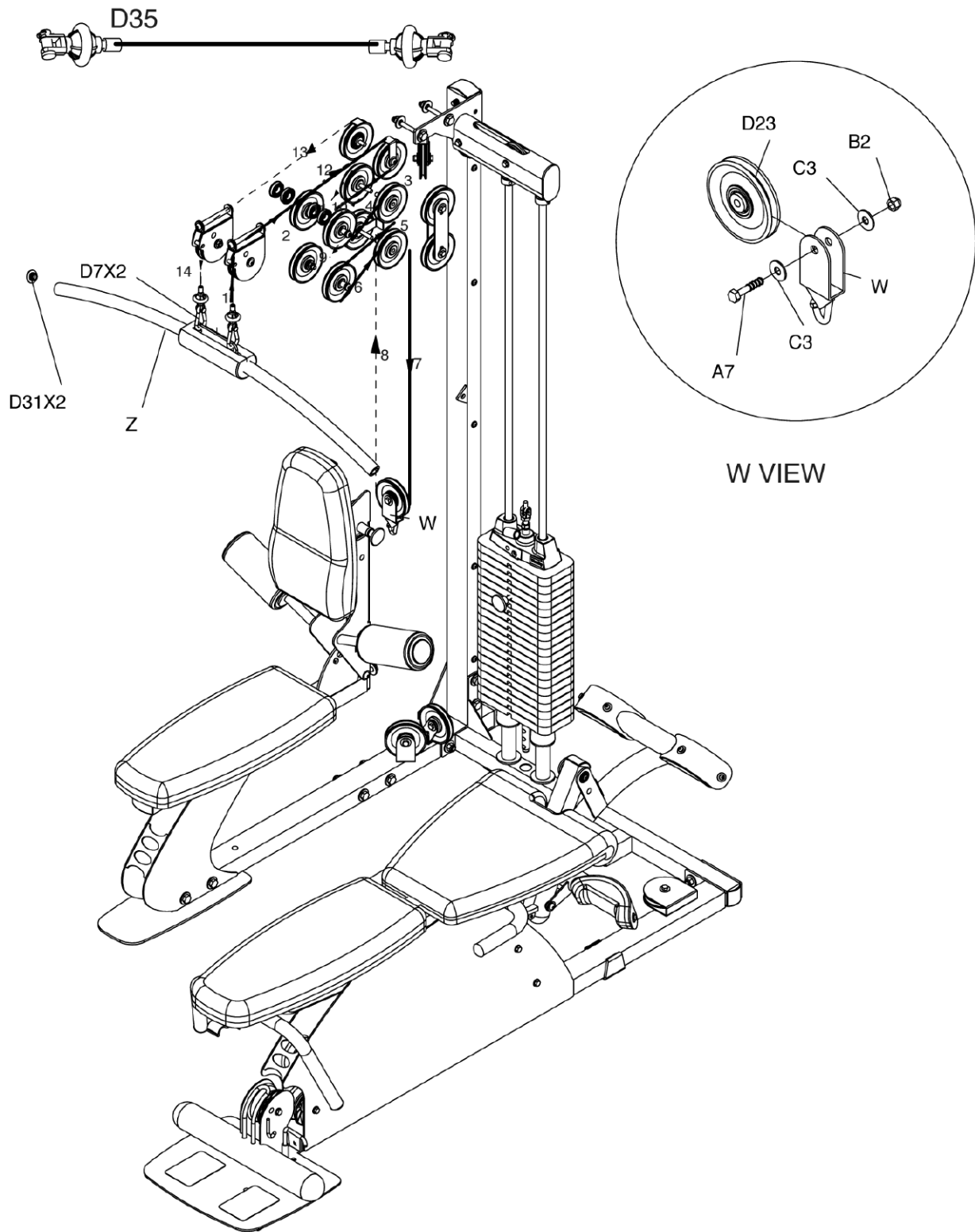
# G8I ASSEMBLY INSTRUCTIONS

## ASSEMBLY STEP 5



# G8I ASSEMBLY INSTRUCTIONS

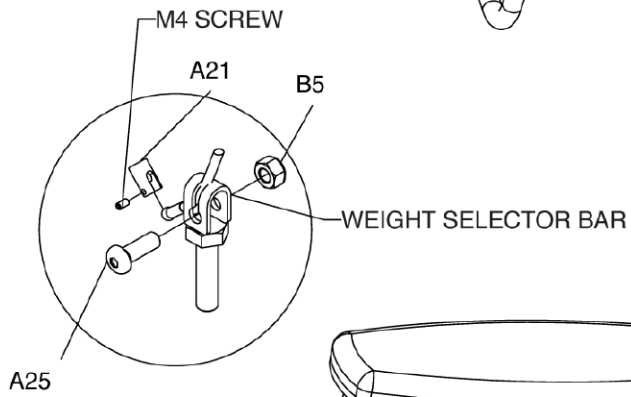
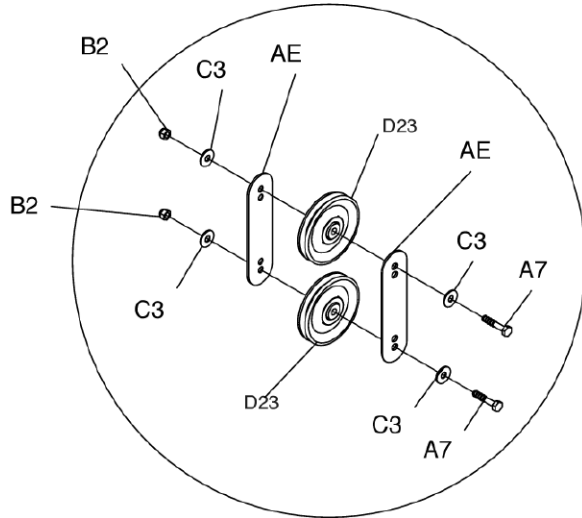
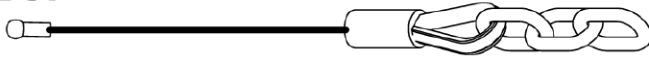
## Wire Rope illustration 1



# G8I ASSEMBLY INSTRUCTIONS

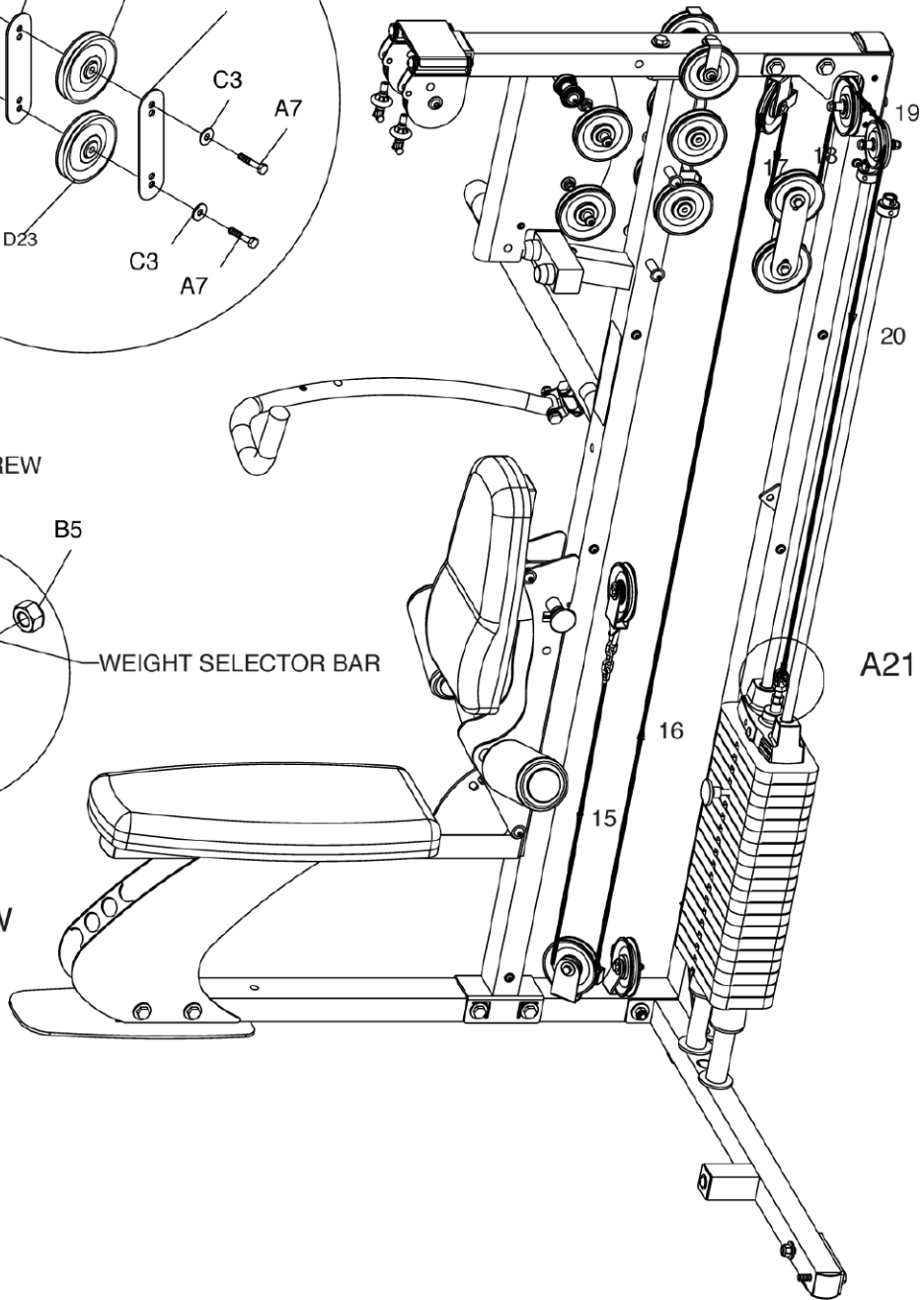
## Wire Rope illustration 2

D37



A25

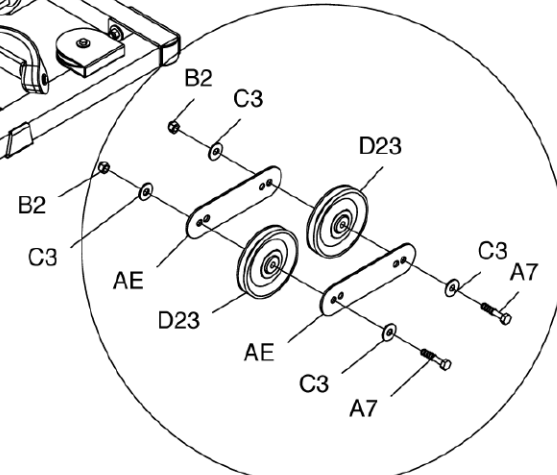
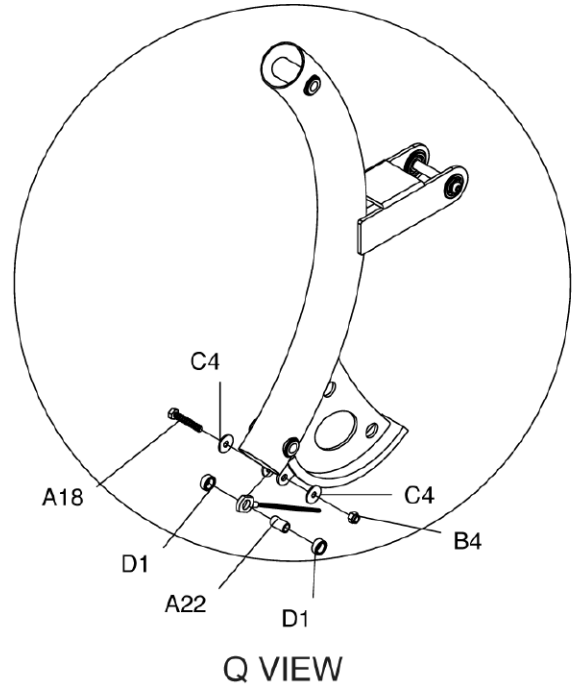
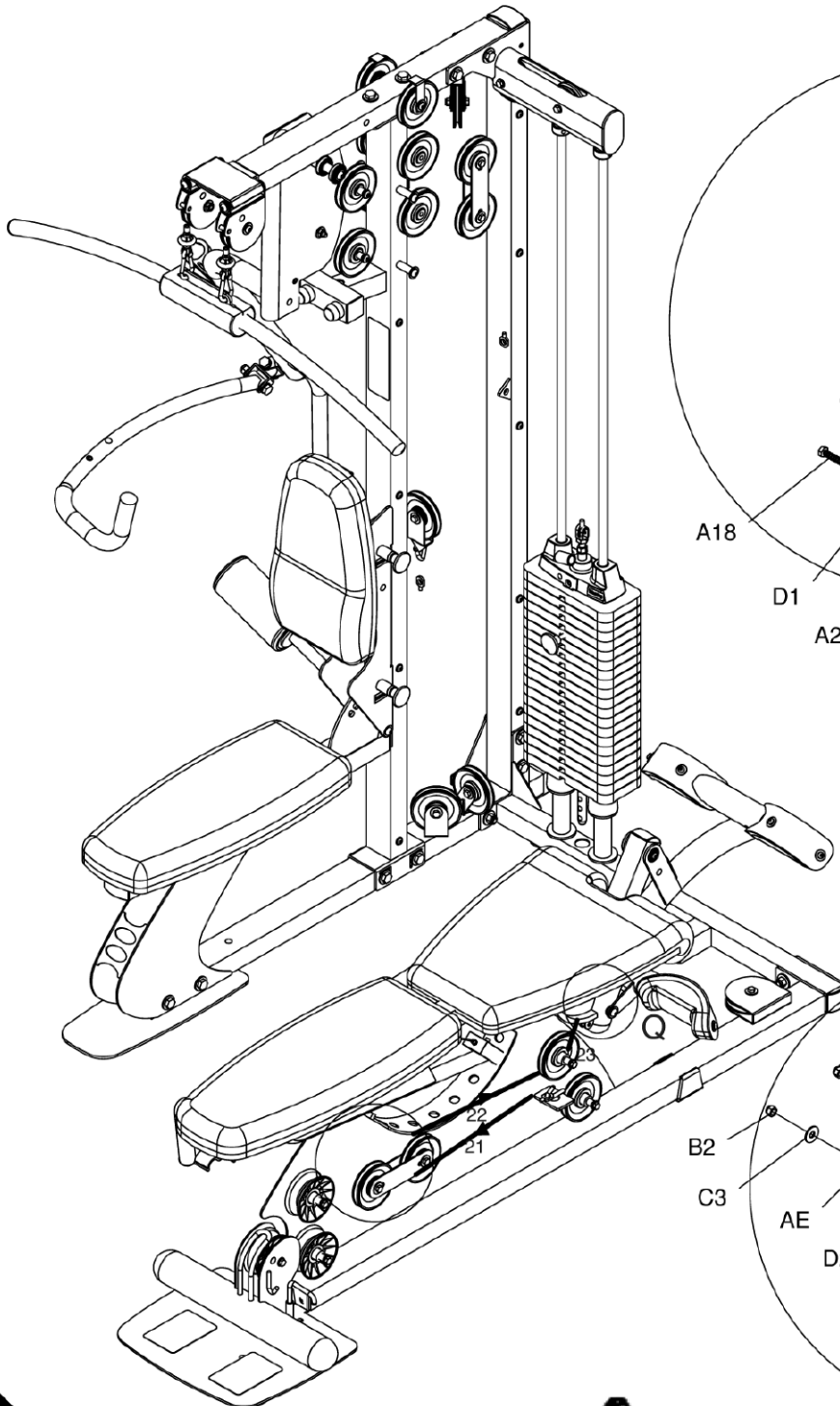
A21 VIEW



# G81 ASSEMBLY INSTRUCTIONS

## Wire Rope illustration 3

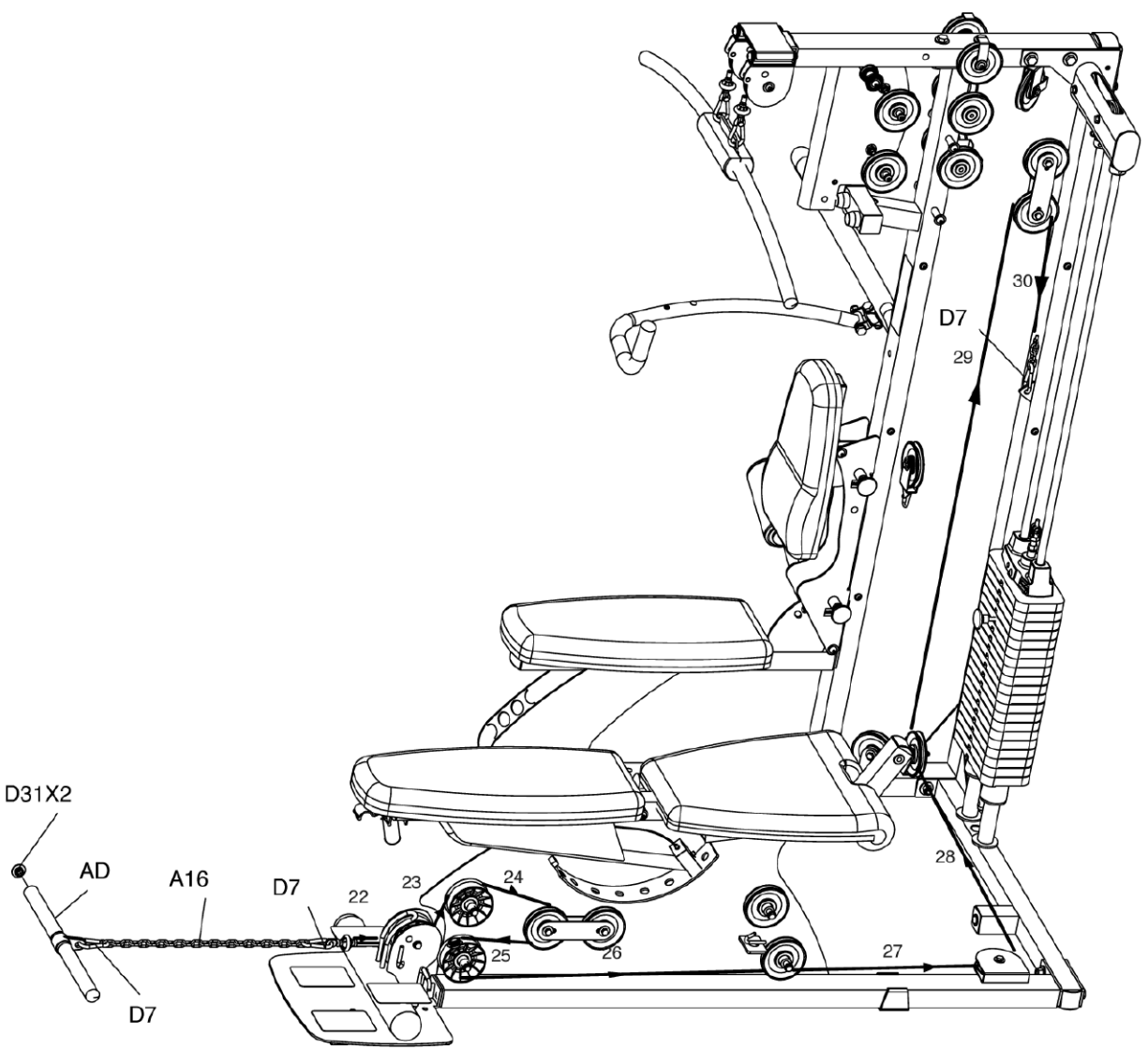
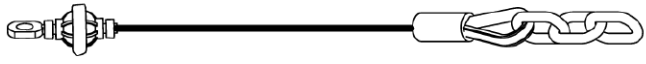
D38



# G8I ASSEMBLY INSTRUCTIONS

## Wire Rope illustration 4

D36



# G8I ASSEMBLY INSTRUCTIONS

## ASSEMBLY STEP 6

