



Congratulations on the purchase of your new DMI Sports Table hockey table. Our products are designed and manufactured to give you years of game playing enjoyment.

KEEP BOX AND PACKING MATERIAL UNTIL TABLE HAS BEEN COMPLETELY ASSEMBLED.

ALL DAMAGE MUST BE REPORTED TO DMI WITHIN TEN DAYS OF RECEIPT.

If you have any problems with your new product,

PLEASE DO NOT RETURN IT TO THE STORE.

Please contact us:

1.800.399.4402

FAX: 215.283.9573

Please have your model number when inquiring about parts.

Or write to:

DMI Sports

Customer Service

375 Commerce Drive

Fort Washington PA, 19034

Please visit our web site at:

www.dmisports.com

When contacting DMI Sports, please provide your model number and item number (if applicable) if requesting a replacement part. Item numbers can be found inside this owners manual.

Your Model Number **HT120**

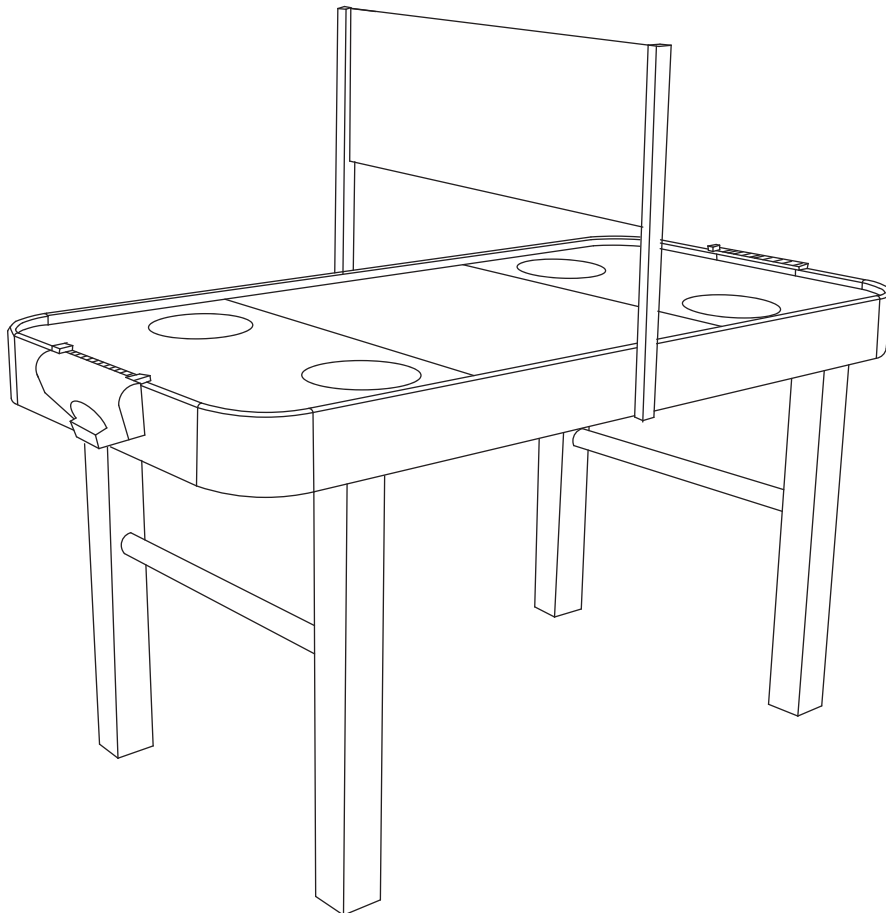
Your model number is also located on the original carton. These instructions are also available online at: www.dmisports.com.

IMPORTANT!

Please Keep Your Instructions! (You will need your Model number should you need to contact us.) Before attempting assembly, please read through this instruction book to familiarize yourself with all the parts and assembly steps. We recommend that two adults assemble this table. Please refer to the Parts Identifier on the following page and be sure that all parts have been included. Although extremely rare, occasionally a part may be missing. If you are missing a part, or if you have any questions, please call our customer service department at 1.800.399.4402 Mon-Fri between the hours of 9:00am and 5:00pm E.S.T; or you can reach us at: www.dmisports.com.

Do not return the game to the store. Please contact us first at: 1.800.399.4402 or on our website at: www.dmisports.com.

TWO ADULTS ARE REQUIRED TO ASSEMBLE THIS HOCKEY TABLE

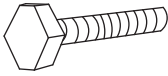
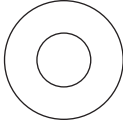
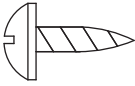
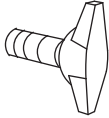


TOOLS REQUIRED FOR ASSEMBLY:

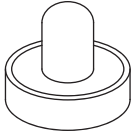

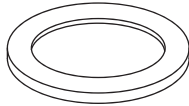

- Phillips Head Screw driver- Not Included
- Level recommended- Not Included
- Wrench - Included

PARTS IDENTIFIER

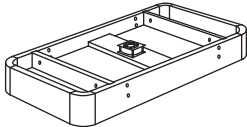


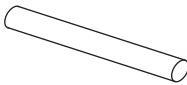
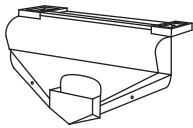

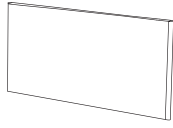

HARDWARE PARTS

H1	Qty. 12	H2	Qty. 12	H3	Qty. 8	H4	Qty. 4
							
Leg Bolt RPHT120-HKIT		Washer, Leg RPHT120-HKIT		1/2" Screw RPHT120-HKIT		Thumb Screw RPHT120-HKIT	

ACCESSORY PARTS

A1	Qty. 2	A2	Qty. 2	A3	Qty. 2	H5	Qty. 1
							
Pusher RPHT-SMPUSHER		Pusher Felt RPHT-SMFELT		Small Puck RPHT-SMPUCK		Multi Wrench RPHT-MWRENCH	

ASSEMBLY PARTS

P1	Qty. 1	P2	Qty. 2	P3	Qty. 2	P4	Qty. 2
							
Main Frame		Left Leg RPHT120-LLEG		Right Leg RPHT120-RLEG		Crossbar RPHT120-CROSS	
P5	Qty. 2	P6	Qty. 2	P7	Qty. 1	P8	Qty. 2
							
Goal RPHT120-GOAL		Blind Post RPHT120-POST		Extreme™ Blind RPHT120-BLIND		Blind Stent RPHT120-STENT	

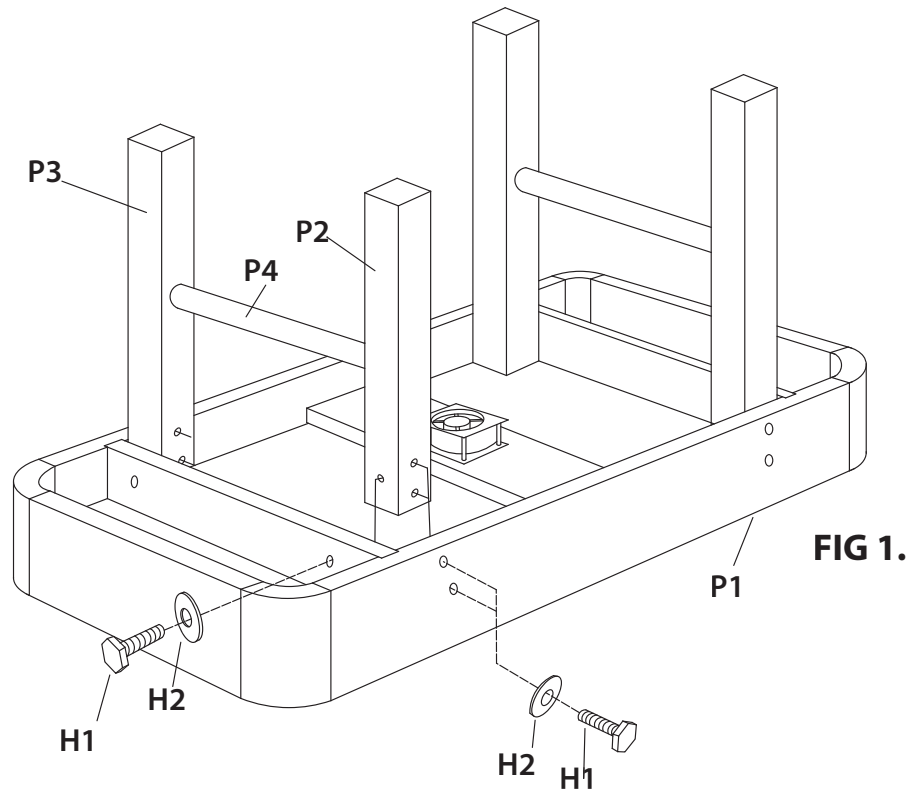
ASSEMBLY

NOTE: Please leave Main Frame (P1) face down in the carton that it ships in until the legs are attached. All images are shown UP-SIDE-DOWN until the table is turned up on its legs. Unpack all contents and lay out on the floor. Verify all parts listed on parts list are present.

STEP 1.

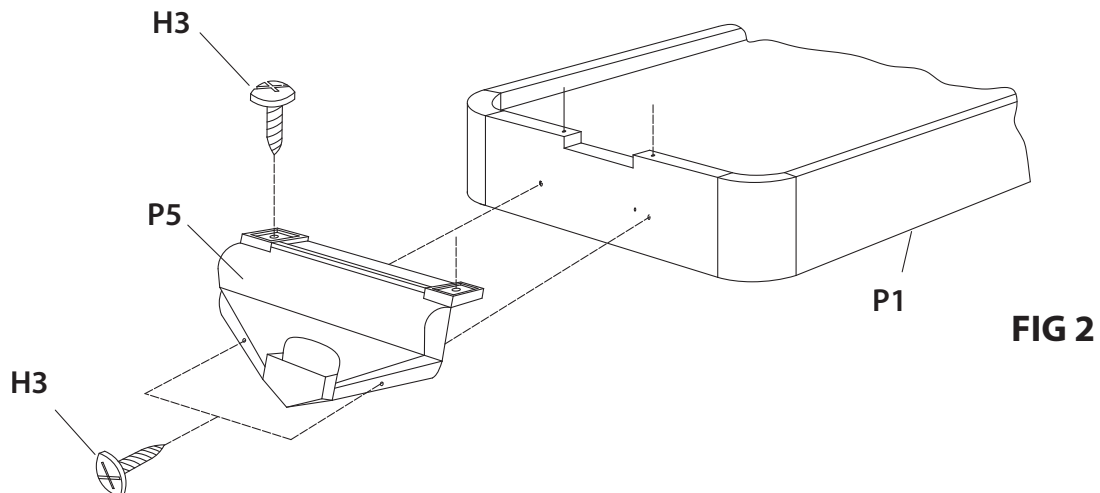
Attach the Left Leg (P2) and Right Leg (P3) to the Main Frame (P1) as shown in FIG 1. Secure one leg using Leg Bolt (H1) and Washer (H2) before placing the Crossbar (P4) between the left and right legs. Once the Crossbar is in place, secure the second leg. Repeat this step for the second pair of legs on the other end of the table before turning the table over onto its legs. Two adults should turn the table over. Be careful not to rest the table on its side as this may damage the legs.

Note: Do not turn table over during assembly without assistance. Applying sideways pressure on the legs will result in breakage, which is not covered by the warranty.



STEP 2.

When the table is turned over onto its legs, attach the Goal (P5) on both ends of the table using Screw (H3) as shown in FIG 2.



ASSEMBLY

STEP 3.

Attach Blind Posts (P6) on each side of the table using Thumb Screw (H4). Be sure to attach the blind posts with the tracks facing the table. Carefully slide the Blind Stents (P8) into the Blind (P7) before inserting the blind in between the two posts. Set it to your desired height. The Extreme™ blind is removable if traditional play is desired.

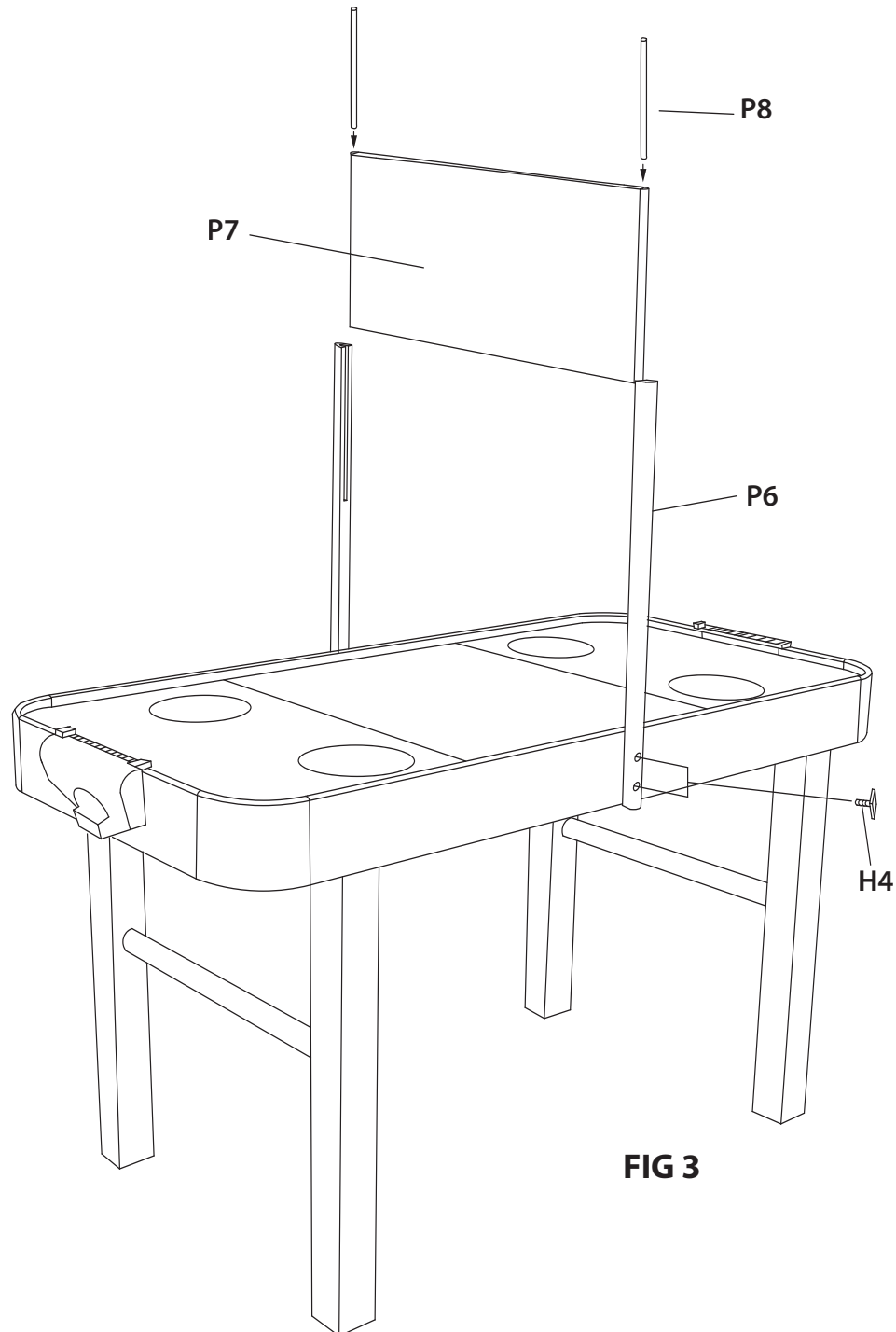


FIG 3

