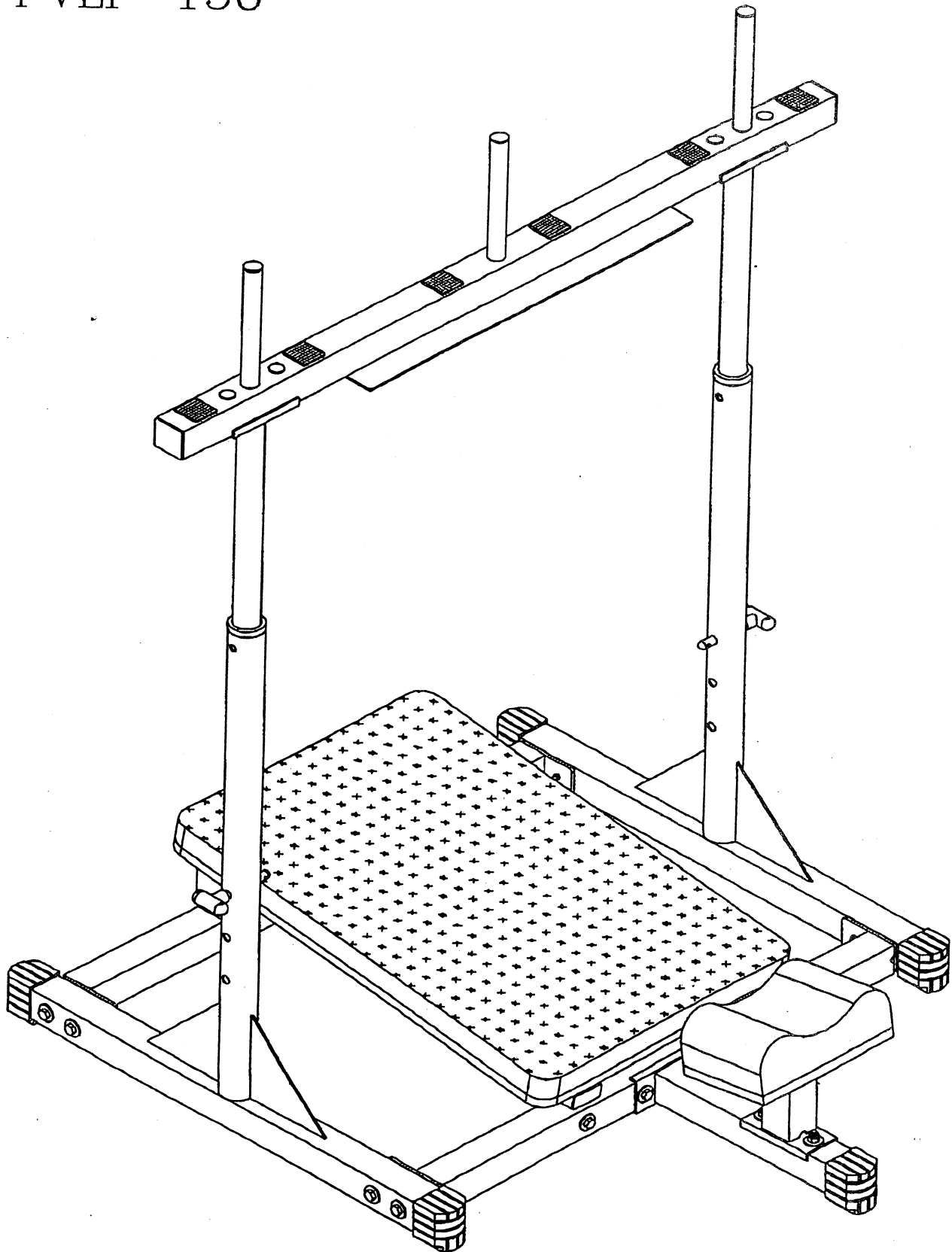


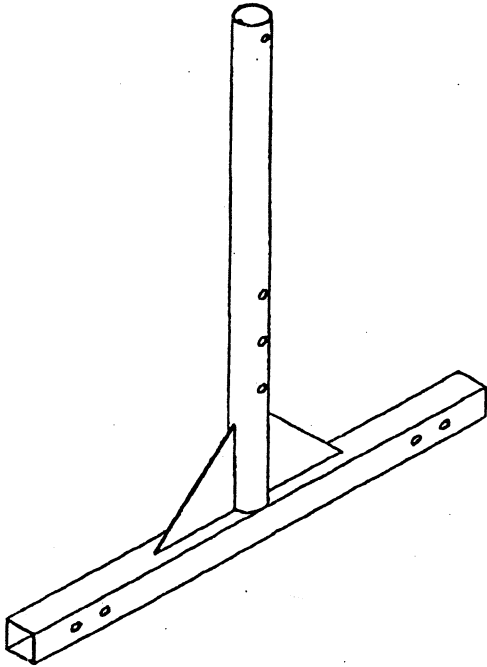
PVLP-156



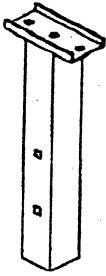
VERSION 0210

PVLP-156 PARTS ILLUSTRATION SHEET

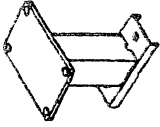
A [2PCS]



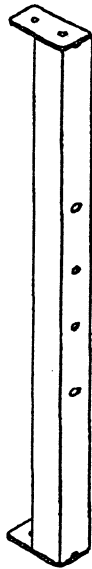
F [1PCS]



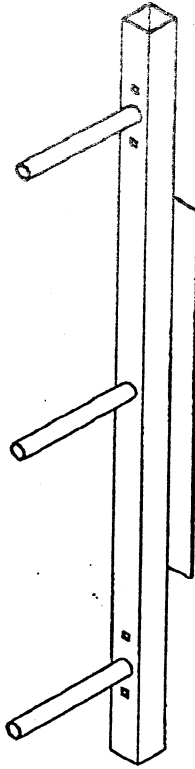
G [1PCS]



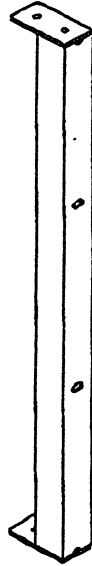
B [1PCS]



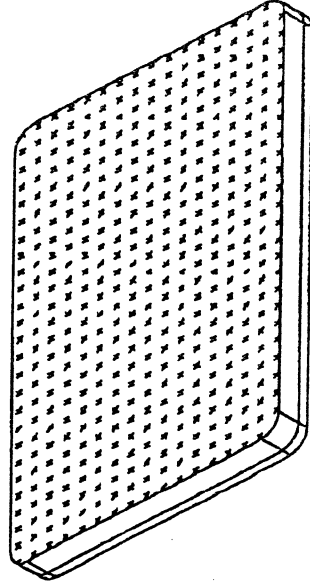
H [1PCS]



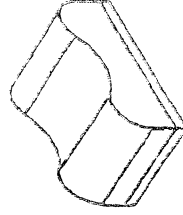
C [1PCS]



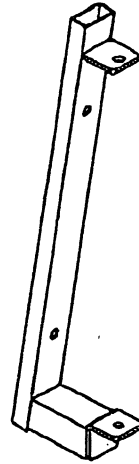
I [1PCS]



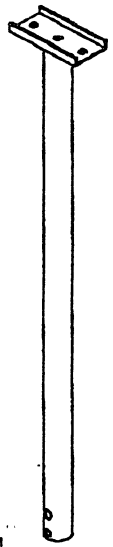
J [1PCS]



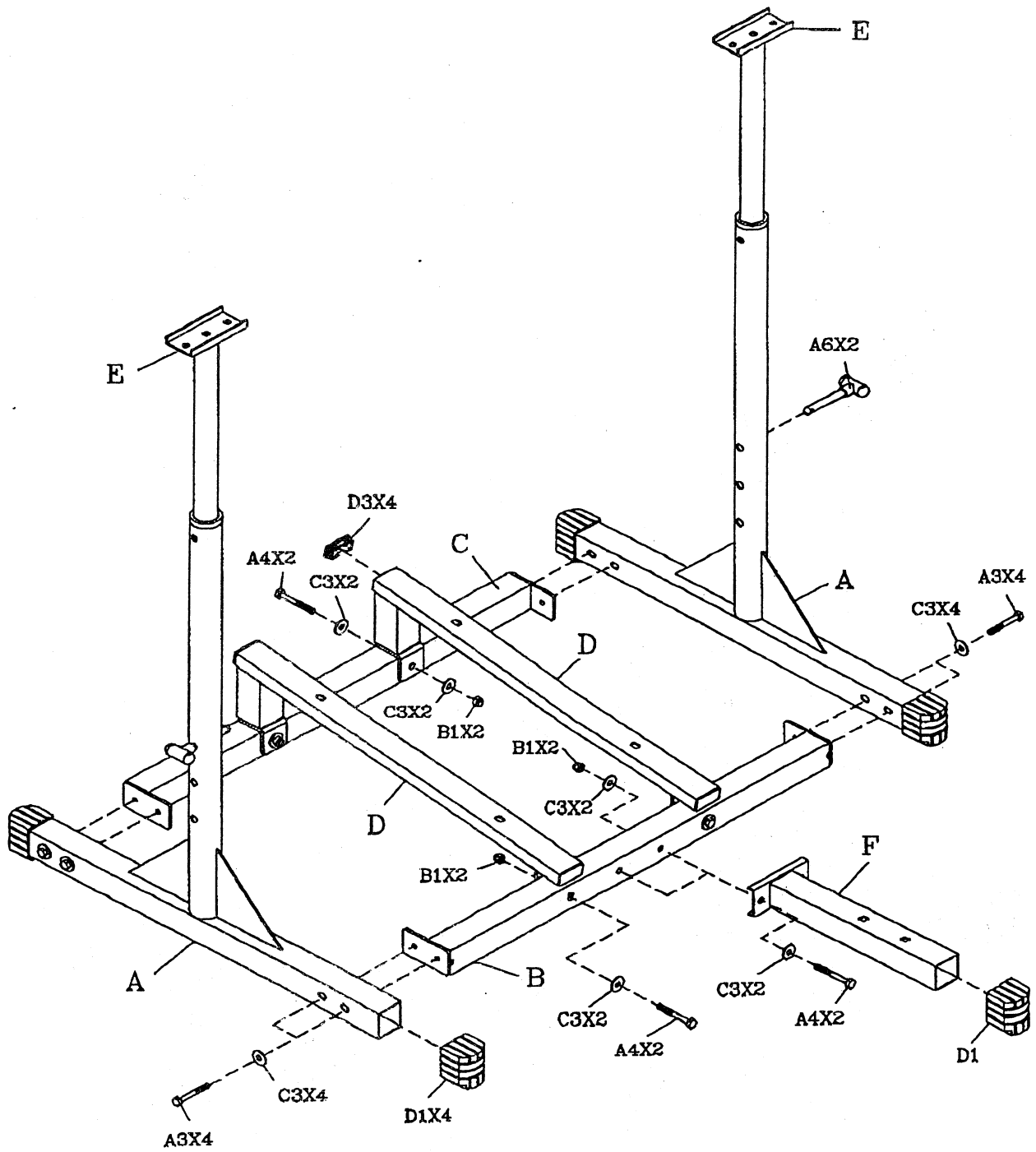
D [2PCS]



E [2PCS]



PVLP-156



PVLP-156

