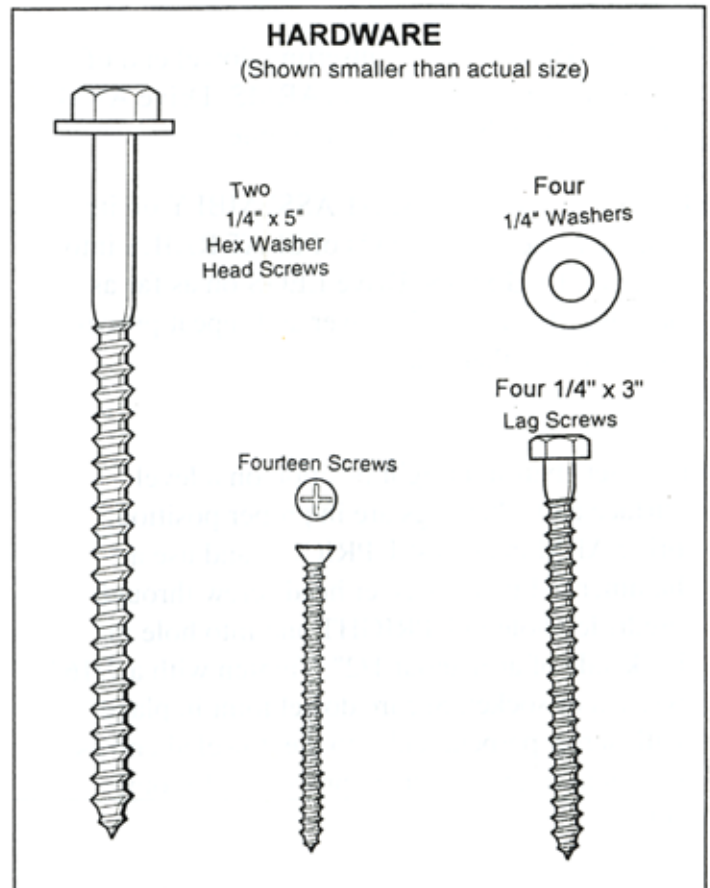
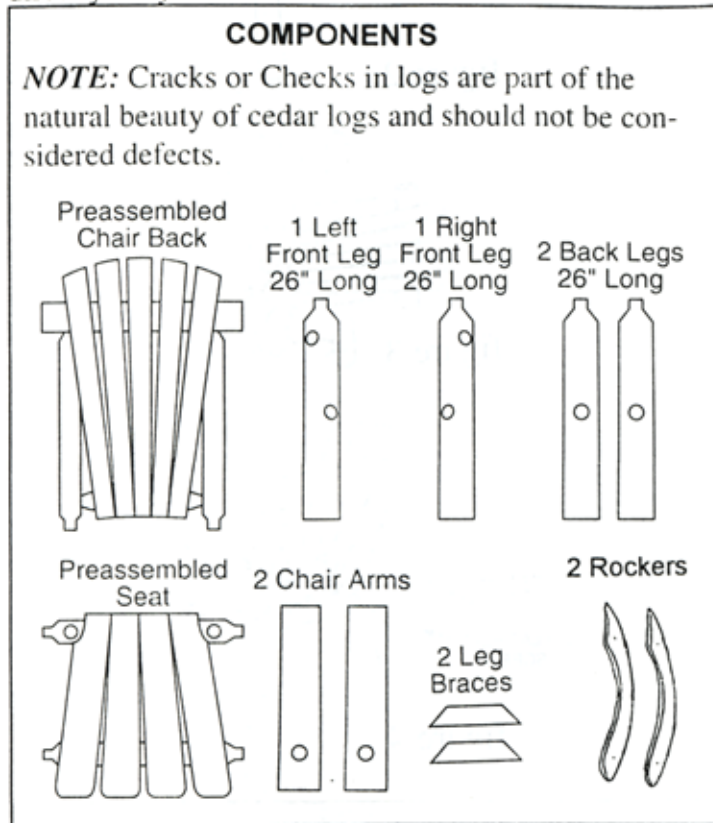
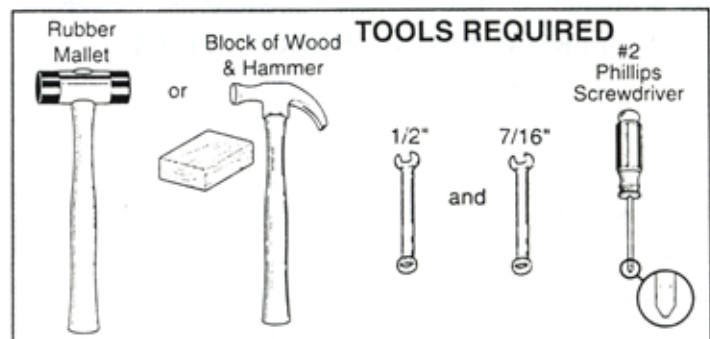


Please check contents before assembly. If any items are missing or damaged, do not take the unit back to the store. Call 1-800-427-5136 for customer service and we will save you time by correcting any problems directly for you.



- NOTE:**
- Read all instructions before starting.
 - Place washers on all lag screws before assembly.
 - To start lag screws, hammer into wood about 1/2" then use wrench to tighten.
 - Do not completely tighten any screws until the unit is fully assembled and setting on a level surface.
 - Use a rubber mallet (or a block of wood between the hammer and the unit) to drive doweled ends into holes as far as possible.



If you have hardware left over after completing your unit, it most likely has been assembled incorrectly, and may not be safe to use. Please call Customer Service at 1 800 427 5136 for assistance.

STEP 1 Lay ASSEMBLED SEAT on floor. Insert dowel end of UPRIGHTS on ASSEMBLED BACK into holes on the BACK SEAT RAIL, adjusting UPRIGHTS in or out as needed to align properly. Do not tap on seat back with hammer.

To keep the SEAT RAIL from splitting, lay the back on the floor and drive the seat on by hitting on the bottom of the seat assembly.



figure 1

STEP 2 Make a **RIGHT LEG SET** and a **LEFT LEG SET** by inserting dowel end of **BACK LEG** into angled hole of **FRONT LEG**. The drilled holes on each Leg should face the same direction as shown in figure 1.

Put **ARMS** onto legs by inserting dowel end of **FRONT LEGS** into holes in **ARMS**. Drive **ARM** onto leg assembly as far as possible.

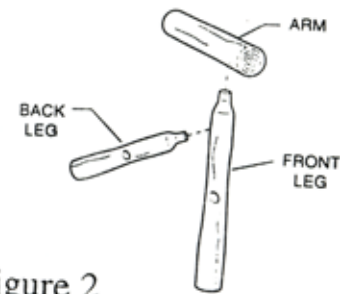


figure 2

STEP 3 Lay **BACK** and **SEAT ASSEMBLY** on its side and insert dowel ends of **SEAT RAILS** into holes on **LEG SETS**. Drive **LEGS** on as far as possible. Turn assembly over and repeat procedure for the other side.

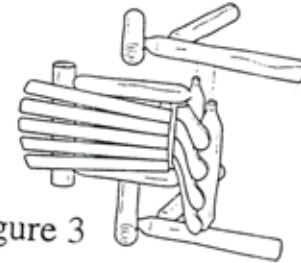


figure 3

STEP 4 Set chair in upright position on a level surface and when legs are in proper position, bring **ARM** in against **UPRIGHT** and use a hammer to hit hex washer head screw through predrilled hole in **UPRIGHT** and into hole in back side of arm about 1/2". Tighten with a 7/16" wrench or socket. Secure dowel joint in place with screw perpendicular to the doweled end as shown in figure 4. Repeat procedure for other side.

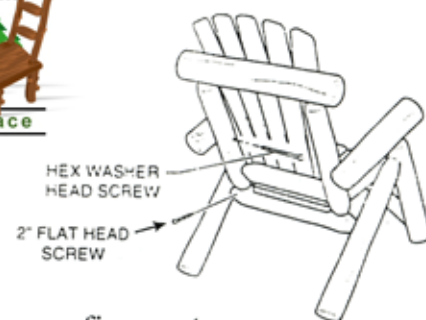


figure 4

STEP 5 Tilt chair back and screw a **BRACE** on each side of **FRONT LEG** to **CHAIR BOTTOM**.

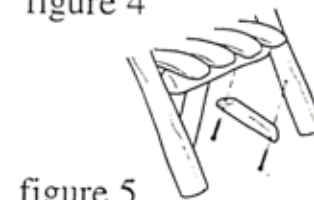


figure 5

STEP 6 Set unit on a level surface and tighten down all lag screws firmly to secure unit. Secure all dowel joints in place with screws perpendicular to the doweled end as shown in figure 6.

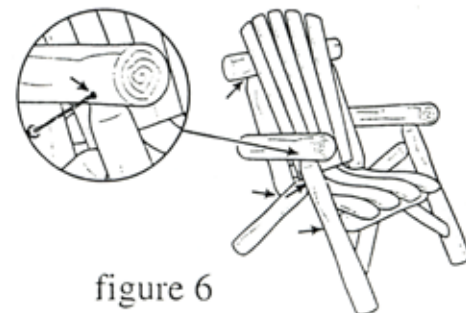
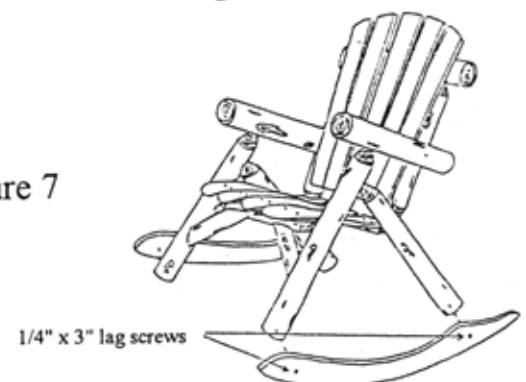


figure 6

STEP 7. Lay chair on its side and attach a rocker to the legs using 1/4" x 3" lag screws with washers. Position rockers so that the bottom of each leg is just above the bottom edge of the rocker. Push the lag screws through the holes in the rocker and tap with a hammer to start them into each leg. You may wish to drill a small pilot hole in the leg to facilitate ease of assembly. Tighten with a 7/16" wrench. Repeat process for other side.

figure 7



Your chair is now assembled and ready for finish or immediate use.