



FIM Manufacturing Inc.
12556 Stave Lake Rd.
Mission, BC V2V4J1 Canada
Tel : 888-551-5221 Fax: 604-820-4078
e-mail: info@fim-umbrella.com www.fim-umbrella.com

X5 Retractable Sunshade

INSTRUCTIONS FOR ASSEMBLY AND RECOMMENDATIONS FOR USE

READ THESE INSTRUCTIONS IMMEDIATELY

These instructions are provided to facilitate assembly and use of the **X5** sunshade, and for your safety. It is recommended to follow the instruction carefully. Failure to do so may result in damage to objects or injury to people. If in doubt, always consult a technically expert person.



This symbol indicates very important information. Strictly follow instruction accompanied by this symbol. This does not mean that the other information contained in this handbook is not important.

Keep this handbook for future reference.

IMPORTANT SAFETY INSTRUCTIONS

APPLIES TO ALL IN THIS SECTION

1. INSTRUCTIONS

Please completely read and follow all the instructions.

Damage or injuries may occur if the sunshade is not assembled and used as described herein.

For safe use it is essential that anyone using the sunshade should have read all the instruction in advance.

Only persons familiar with the safety aspects should operate this sunshade.

2. PRECAUTIONS

The sunshade X5 is intended for sun protection, not as a protection against all bad weathers. It must be closed and removed from the frame in case of strong winds or storms, as well as heavy rain or snow.

Always close and remove the sunshade from its frame at night, when you are not at home or whenever it is not under control.

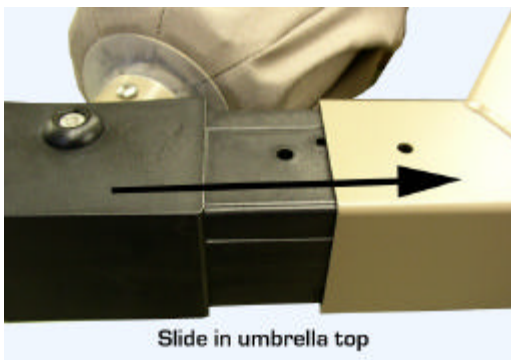
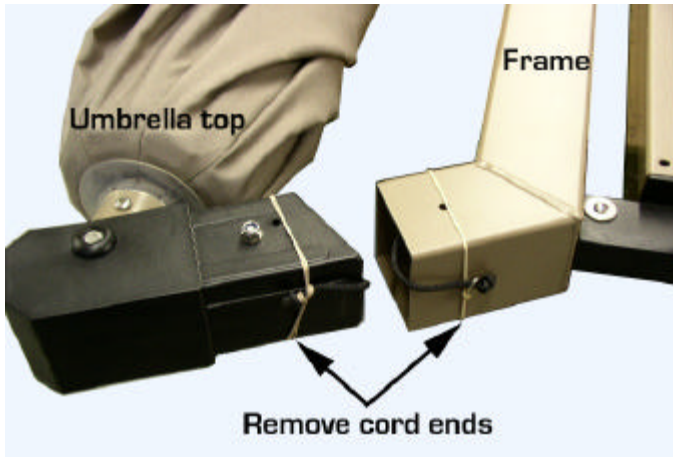
The base must be ballasted with a minimum weight of **130 kg** (approx. 290 lbs).

Always remove the handle from the winch and keep it out of children's reach.

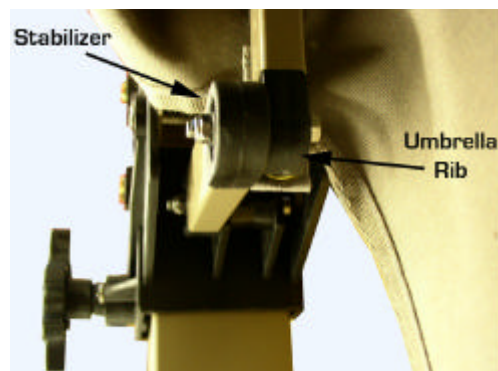
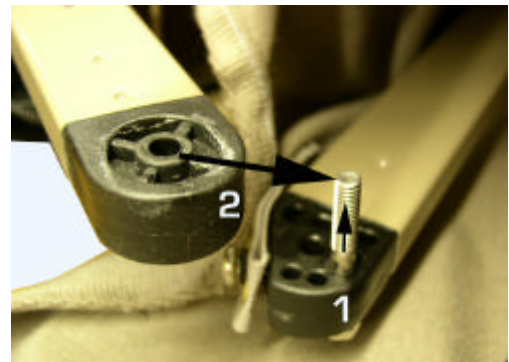
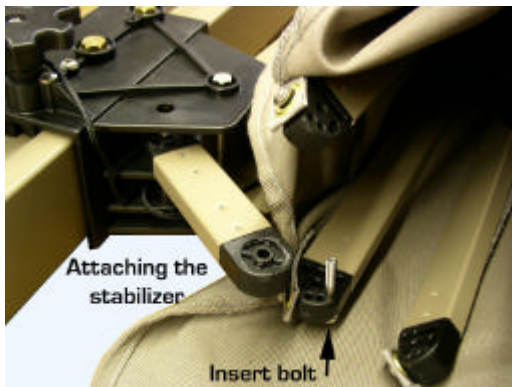
Getting Started

1. Connecting Umbrella Top

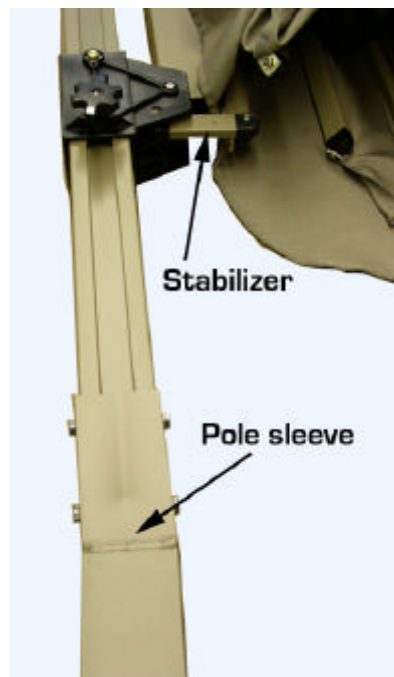
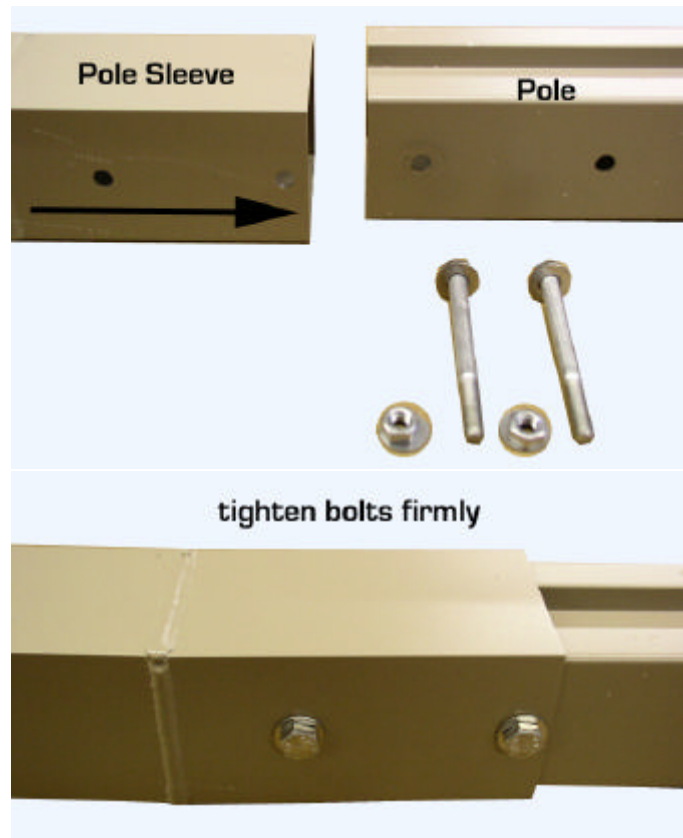
Unwrap the top and structure and place them on a flat surface as shown in the first image



2. Connecting the stabilizer



3. Attaching the pole sleeve



Your X5 is now ready to be set onto the umbrella base. Before proceeding please see the following setup and operating instructions for details on how to properly use and operate the umbrella.

ASSEMBLY INSTRUCTION

STANDARD CROSS BASE ASSEMBLY (Fig. 1)

Take out the content of the hardware bag (I) and assemble the base as shown in pict. 2



CAUTION: tighten the base bolts well

Place floor slabs in the appropriate places of the base



CAUTION: ballast the base with a weight of at least 130 KG (≈290 lbs)

OPTIONAL OFFSET ALUMINUM BASE ASSEMBLY (Fig. 2)

Take out the content of the hardware bag (I) and assemble the base as shown in pict. 2



CAUTION: tighten the base bolts well

Place floor slabs in the appropriate places of the base



CAUTION: ballast the base with a weight of at least 130 KG (≈290 lbs)

You can now slide the umbrella onto the base support tube as shown in Fig. 3, making sure the pole is seated firmly in the square recess of the rotation disk 'O'

HOW TO USE YOUR SUNSHADE

ATTACHING THE CRANK BOX (Fig. 4)

Screw the thumbscrew [T] into the threaded insert on the pole. Slide crankbox over the stud of the thumbscrew and insert the nipple [B] into the hole [B'], then tighten the thumbscrew to lock the crankbox in place. Insert crank handle into the recess of the crankbox.

OPENING THE SUNSHADE (pict. 6 - 7)

IMPORTANT: Before opening the sunshade remove the tie string and slightly open it by pulling the ribs with your hands

To open the sunshade, gently turn the handle [D] of the winch [U] clockwise, taking care not to force the mechanism.

If there is furniture near the sunshade which could hinder the opening, proceed in the following way:

1. (Fig.6) insert the pin of the handle [Q] into the hole made in the pole of the sunshade [A] and open the sunshade turning the handle [D] clockwise
2. when the ribs are above the furniture (for reference see picture 7) extract the handle [Q] from the hole made in the pole of the sunshade [A]
3. complete the opening of the sunshade

ROTATION OF THE SUNSHADE AROUND THE BASE (Fig. 8)

The frame rotates 360° around the base and can be fixed in 20 different positions by inserting the pin [S] into the orientation ring [O].

INCLINATION OF THE SUNSHADE (pict. 9 - 10 - 11)

make this operation starting from the open sunshade

1. (Fig.9) rotate the handle [D] **counter clockwise**, and at the same time pull the handle [Q] downwards. In this way the sliding carrier [L] lowers and the sunshade tilts.
2. (Fig.10) when the desired tilt position has been reached rotate the handwheel [P] clockwise to lock the sliding carrier [L]. **If needed, tension the cover by turning the handle [D] clockwise after the slider has been locked.**
3. to bring the sunshade in horizontal position, unlock the sliding carrier [L] by turning the handwheel [P] counter clockwise. Then, turn the crank handle clockwise until the top is in horizontal position and the fabric is taut.

MAINTENANCE AND CARE

WASHING THE COVER

1. Remove the cover from the sunshade.
2. Wash the cover by hand with a neutral detergent in lukewarm water at max. 30 °C (≈90 °F)
3. Allow the cover to dry but do not tumble dry or iron it.
4. Place the cover again on the frame.

STORING THE SUNSHADE AT THE END OF THE SEASON

At the end of the season, before storing your parasol away, clean the frame with a damp cloth and dry it.

6 CAUTION: Check the integrity of all components. Should there be any damaged parts, contact the dealer where it was purchased to order the relevant spare parts.

Touch up any possibly chipped parts with paint.

For perfect conservation of the parasol during the winter months it is advisable to store it in a dry room **IMPORTANT: to avoid damage caused by mould or oxidation never store your X5 away when it is wet or damp.**

IMPORTANT: to avoid damage caused by mould or oxidation never store your X5 away when it is wet or damp.

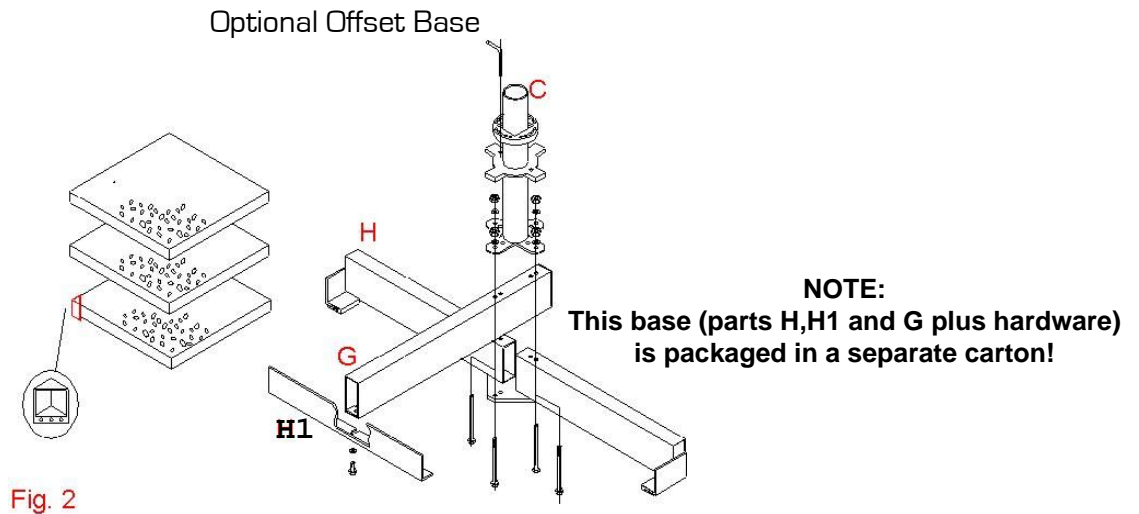
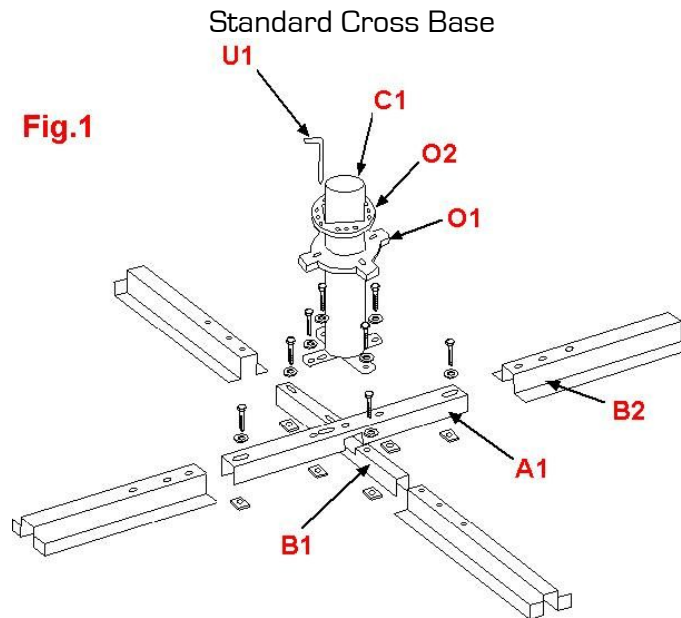


Fig. 3

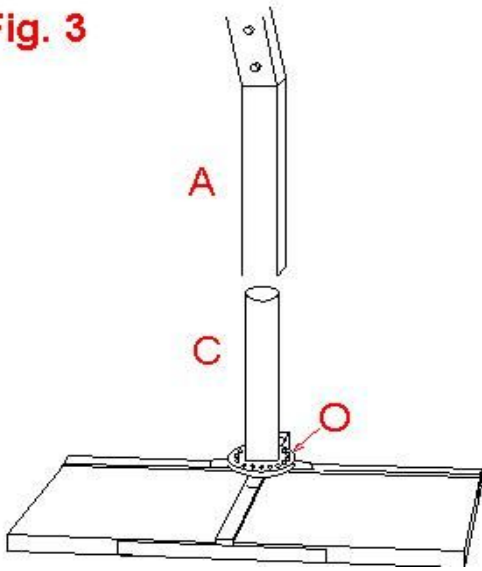
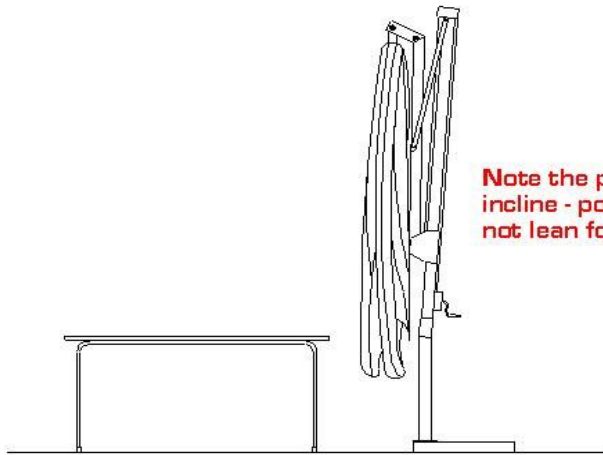
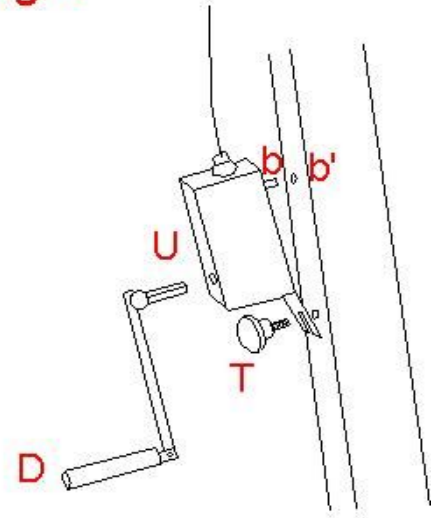


Fig. 4



**Note the pole
incline - pole must
not lean forward.**

Fig. 5

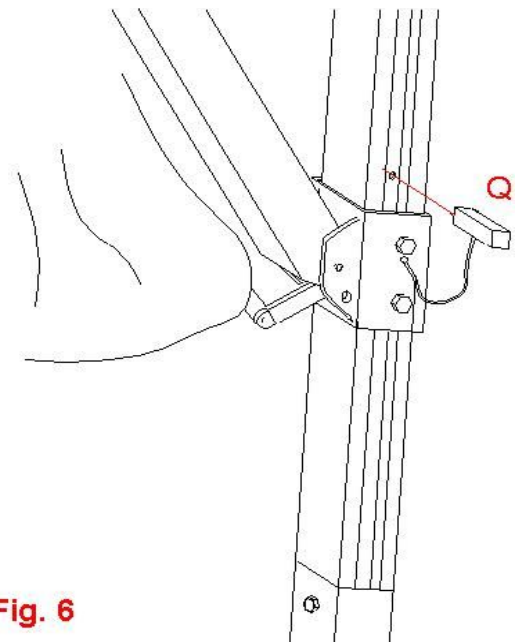


Fig. 6

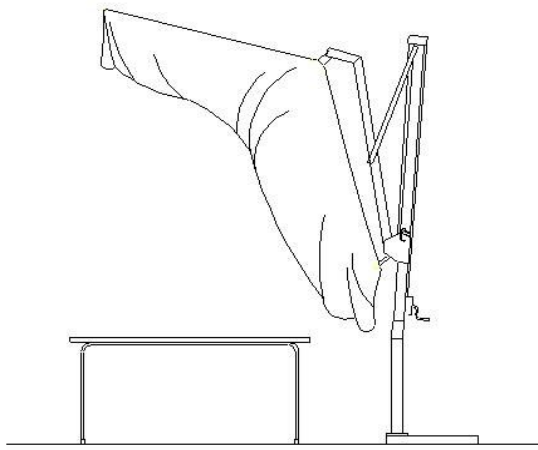


Fig. 7

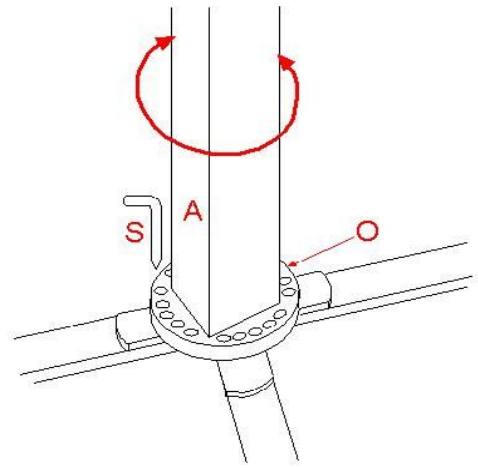


Fig. 8

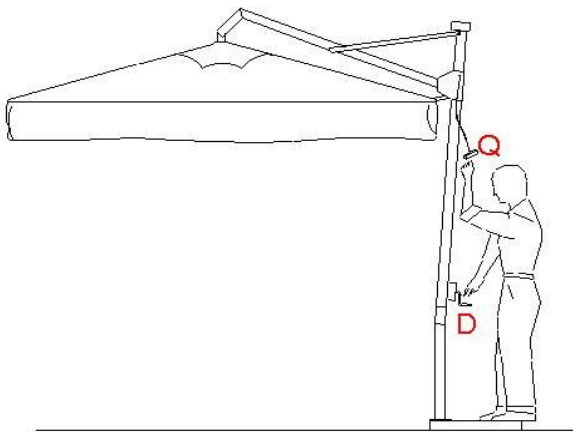


Fig. 9

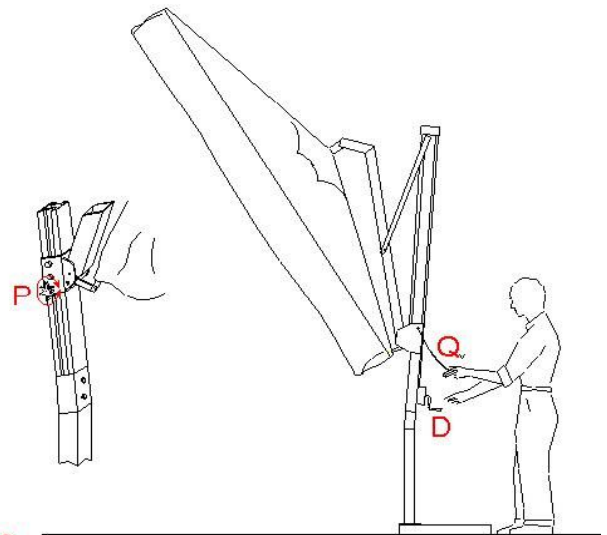


Fig. 10

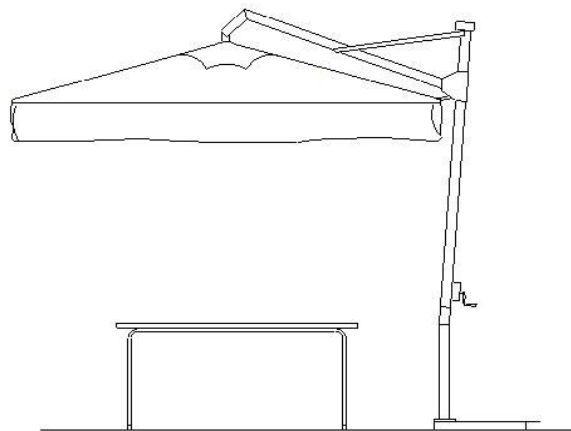


Fig. 11



Call toll-free at 1-888-551-5221 with any questions

DECK MOUNT PLATE - INSTALLATION

HARDWARE AND TOOLS REQUIRED:

⇒ on wooden sundecks

- Drill with 1/4" drill bit
- 2 galvanized lag screws 3/8" x 4", 2 galvanized lag screws 3/8" x 2 1/2", 4 galvanized washers 3/8"
- Ratchet with 1/2" socket

INSTALLATION PROCEDURE:

- Place plate on the deck with 2 of the mounting holes centered over a deck joist. Mark all 4 holes and pre-drill with the 1/4" bit. (See enclosed drawing for details)
- Use the 4" lag screws to fasten the plate through the decking into the joist. It may be helpful to lubricate the screws before inserting them.
- Use the 2 1/2" lag screws to fasten the plate to the 2x4 or 2x6 running perpendicular to the joist. On decks accessible from underneath, it is preferable to use 3/8" x 3" hex bolts with a nut and large washer below the deck.
- **IMPORTANT:** Tighten the screws well, but to not use excessive force. On new (green) sundecks, occasional re-tightening may be required due to shrinkage of the lumber.

HARDWARE AND TOOLS REQUIRED:

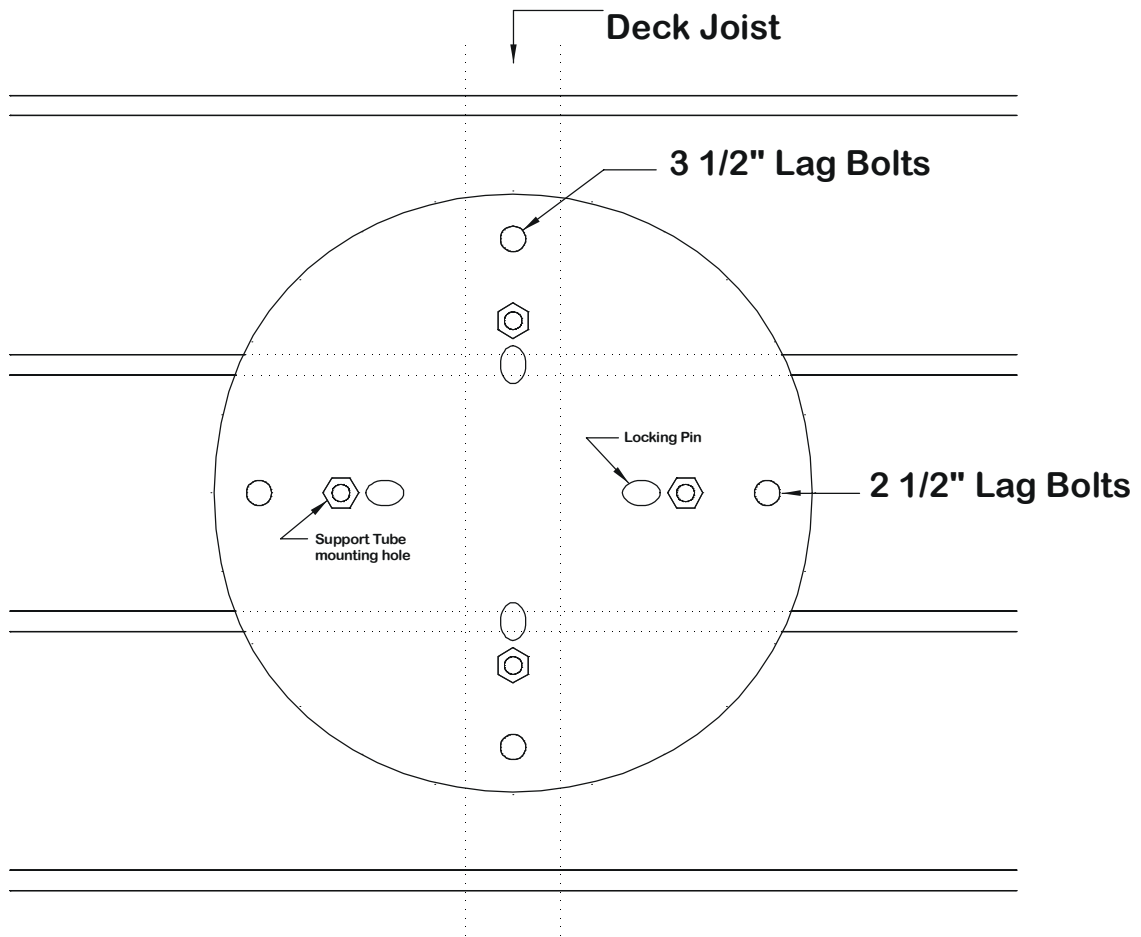
⇒ on concrete patios

- Hammer drill (e.g. Hilti) with 1/2" concrete bit
- 4 concrete spread anchors, 4 3/8" x 2" mounting bolts with washers. Consult with your building supply specialist for proper combination of anchors and bolts to achieve a minimum pullout strength of 200 lbs. per anchor.
- Ratchet with 1/2" socket

INSTALLATION PROCEDURE:

- Place plate on the concrete making sure it is not tipping or riding on a high spot. Check plate with a level, shim if necessary.
- Mark fastening holes, drill to proper depth.
- Fasten plate with bolts into anchors

Deckmount Plate - correct placement





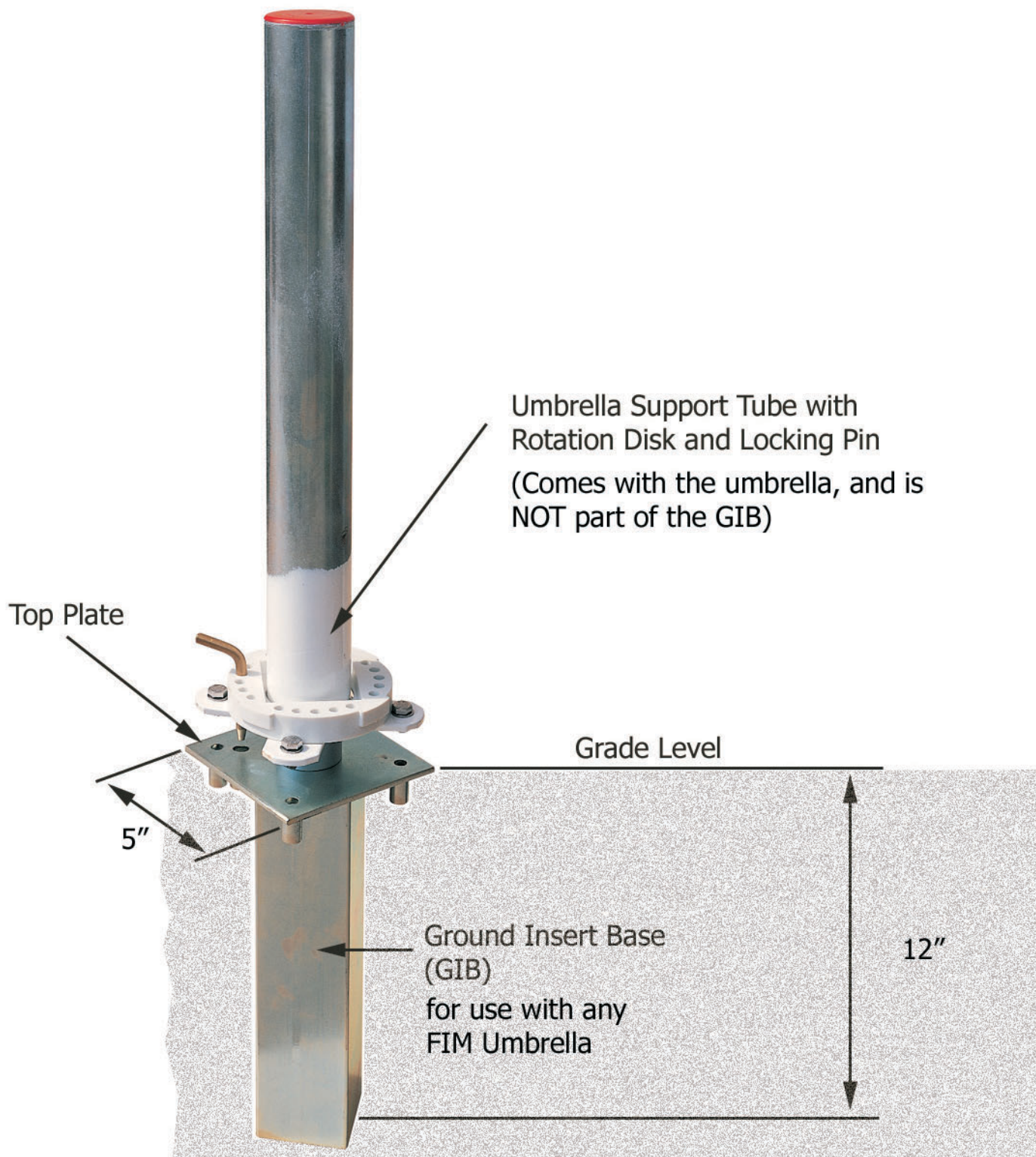
GROUND INSERT BASE - INSTALLATION

MATERIALS AND TOOLS REQUIRED:

- 1-2 bags of quick set ready mix concrete (please consult with your building supply store for exact quantity)
- 2 gallon mixing bucket
- small hand shovel or trowel
- 1 piece of 2x6, 18-20" long
- 2 - 4" C-clamps
- Carpenters Level

INSTALLATION PROCEDURE:

1. Clamp the ground insert base with the flat top plate to the center of the 2x6
2. Determine exact location for the umbrella base.
3. **VERY IMPORTANT: The umbrella rotation disk 'O' allows for a number of fixed positions in a full 360° Circle. If you need to position and lock the umbrella over an exact spot (e.g. the center of a table), make sure to orient the ground insert sleeve so it allows you to properly lock the umbrella in place with the locking pin 'U' at that specific location.**
4. Once the proper location and orientation for the base have been established, prepare a hole approximately 10x10" square and 18" deep, and fill it with quick-set ready-mix concrete (Sakrete) to about **1" below the surface level**. Make sure to follow the mixing instructions carefully.
5. Push the ground sleeve into the mixture and agitate it with quick, short strokes so the concrete will bond to the metal. Lower the sleeve until the 2x6 rests on the ground surrounding the hole, suspending the sleeve in the concrete. This way it is assured that the top of the plate is flush with the surrounding ground once the concrete has set.
6. Take a water level to check if the top of the 2x6 is exactly level **in all directions !** If it is not, simply use shims or wedges to raise the board where necessary. Complete this step carefully, as the umbrella post might appear to "lean" if the base is not installed plumb.
7. Let the concrete set overnight. Remove the board and make sure not to knock the sleeve hard (concrete takes up to 7 days to cure). Cover the open holes on top of the base plate with masking tape.
8. Fill the remaining space around the top plate with some ready mix. (**Do not** fill the 1" space inside the tube – this space is required to fully insert the locking pin). Tap the concrete in nicely, and finally drag your 2x6, held on edge, across the base with a zigzag motion to smooth the surface. Let it sit for a few hours and then clean off the top plate with a damp cloth. Make sure to let the concrete cure for at least 3 days in warm conditions, and up to 7 days if the temperature is below 50deg. Fahrenheit /10deg. Celsius



Umbrella Support Tube with
Rotation Disk and Locking Pin
(Comes with the umbrella, and is
NOT part of the GIB)

Top Plate

Grade Level

5"

Ground Insert Base
(GIB)
for use with any
FIM Umbrella

12"