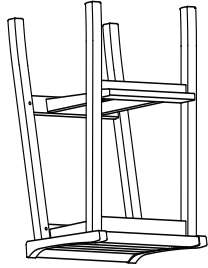


DARTMOOR STOOL
ITEM NUMBER 204131399



OXFORD GARDEN

Congratulations

Congratulations, and thank you for your purchase of a finely crafted piece of furniture from Oxford Garden. Enclosed in this document are assembly instructions. Please take a moment to read this information before putting your furniture together so as to avoid any confusion regarding parts and instruction. We hope you enjoy your new outdoor furniture...

About Shorea Wood

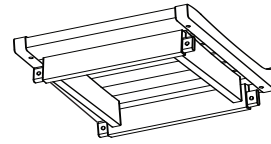
Shorea is a tropical hardwood that grows plentifully in the Pacific Rim countries of Burma, Malaysia, and Indonesia. Shorea is closely related to teak, and is therefore well suited for use in furniture making. It is renowned for its strength, durability, and beauty. Like teak, shorea has natural oils that allow it to withstand the effects of sun, rain, snow, and frost. For information about wood care and maintenance, please visit our website: oxfordgarden.com under "product care".

Assembly Instructions page 1

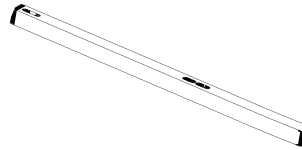
Dartmoor Stool

Components

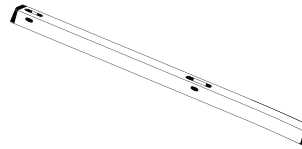
- ① Seat
QUANTITY: 1



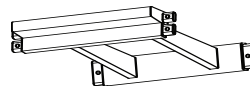
- ② Front Leg
QUANTITY: 2



- ③ Rear Leg
QUANTITY: 2



- ④ Foot Rest
QUANTITY: 1



Hardware

- A Dowels
QUANTITY: 10



Finishing Items (included)

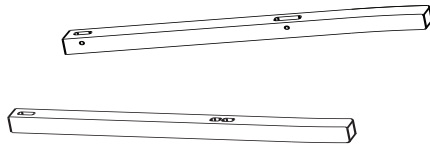
Medium Grit Sandpaper

NOTE: A hammer (not provided) will be needed for the assembly of this bar stool.

NOTE: If the furniture is going to be placed on a concrete or tile patio, it should first be rinsed well to remove the sawdust that may cause some staining.

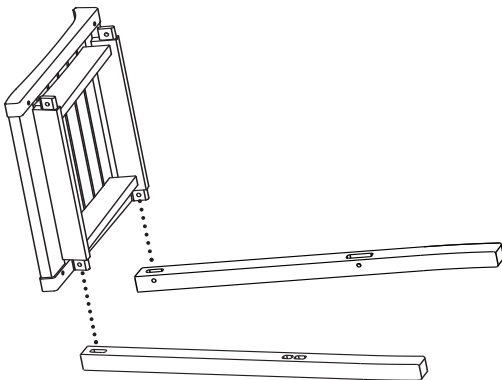
Step 1

On a clean flat surface, lay one right front leg ② (front leg has two lower mortise holes), and one right rear leg ③ (rear leg has one lower mortise hole) on their sides mortise holes facing up.



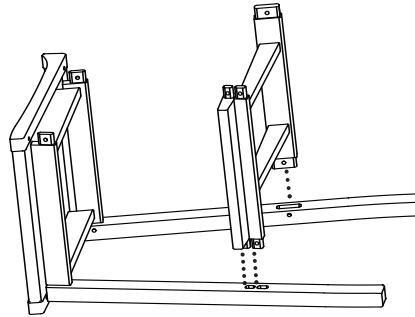
Step 2

Line up the seat ①, and insert into the legs.



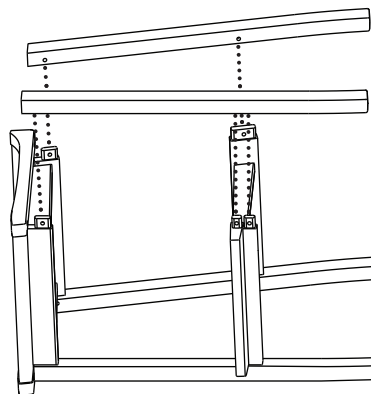
Step 3

Line up the foot rest ④, and insert into the legs.



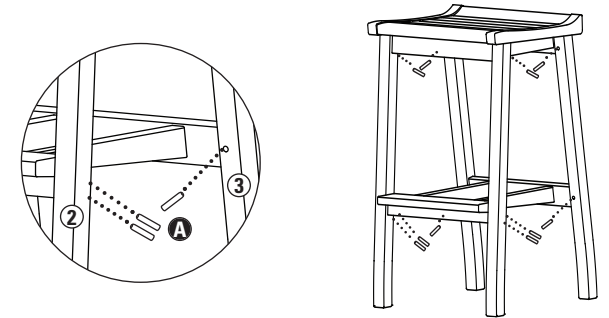
Step 4

Place one left front leg ② and one left rear leg ③ onto the parts already assembled.



Step 5

With a hammer, drive 10 total dowels A into the predrilled holes on the inside of the front and rear of the legs ①. Insert the tapered end of the dowels first. NOTE: The dowels should be easily driven in flush. If there is strong resistance, do not force the dowel. Sand to smooth off areas around the dowel pins.



Step 6

Enjoy your new bar stool!

