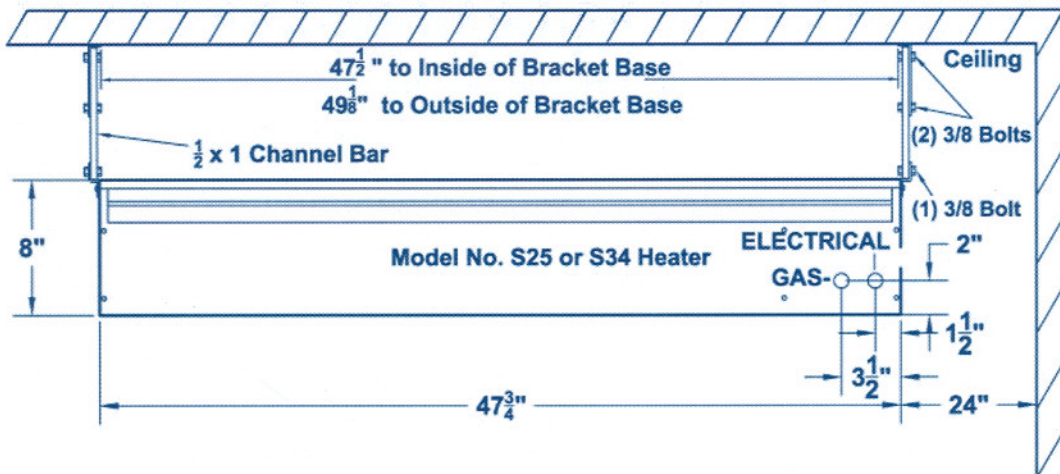
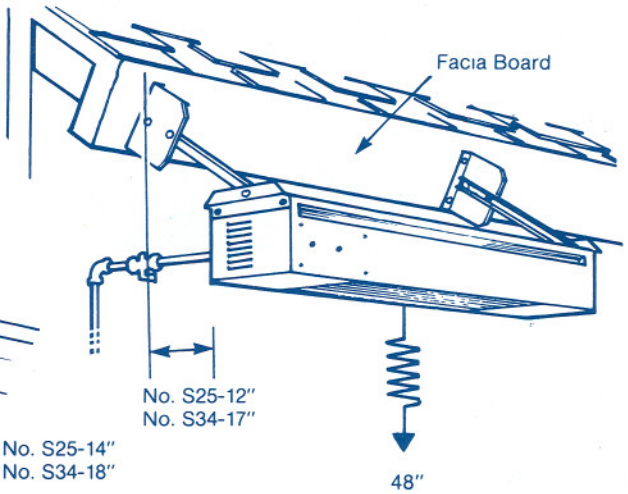
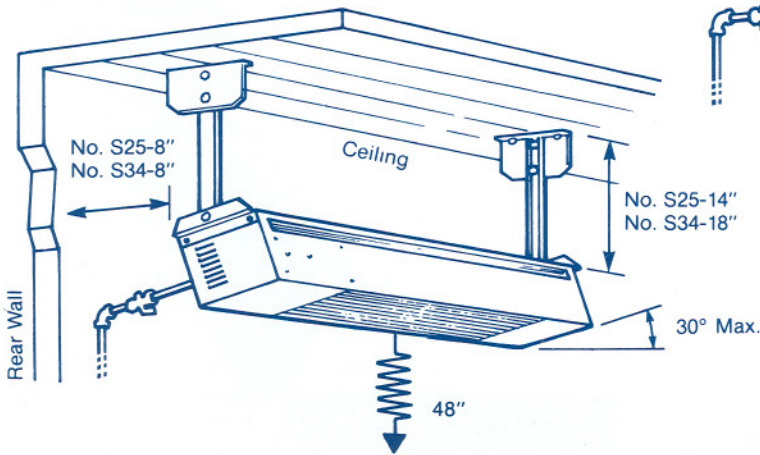
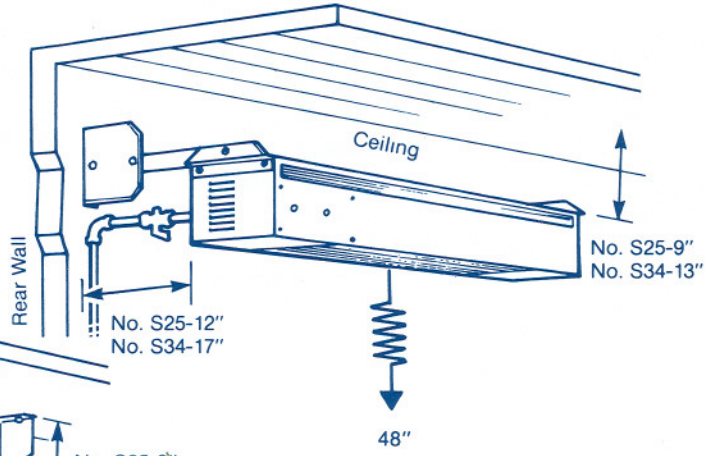
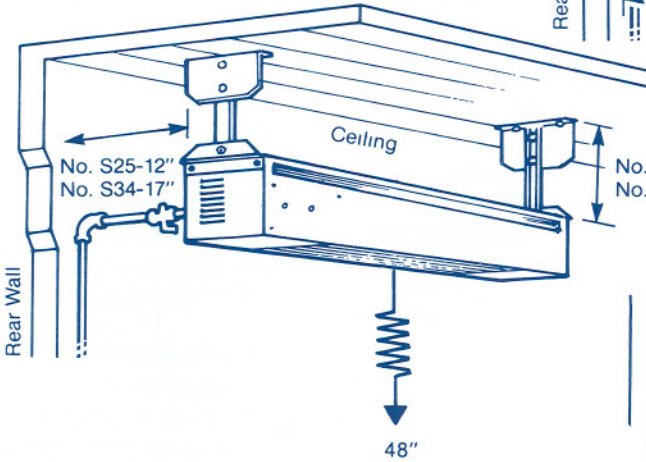




MINIMUM CLEARANCE  
TO COMBUSTIBLE MATERIALS  
USING OPTIONAL MOUNTING KIT  
P/N 12006



rear view  
of heater