

Portable Outdoor Heater

Endless Summer



Owners Manual Manual del Usuario

Model No.
92000

U.S. Patent Number: D455,204;
Other Foreign Patents May Apply.



WARNING

FOR YOUR SAFETY

For Outdoor Use Only

(Outside any enclosure)

Solamente Para Uso En

Exteriores

(Fuera de cualquier recinto)



WARNING

FOR YOUR SAFETY

Improper installation, adjustment, alteration, service or maintenance can cause injury or property damage. Read the installation, operation and maintenance instructions thoroughly before installing or servicing this equipment.



ADVERTENCIA

PARA SU SEGURIDAD:

Una instalación, ajuste, alteración, reparación o mantenimiento inadecuados puede causar lesiones o daños a la propiedad. Lea atentamente las instrucciones de instalación, funcionamiento y mantenimiento del equipo antes de instalarlo o ponerlo en marcha.



WARNING

FOR YOUR SAFETY

If you smell gas -

- 1. Shut off gas to appliance.*
- 2. Extinguish any open flame.*
- 3. If odor continues, contact your gas supplies or fire department*



WARNING

California Proposition 65:

Chemicals known to the state of California to cause cancer, birth defects, or other reproductive harm are created by the combustion of propane.



WARNING

FOR YOUR SAFETY

- 1. Gas leaks may cause a fire or explosion which can cause serious bodily injury or death, or damage to property.*
- 2. You must follow all leak checking procedures as outlined in step 6 before operating this unit.*
- 3. Never use an open flame to check for leaks.*



WARNING

FOR YOUR SAFETY

Do not store or use gasoline or other flammable vapors or liquids in the vicinity of this or any other appliance.



DANGER



CARBON MONOXIDE HAZARD

- This appliance can produce carbon monoxide which has no odor.*
- Using it in an enclosed space can kill you.*
- Never use this appliance in an enclosed space such as a camper, tent, car or home.*

**Contact 1-800-762-1142 for assistance.
Do not return to place of purchase.**

Table of Contents

Safety First!	3
Assembly Instructions	
Hardware & Component Listing	5
General Components & Features	6
Additional Requirements	6
Step 1 Attach Emitter Screen	6
Step 2 Attach Top Wire Guard	7
Step 3 Attach Dome to Emitter	7
Step 4 Attach Dome Cap	7
Step 5 Gas Hook Up	8
Step 6 Check for Leaks	9
Step 7 Install Access Panel	9
Step 8 Securing Tank	10
Operation	
Before Turning Gas Supply ON	11
Before Lighting	11
Lighting	11
Re-Lighting	12
Shutdown	12
Operation Checklist	13
Troubleshooting	14
Maintenance	15
Storage	16
Service	16
Warranty	17
Specifications	18



The use and installation of this product must conform to local codes. In absence of local codes, use the National Fuel and Gas Code, ANSI Z223.1/ NFPA 54, Storage and Handling of Liquefied Petroleum Gases, ANSI/NFPA 58 or CSA B149.1, Natural Gas and Propane Installation Code.

Save these instructions for future reference. If you are assembling this unit for someone else, give this manual to him or her to save for future reference.



**Before you do anything else,
read and understand all
precautions in Safety First!**



WARNING

FOR YOUR SAFETY

- **Purchaser assumes all risk in the assembly and operation of this unit. Failure to follow this manual's warnings and instructions can result in severe personal injury, death or property damage.**
- **Combustion of propane creates carbon monoxide, which, when used in enclosed areas, can kill you.**
- **Dome is extremely hot to the touch during operation. Never touch the dome while the heater is operating. Wait for unit to cool down (approximately 45 minutes) after use.**
- **Do not use in an explosive atmosphere. Keep heater away from areas where flammable liquids, gasoline, vapors, or explosives are stored or used.**

Safety First!

Read and become familiar with this entire manual, especially the following precautions.

If you are unsure of anything in these instructions, STOP and contact 1-800-762-1142 for assistance.

Caution: This appliance is for outdoor use only (outside any enclosure). Always make sure there is fresh air ventilation.

- Use only outdoors in a well-ventilated space, never use in a building, garage or any other enclosed area.
- Always maintain at least 36" clearance (top) and 24" clearance (side) from combustible materials.
- Always place heater on a hard and level surface.
- Do not use if the wind velocity is greater than 10 miles per hour.
- Unit will operate at reduced efficiency below 40°F (5°C).
- Keep sprinklers and other water sources away from burner and controls.
- **Always use extreme caution when near heater. Alert both children and adults to the hazards of high temperatures, especially to avoid burns or clothing catching fire.**
- **Young children and pets should be carefully supervised when they are in the area of heater.**
- **Do not hang clothing or other flammable materials either on or near heater.**
- **Any guard or other protective device removed for servicing the heater must be replaced prior to operating the heater.**
- Certain materials or items, when stored under heater, will be subjected to radiant heat and could be seriously damaged.
- Do not alter heater in any manner.
- The pressure regulator and hose assembly supplied with the appliance must be used and replacements must be those specified by the manufacturer.
- Inspect heater before each use. If a damaged part is detected, do not operate until an original equipment replacement part has been properly installed. Use of unauthorized parts will void warranty and create an unsafe condition.
- Do not attempt to use this appliance without a functional factory-supplied gas regulator in place. If regulator becomes damaged, use only a factory-supplied replacement.
- Prior to operating heater, replace any guards or protective devices removed for servicing.
- During operation, do not touch burner assembly. The surface of heater's emitter can reach temperatures approaching 1600°F.
- After shutdown, do not touch burner assembly until heater has cooled (approximately 45 minutes after use).

Notice: This product should not be used with any fuel other than liquid propane. Use of other fuels will detract from heaters performance and will void your warranty.

**Contact 1-800-762-1142 for assistance.
Do not return to place of purchase.**

Endless Summer 

Caution: Liquid propane (LP) gas is flammable and hazardous if handled improperly. Become aware of the characteristics before using any LP product.

- LP Characteristics – Flammable, explosive under pressure, heavier than air - settles in pools in low areas.
- In its natural state, propane has no odor. For your safety, an odorant is added that smells like rotten cabbage.
- Contact with LP can cause freeze burns to skin.
- This heater is shipped from the factory for LP gas use only.
- Use only Department of Transportation (DOT) approved “20 lb.” LP gas cylinders (same as those commonly used on gas grills) with Acme / Type 1 / QCC safety valves. These valves can be quickly identified because they have external and internal threads.
- Never use an LP cylinder with a damaged body, valve, collar, or footing.
- Dented or rusted LP cylinders may be hazardous and should be checked by your LP gas supplier.
- The cylinder supply system must be arranged for vapor withdrawal.
- The cylinder used must include a collar to protect the cylinder valve.
- When heater is not in use, turn LP cylinder OFF.
- Always perform a leak test on gas connections whenever a cylinder is connected. Never use a flame to test for leaks. Do not smoke while performing a leak test.

Caution: It is essential to keep the heater’s valve compartment, burners, and circulating air passages clean.

- Spiders and insects can create a dangerous condition that may damage heater or make it unsafe. Keep burner area clean of all spiders, webs, or insects.
- Inspect heater before each use.
- **Have heater inspected annually and repairs should be made by a qualified service person.**
- More frequent cleaning may be required as necessary. It is imperative that control compartment, burners and circulating air passageways of the heater be kept clean.
- Check heater immediately if any of the following conditions exist:
 - The smell of gas in conjunction with extreme yellow tipping of burner flames.
 - Heater does not reach proper temperature.

Note: At temperatures less than 40°F, heat output will be reduced.

- Heater’s glow is excessively uneven
- Burner makes popping noises during use.

Note: A slight pop is normal when burner is extinguished.

- Carbon deposits may create a fire hazard. Keep dome and emitter clean at all times.
- Do not clean heater with combustible or corrosive cleaners. Use warm, soapy water.
- Do not paint engine, engine access panel or dome.

“20 lb.” LP Cylinder



FOR YOUR SAFETY:

Beware of Spiders

Spiders or small insects can get into the burner tube or other openings of your heater, and spin webs or build nests. These obstructions can lead to gas flow problems. It is important to make frequent inspections of these areas and clean them when necessary.

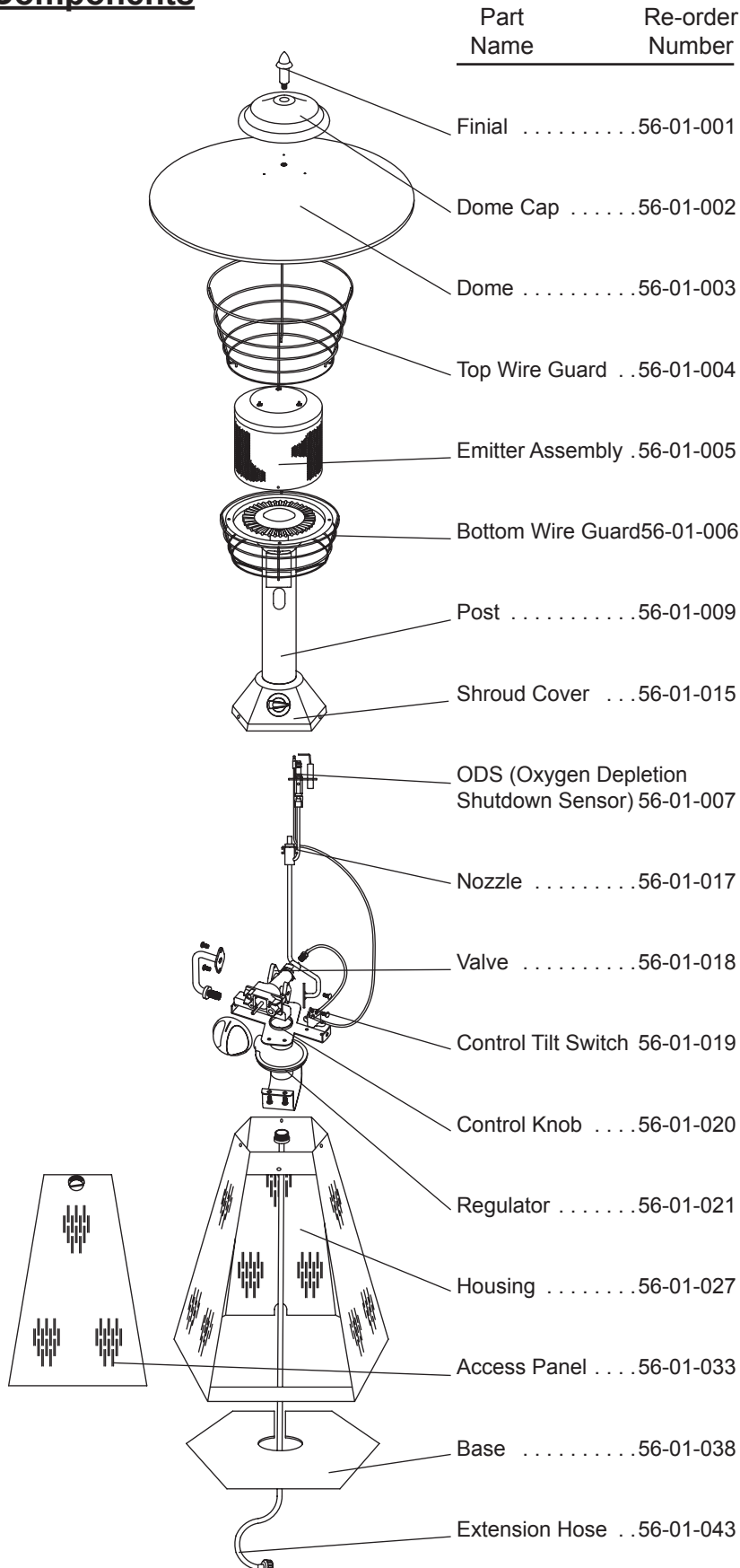
Before operating your heater for the first time, be sure to check for obstructions that may have occurred during shipment.

Need a cylinder or gas?



Try Blue Rhino cylinder exchange service. It's easy, fast, safe, and available at tens of thousands of conveniently located retail outlets nationwide. You can purchase a new full cylinder or exchange your empty for a precision filled one.

For your nearest Blue Rhino retailer visit www.bluerhino.com.

Components



Hardware

Picture	Qty	Description	Used in Step(s)
	4	Medium Screw 12-24 x 5/16" Stainless Steel Philips Head Screw 56-01-045	1
	3	Nut 1/4-20 Stainless Steel Hex Nut 56-01-046	3

**Contact 1-800-762-1142 for assistance.
Do not return to place of purchase.**

Endless Summer 

Assembly Instructions

General Components & Features

Familiarize yourself with all components before proceeding. Refer to page 5 for hardware and components, and page 18 for specifications.

Do NOT attempt assembly unless all components are available. If you believe a component is missing or damaged, contact 1-800-762-1142 for assistance.

Note: All hardware is mounted on a cardboard pack and numbered to match their assembly step.

Additional Requirements

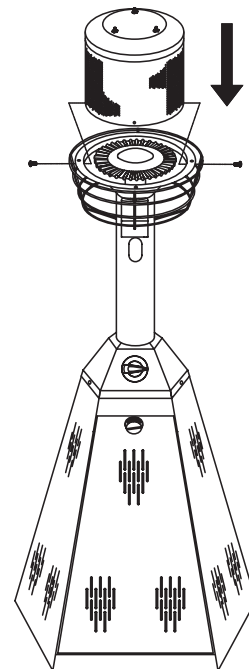
The following items are not included, but are necessary for the proper assembly of your heater. Do NOT attempt to assemble without proper tools.

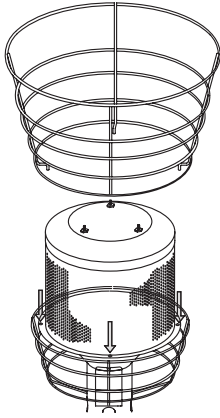
- (1) - 7/16" Wrench
- (1) - #2 Phillips Head Screwdriver
- (1) - Leak Detection Solution (Instructions on how to make solution are included in Step 6)
- (1) - 20 lb.(4-5 gallon) precision filled LP Gas Grill Cylinder

Note: You must follow all steps to properly assemble heater.

Step 1 – Attach Emitter Screen

Line up 4 holes on bottom of Emitter Screen with corresponding holes in Emitter Bottom, and insert (4) Medium Screws in holes until tight.

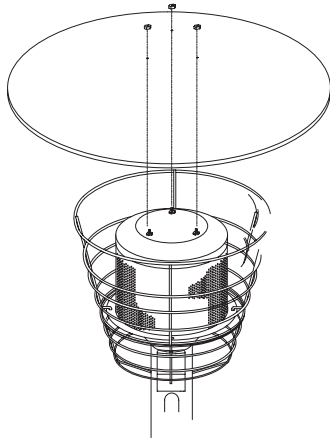




Step 2—Attach Top Wire Guard

Line up 4 prongs on Wire Guard Bottom with 4 holes on Emitter Bottom, and Insert.

Note: It may be necessary to adjust the prongs slightly to line them up with the holes.



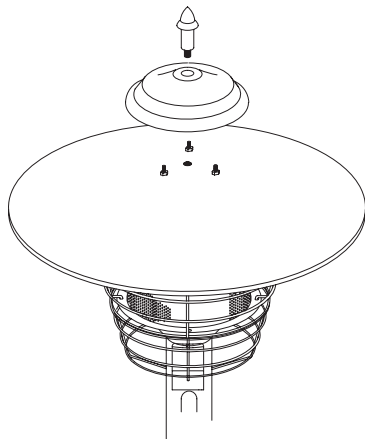
Step 3—Attach Dome to Emitter

Line up three studs in Emitter with holes in Dome. Slide Dome carefully over studs, clamping Top Wire Guard securely in place.

Note: It may be necessary to adjust prongs of the Top Wire Guard slightly to provide a secure fit.

Install (3) Nuts on studs and tighten with 7/16" wrench.

Do not over tighten.



Step 4—Attach Dome Cap

Lay Dome Cap on dome covering 3 Nuts and line up center holes.

Insert threaded end of Finial through cap and screw into center of dome until secure.

**Contact 1-800-762-1142 for assistance.
Do not return to place of purchase.**

Endless Summer 

Step 5 – Gas Hook-up

Note: For best results, use heater with a 20 lb. cylinder.

The pressure regulator and hose assembly supplied with the appliance must be used and replacements must be those specified by the manufacturer.

To connect 20 lb. Cylinder

Slip end of flexible gas line with brass fitting through center hole of Base and up to threaded portion of regulator.

Line up threads on fitting with those on regulator and rotate clockwise until snug. **HAND TIGHTEN ONLY. DO NOT USE ANY HAND TOOLS TO MAKE THIS CONNECTION.** Be careful not to cross threads when screwing in FITTING.

Note: if heater uses center clamp, hose can be routed through opening in base and table.

Set heater on base, making sure that flexible gas line is routed through small slot in base.

Attach gas line to cylinder by turning black plastic knob counter clockwise into cylinder valve until tight.

Note: Be careful not to kink flexible gas line.

When using the gas extension hose always locate the hose out of pathways where people may trip over it or in areas where the hose may be subject to accidental damage.

To connect 14.1 oz or 16.4 oz cylinder

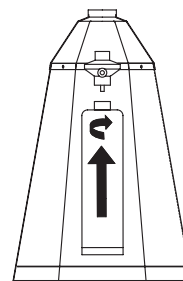
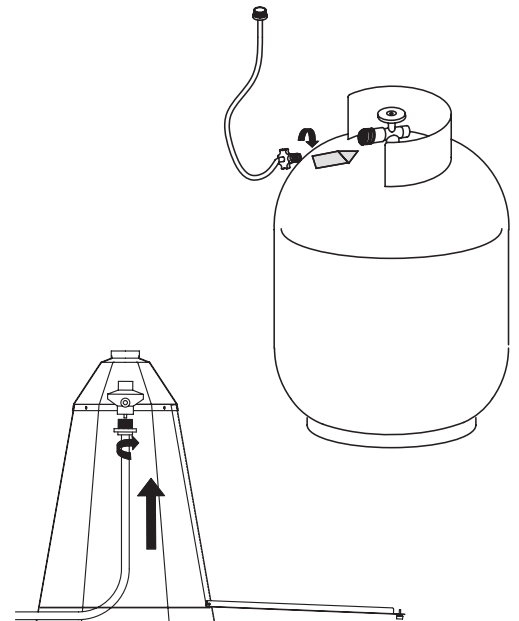
Only cylinders marked “propane” may be used.

Note: Some 1-lb cylinders may form frost when near empty.

Line up threads on canister with those on regulator, insert and rotate canister clockwise until they fit snugly together. **HAND TIGHTEN ONLY.** Be careful not to cross threads when screwing in canister.

Caution

Before you attempt to use a propane cylinder, understand all cylinder and propane related precautions in Section #1 – “Safety First.”



Caution

Your Endless Summer Portable Heater has been checked at all factory connections for leaks. Recheck all connections, as movement in shipping can loosen connections. Check for leaks even if your unit was assembled for you at the store.

Step 6 – Check for Leaks

To check for leaks:

Make 1-2 oz. of leak solution by mixing one part liquid dishwashing soap and 3 parts water.

Spoon several drops (or use squirt bottle) of the solution onto the regulator/canister connections.

Inspect the connections and look for bubbles

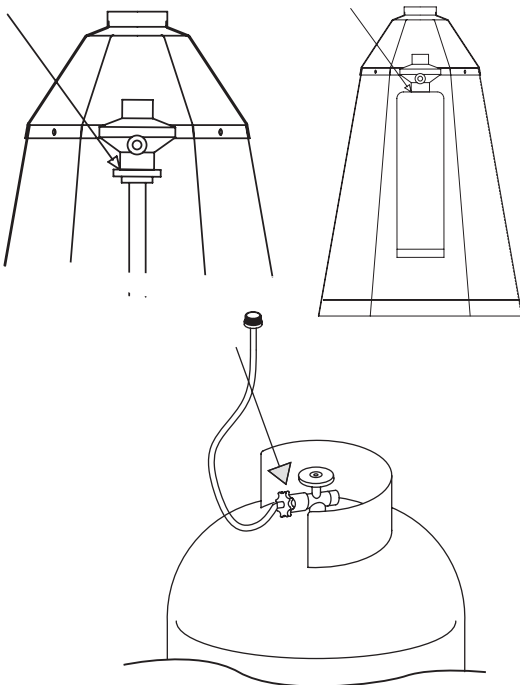
If NO bubbles appear, the connection is safe.

If bubbles appear, there is a leak:

Loosen and re-tighten this connection.

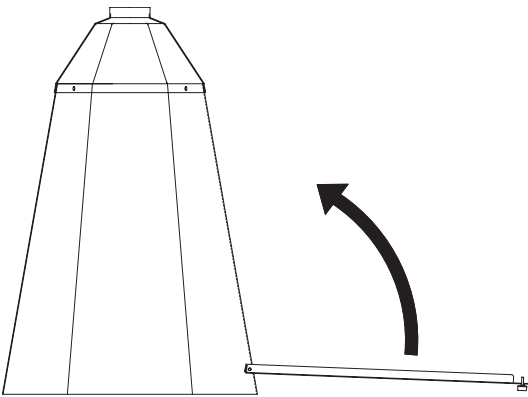
Re-check for a leak.

If you continue to see bubbles after several attempts, disconnect propane source and contact 1-800-762-1142.



Step 7 – Install Access Panel

Rotate door up to closed position and tighten thumb screw



**Contact 1-800-762-1142 for assistance.
Do not return to place of purchase.**

Endless Summer 

Step 8 – Securing the Tank

Mount your 20 lb. cylinder to a sturdy object such as a table or post within 3 to 4 feet of your heater when in use, this will prevent movement or tipping of the cylinder during operation.

The clamp on the cylinder ring will attach to any round pole from 1" to 2" in diameter, or a square post from 1" to 2" square. It will also adapt to various other shapes up to 2" wide.

Determine where to locate your 20 lb. cylinder. Be sure that it is within 2" what you are mounting it to.

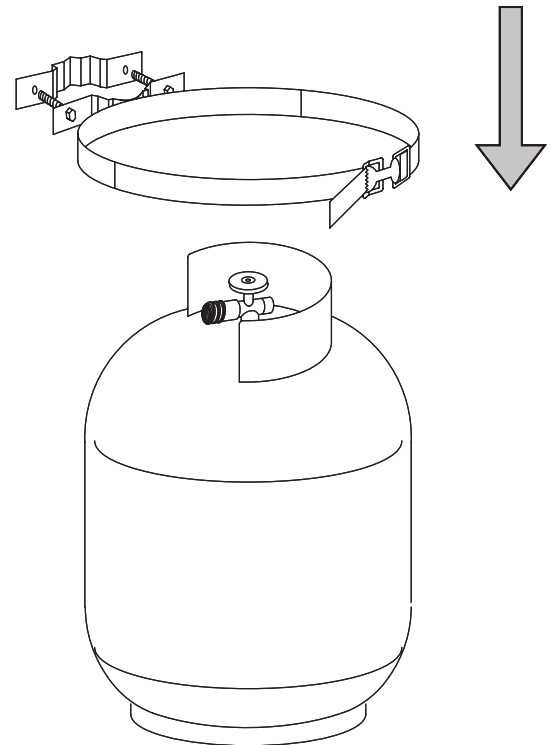
Place the bracket halves around the object and insert the 2" bolts through the open holes in one bracket and into the matching threaded holes in the second bracket. Position bracket within 6" of the middle of the cylinder. Finger tighten bolts.

Slide the 20 lb. cylinder into the curved portion of the bracket, making sure strapping ends are not between cylinder and bracket. Enclose cylinder in strap and securely tighten strap in buckle.

Using a 7/16" wrench, tighten the 2" bolts until they are secure. **DO NOT OVER TIGHTEN.**

In some cases you may wish to secure your cylinder to a larger object or a wall. It is possible to mount the bracket attached to the straps to these surfaces by drilling matching holes and using screws and nuts or lag screws (not provided) to secure your cylinder.

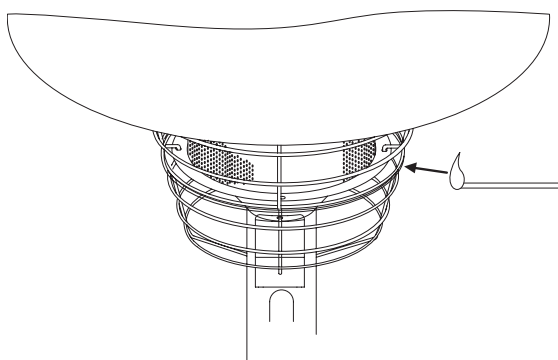
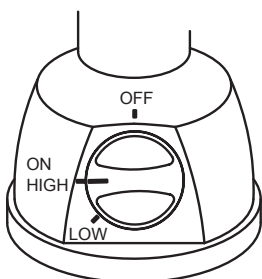
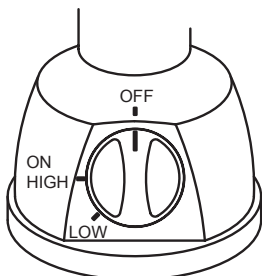
Note: Once you have read "safety first" and successfully completed Steps 1 – 8, you are ready to begin operating your heater.





WARNING
FOR YOUR SAFETY

- **Do NOT attempt to operate heater until you have read and understand all precautions in Section 1 “Safety First.” Failure to do so can result in serious personal injury, death, or property damage.**
- **If at any time you are unable to light burner and smell gas, wait 5 minutes to allow gas to dissipate before attempting to light heater.**
- **Do NOT touch emitter or dome or move heater for at least 45 minutes after use.**



Operation

Inspect the visible portion of the hose before each use of the appliance. Inspect the entire hose assembly at least annually.

Before Turning Gas Supply ON

Your heater was designed and approved for OUTDOOR USE ONLY. DO NOT use it inside a building, garage, or any other enclosed area.

Make sure surrounding areas are free of combustible materials, gasoline, and other flammable vapors or liquids.

Ensure that there is no obstruction to air ventilation.

Be sure all gas connections are tight and there are no leaks.

Be sure the access panel is clear of debris.

Be sure any component removed during assembly or servicing is replaced and fastened prior to starting.

Before Lighting

Heater should be thoroughly inspected before each use, and by a qualified service person at least annually.

If relighting a hot heater, always wait at least 5 minutes for gas to dissipate.

Lighting

1. Turn Gas Control Knob to OFF position.
2. Push in Control Knob and rotate to “ON” position. This will activate the built-in ignitor and light the burner. If necessary, keep depressing and rotating Knob until burner lights.
3. Once burner is lit, hold Control Knob in for at least 30 seconds and release.
4. If burner does not stay lit, turn to “OFF” position and wait 5 minutes and repeat steps 2 and 3.
5. If ignitor does not light burner, use a lit match positioned against the bottom of emitter screen at burner location, and repeat steps 2 & 3.
6. Once burner is lit, rotate Knob to desired heating level.

If you experience any ignition problem, turn off the heater and gas supply, and consult “Troubleshooting” on page 14.

**Contact 1-800-762-1142 for assistance.
Do not return to place of purchase.**

Endless Summer 

Caution: Avoid inhaling fumes emitted from the heater's first use. Smoke and odor from the burning of oils used in manufacturing will appear. Both smoke and odor will dissipate after approximately 30 minutes. The heater should NOT produce thick black smoke.

Note: The burner may be noisy when initially turned on. To eliminate excessive noise from the burner, turn the Control Knob to the LOW position. Then, turn the knob to the level of heat desired.

When heater is ON:

Emitter screen will become bright red due to intense heat. The color is more visible at night.

Burner will display tongues of blue flame. These flames should not be yellow or produce thick black smoke, indicating an obstruction of airflow through the burners.

If yellow flame is detected, turn off heater and gas supply and consult "Troubleshooting" on page 14.

Re-lighting

Note: For your safety, Control Knob cannot be turned ON without first depressing Control Knob in OFF position and then rotating to ON.

1. Turn Gas Control Knob to OFF.
2. Wait at least 5 minutes to let gas dissipate before attempting to relight burner.
3. Repeat the "Lighting" Steps 2 and 3 on prior page.

Shut Down

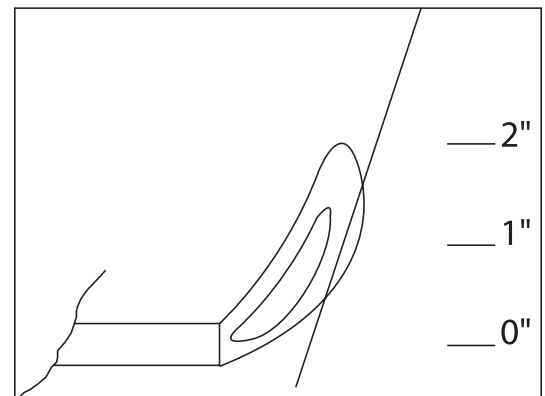
1. Rotate Gas Control Knob to OFF position. Normally, burner will make a slight popping sound when extinguished.
2. Turn off gas at bottle/cylinder.
3. Remove access panel.
4. Unscrew gas line from regulator.
5. Close access panel.

Note: After use, some discoloration of the emitter screen is normal.



WARNING FOR YOUR SAFETY

Be careful when attempting to manually ignite this heater. Holding in the control knob for more than 10 seconds before igniting the gas will cause a ball of flame upon ignition.



Operation Checklist

For a safe and pleasurable heating experience, perform this check before each use.

Before Operating

- I am familiar with entire owner's manual and understand all precautions noted in "Safety First".
- All components are properly assembled, intact and operable.
- No alterations have been made.
- All gas connections are secure and do not leak.
- Wind velocity is below 10 mph.
- Outdoor temperature is greater than 40 degrees F.
- Heater is outdoors (outside any enclosure).
- There is adequate fresh air ventilation.
- Heater is away from gasoline or other flammable liquids or vapors.
- Heater is away from windows, air intake openings, sprinklers and other water sources.
- Heater is at least 36" from combustible materials.
- Heater is on a hard and level surface.
- There are no signs of spider or insect nests.
- All burner passages are clear.
- All air circulation passages are clear.
- Children, pets, clothing, flammable materials and items that can be damaged from radiant heat are away from the heater.
- Children and adults in the area have been alerted to the high temperature hazards: especially burns and clothing fires.
- Children and adults in the area have been warned not to touch heater near engine during operation and until unit has cooled.

After Operation

- Gas control is in OFF position.
- Gas tank valve is OFF
- Disconnect Gas line.
- Heater is upright in a secure location.

**Contact 1-800-762-1142 for assistance.
Do not return to place of purchase.**



Troubleshooting

<u>If the problem is:</u>	<u>And this condition exists:</u>	<u>Then do this</u>
Burner won't light	Gas pressure is low	Replace bottle/cylinder or canister
	Blockage in burner openings	Clear blockage
	Blockage in venturi tube	Clean venturi
	Blockage in gas line	Check gas line for blockage
	Control knob is not in ON position	Turn control knob to ON
Burner won't stay lit	Bad thermocouple	Replace ODS
	Corrosion at thermocouple	Clean contact
	Burner flame not touching thermocouple	Contact certified technician
Burner flame is low <i>Note: Heater operates at reduced efficiency below 40°F (5°C)</i>	Gas pressure is low	Turn Control Knob OFF and replace bottle/cylinder or canister
	Outdoor temperature is less than 40°F and tank is less than 1/4 full	Use a full bottle/cylinder or canister
	Control knob fully ON	Check burner and all openings for blockage
Emitter glows uneven	Gas pressure is low	Replace bottle/cylinder or canister
	Heater not level	Level heater
	Burner tilted	Straighten burner
Carbon build-up	Base is not on a level surface	Place heater on a level surface
	Heater is level	Clean burner
	Dirt or film on reflector and emitter	Clean reflector and emitter
Thick black smoke	Blockage in burner	Remove blockage and clean burner inside and outside



WARNING
FOR YOUR SAFETY

- **Do NOT touch or move heater for at least 45 minutes after use.**
- **Dome is hot to the touch.**
- **Allow dome to cool before touching.**

Maintenance

To enjoy years of outstanding performance from your heater, make sure you perform the following maintenance activities on a regular basis:

Inspect the visible portion of the hose before each use of the appliance. Inspect the entire hose assembly at least annually.

Air flow must be unobstructed. Keep controls, burner, and circulating air passageways clean. Signs of possible blockage include:

- Gas odor with extreme yellow tipping of flame.
- Heater does NOT reach the desired temperature.
- Heater glow is excessively uneven.
- Heater makes popping noises.

Spiders and insects can nest in burner or orifices. This dangerous condition can damage heater and render it unsafe for use. Clean burner holes by using a heavy-duty pipe cleaner. Compressed air may help clear away smaller particles.

Carbon deposits may create a fire hazard. Clean dome and emitter with warm soapy water if any carbon deposits develop.

Note: In a salt-air environment (such as near an ocean), corrosion occurs more quickly than normal. Frequently check for corroded areas and repair them promptly.

Keep exterior surfaces clean.

Use warm soapy water for cleaning. Never use flammable or corrosive cleaning agents.

While cleaning your unit, be sure to keep the area around the burner and pilot assembly dry at all times. Do not submerge the control valve assembly. If the gas control is submerged in water, do NOT use it. It must be replaced.

TIP:

Use high-quality automobile wax to help maintain the appearance of your heater. Apply to exterior surfaces from the pole down. Do not apply to emitter screen or domes.

**Contact 1-800-762-1142 for assistance.
Do not return to place of purchase.**

Endless Summer 

Storage

Between uses:

Turn Control Knob OFF.

Disconnect LP source.

Store heater upright in an area sheltered from direct contact with inclement weather (such as rain, sleet, hail, snow, dust and debris).

If desired, cover heater to protect exterior surfaces and to help prevent build up in air passages.

Note: Wait until heater is cool before covering.



WARNING FOR YOUR SAFETY

Never attempt to refill disposable canister. Refilling may cause explosion. To discard, contact local refuse hauler or recycle center.

Do not puncture or incinerate.

During periods of extended inactivity or when transporting:

Turn Control Knob OFF.

Disconnect LP source and move to a secure, well-ventilated location outdoors.

Store heater upright in an area sheltered from direct contact with inclement weather (such as rain, sleet, hail, snow, dust and debris).

If desired, cover heater to protect exterior surfaces and to help prevent build up in air passages.

Never leave LP cannister exposed to direct sunlight or excessive heat.

Note: Wait until heater is cool before covering.

Service

To learn how to service and procure parts for worn out, defective or damaged components contact 1-800-762-1142 for assistance or e-mail CustomerService@BlueRhino.com. Please supply model number and serial ID number for best service support. These numbers can be found on a label on the rear of the Valve Housing.

Caution: Use only original equipment replacement parts. Use of unauthorized parts or modification of parts will void warranty and create an unsafe condition.

Caution: Always allow heater to cool before attempting service.

Warranty

Warranty Period

Heater's warranty extends for 2 years from date of purchase by original purchaser.

Warranty Terms

Manufactured by Blue Rhino Global Sourcing, LLC, 104 Cambridge Plaza Drive, Winston-Salem, NC 27104 USA.
1-800-762-1142.

Manufacturer will cover: All parts found to be defective due to materials or workmanship for 2 years from the date of original purchase.

Proof of purchase is required before warranty performance will be rendered. Sales receipt and validation of product registration are valid forms of proof of purchase.

Manufacturer will repair or replace parts returned prepaid freight in the U.S.A. at its sole discretion.

There are no other express or implied warranties.

Warranty Exclusion

Manufacturer will NOT cover:

Assembly or start-up

Normal adjustment to burner

Cleaning and/or general maintenance

Shipping damage

Any misuse which will be determined at the sole discretion of manufacturer

Damage or repairs due to service by an unauthorized agency or the use of unauthorized parts

Improper assembly, such as: no regulator, improper hook-up, etc.

Damage or repairs related to spider or insect nesting

Damage due to weather conditions

Warranty Procedures

For service or replacement parts, please call 1-800-762-1142 for return authorization and further instructions.

All returns must be sent via prepaid freight.

Legal Rights

No one else is authorized to make any warranties on behalf of manufacturer.

THIS WARRANTY IS IN LIEU OF ANY OTHER WARRANTY, EXPRESS OR IMPLIED, ORAL OR WRITTEN, INCLUDING, BUT NOT LIMITED TO, ANY WARRANTY OF MERCHANTABILITY OR FITNESS FOR A PARTICULAR PURPOSE.

BLUE RHINO GLOBAL SOURCING, LLC SHALL NOT BE LIABLE FOR ANY INCIDENTAL OR CONSEQUENTIAL DAMAGES RESULTING FROM ANY DEFECTIVE PRODUCT, INCLUDING, BUT NOT LIMITED TO, LOST REVENUE OR PROFITS, BUSINESS INTERRUPTION, OR ANY LEGAL THEORY UPON WHICH ANY CLAIM MAY BE BASED.

PURCHASER ASSUMES ALL RISK IN THE ASSEMBLY AND OPERATION OF THIS UNIT. FAILURE TO FOLLOW THIS MANUAL'S WARNINGS AND INSTRUCTIONS CAN RESULT IN SEVERE PERSONAL INJURY, DEATH OR PROPERTY DAMAGE.

Some states do not allow limitations on how long an implied warranty lasts, or the exclusion or limitation relevant to incidental or consequential damages.

This warranty gives you specific legal rights. You may also have other legal rights which vary from state to state.

Since product improvement is an ongoing process at the manufacturer, we reserve the right to change this product's specifications or design without notice.

**Contact 1-800-762-1142 for assistance.
Do not return to place of purchase.**

Endless Summer 

Specifications

Certifications:

CSA International Requirement 5.90 (5th Ed.)
Canadian National Standard CAN1-2.23-M82

Rating:

Maximum 11,000 BTU/hr. input

Heat Range:

Up to 10 foot diameter

Fuel:

Liquid Propane Gas (LP)

Cylinder Size:

Nominal 20 lb / 5 Gallon
OR
14.1 oz. (400 grams)
16.4 oz. (465 grams)

Inlet gas supply pressure:

Maximum – 150 PSI
Minimum – 5 PSI

Manifold Pressure:

11.00 in. W.C.

Supply Pressure:

0.41 psig (11.00 in. W.C.)

Engine:

IPP E8

Safety Features:

Oxygen Depletion Sensor (ODS) shutdown system
100% Burner shut-off
Tilt Switch

Manufacturer:

Blue Rhino Global Sourcing, LLC

Made In:

China