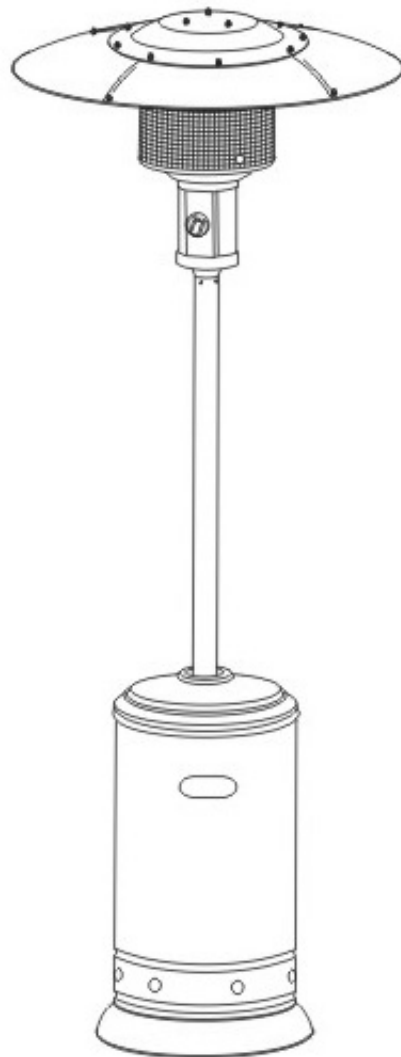




Patio Heater



(FOR OUTDOOR USE ONLY)



Manual, Instructions & Parts List

Well Traveled Living
716 South 8th Street, Amelia Island, FL 32034 USA
1-800-766-9633

TOOLS AND PARTS NEEDED FOR ASSEMBLY

 DANGER	CARBON MONOXIDE HAZARD
	<p>This appliance can produce carbon monoxide which has no odor.</p> <p>Using it in an enclosed space can kill you.</p> <p>Never use this appliance in an enclosed space such as a camper, tent, car or home.</p>

WARNING: Improper installation, adjustment, alteration, services or maintenance can cause injury, death or property damage. Read the installation, operating and maintenance instructions thoroughly before installing or servicing this equipment.

WARNING

For outdoor use only.

Cylinders to be used must be constructed and marked in accordance with US DOT specifications.

Storage indoors is permissible only if the cylinder is removed.

The unit should be secured or moved indoors if winds exceed 35 km/h.

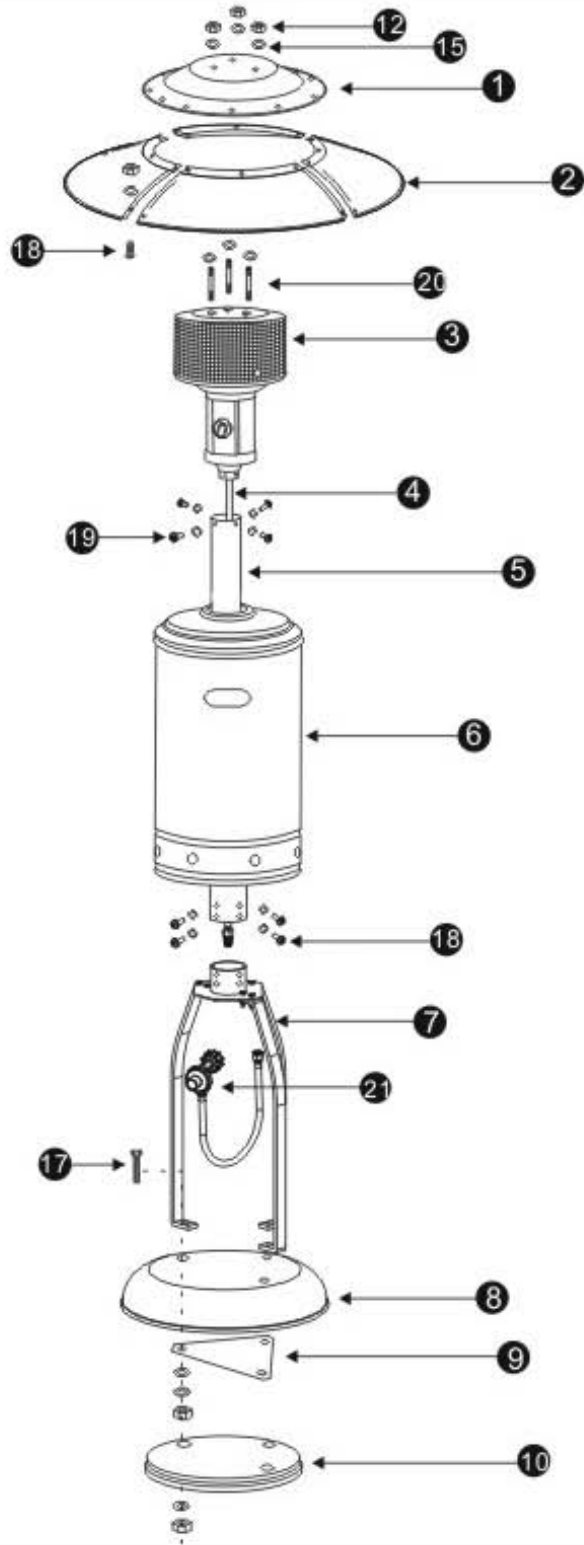
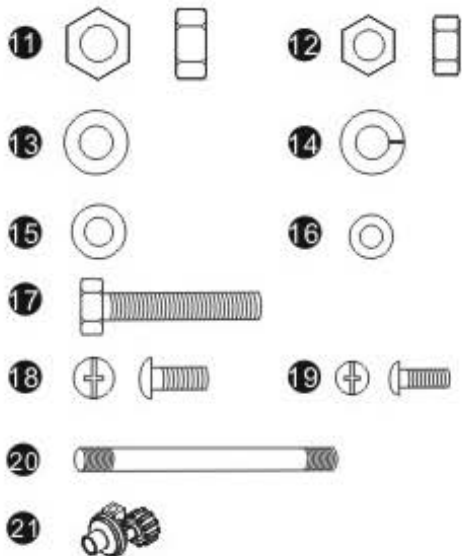
Note: 20 Pound, 5 Gallon LPG Tank is not supplied

TOOLS NEEDED:

- Adjustable Opening Wrench, 8" Long
- Phillips Head Screwdriver
- Leak Detection Solution (Instructions how to make solution are included in Step 8)

For questions, replacement parts, service help, or other assistance, please call Well Traveled Service Hotline at: 1-800-766-9633.

- ① 1 Center Reflector Cap
- ② 4 Reflector Cap
- ③ 1 Head Assembly
- ④ 1 Gas Hose
- ⑤ 1 Post
- ⑥ 1 Cylinder Cover
- ⑦ 3 Post Mounts
- ⑧ 1 Cylinder Base
- ⑨ 1 Reinforce Panel
- ⑩ 1 Weight Brick
- ⑪ 6 M8 Nuts
- ⑫ 15 M6 Nuts
- ⑬ 6 8mm Washers
- ⑭ 3 8mm Spring Washers
- ⑮ 24 6mm Washers
- ⑯ 4 5mm Washers
- ⑰ 3 M8 X 55 Bolt
- ⑱ 18 M6 X 10 Screw
- ⑲ 4 M5 X 8 Screw
- ⑳ 3 M6 X 70 Double Pointed Bolts
- ㉑ 1 Regulator
- ㉒ 1 Cylinder (Not Supplied)





PRECAUTIONS

NOTE: PLEASE READ THE FOLLOWING SAFETY RULES

WARNING:

This appliance must only be used outdoors. Using this product in an enclosed area may cause injury, death or property damage.

Read the instructions before use.

This appliance must be installed in accordance with such regulations as are in force.

Do not use the heater in an explosive atmosphere. Keep the heater away from areas where gasoline or other flammable liquids or vapors are stored.

Prior to use, check for damaged parts such as hoses, regulators, pilot or burner.

The installation of fixed appliances shall only be carried out by competent persons and be in accordance with the relevant Codes of Practice.

Warning: This appliance requires a gas hose and regulator, check with your gas supplier and or product supplier. Regularly check the gas hose and if necessary, replace the gas hose.

DISCONNECT LPG bottle before moving the heater.

Do not attempt to alter unit in any manner.

EXAMPLE: using the heater without the top canopy reflector or radiant screen.

Do not shorten the burner post assembly.

The appliance shall not be used in basements or below ground level.

It must always be placed on a solid and level surface.

Always assure there is ample fresh air ventilation.

For outdoor use ONLY

Maintain at least 24" side clearance and 36" top clearance to combustible materials & surfaces.

Never replace or substitute the regulator with any regulator other than the factory suggested replacement.

Do not clean the heater with cleaners that are combustible or corrosive.

Do not paint radiant screen, control panel or top canopy reflector.

All leak tests should be done with a soapy solution. **NEVER USE AN OPEN FLAME TO CHECK FOR LEAKS.**

The LP gas cylinder should be turned off when the heater is not in use.

At least once a year, the unit should be inspected for the presence of spiders, spider webs or other insects. Check the heater immediately if any of the following exist:

1. The smell of gas in conjunction with extreme yellow colored tips of the burner flames.
2. The heater does not reach temperature.
3. The burner makes popping noise during use (a slight popping noise is normal when the burner is extinguished after using).

The propane hose with regulator assembly shall be located out of pathways where people may trip over it or in areas where the hose will not be subject to accidental damage.

Children and adults should be aware of the hazards of high surface temperature and shall stay away to avoid clothing burn or ignition.

Young children should be carefully supervised when they are in the area of the heater.

Clothing or other flammable material should not be hung from the heater, or placed on or near the heater.

Any guard or other protective device removed for servicing the heater must be replaced prior to operating the heater.

Installation and repair should be done by a qualified service person. The heater should be inspected before use and cleaning may be required at least once a year, or as necessary. It is imperative that control compartment, burner and circulating air passageways of the heater be kept clean.

Keep the appliance area clear of combustible materials such as gasoline and other flammable vapors and liquids.

Do not obstruct the flow of combustion and ventilation air.

Keep the ventilation opening of the cylinder enclosure free and clear of debris.

Save these instructions! Retain in a safe place for future reference.

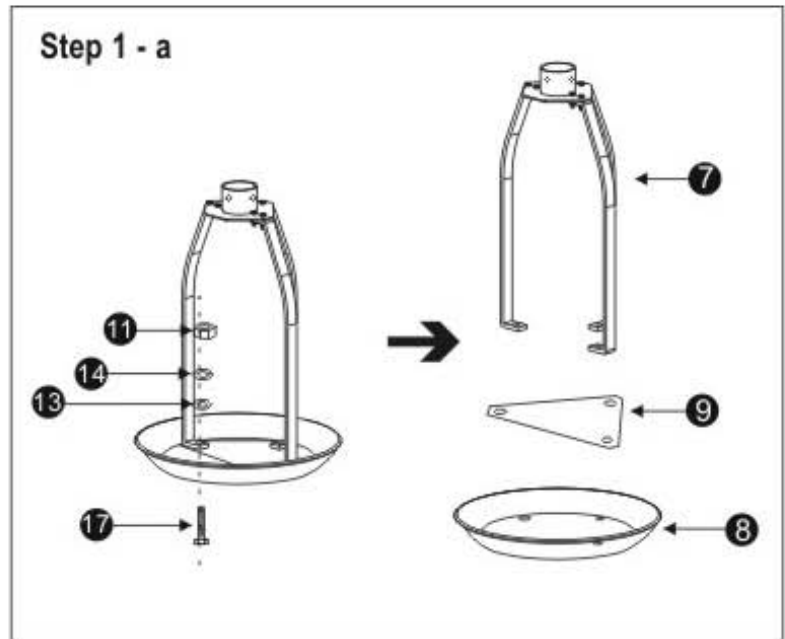
Well Traveled

Warning: This appliance requires installation by a competent person. Proper assembly is the responsibility of the installer.

Step 1 --- Assembly for Weight Brick

a. Disassemble post mounts, reinforce panel and cylinder base.

Unscrew 3pcs M8 X 55 Bolt from cylinder base, reinforce panel and post mounts.

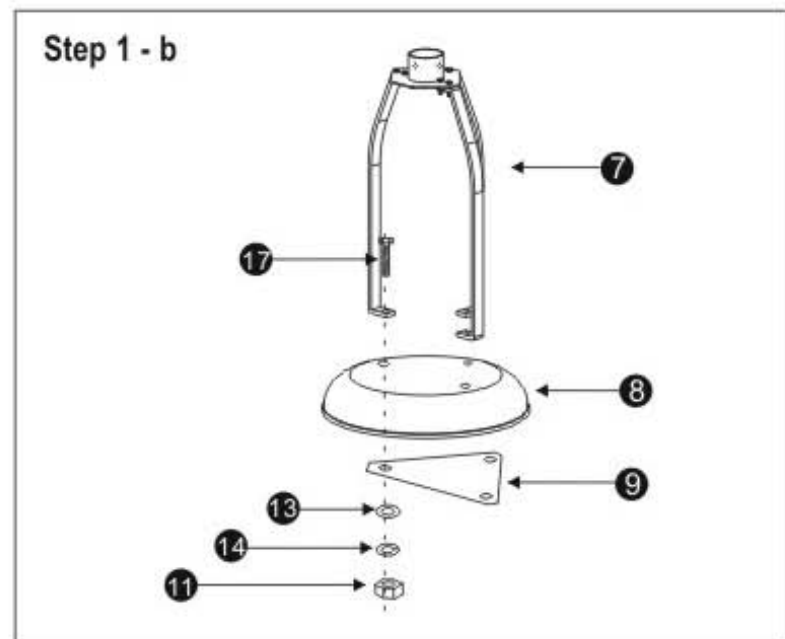


b. Attach post mounts and reinforce panel to cylinder base

Turn cylinder base upside down into normal position.

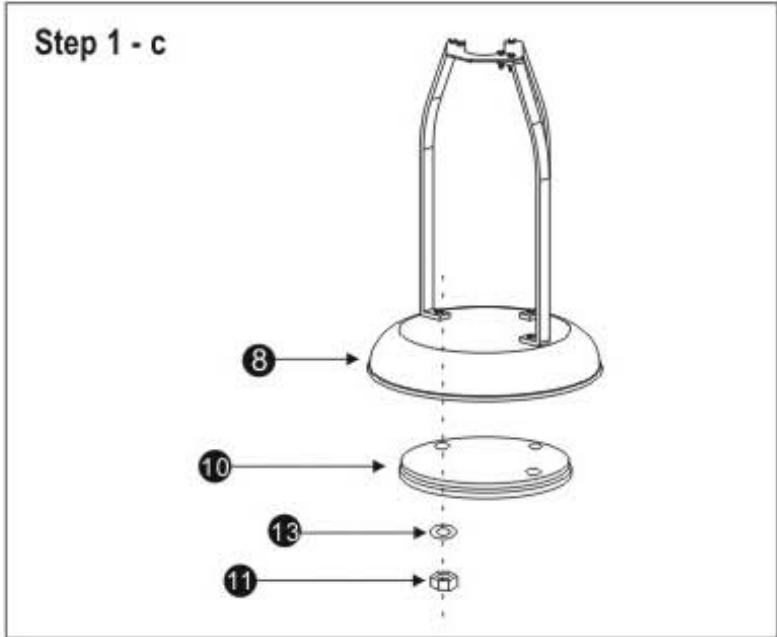
Place the post mounts on the top of cylinder base and place the reinforce panel at the bottom of cylinder base.

Then connect them using 3pcs M8 X 55 bolts, 3pcs 8mm washers, 3pcs 8mm spring washers and 3pcs M8 nut.



Warning: This appliance requires installation by a competent person. Proper assembly is the responsibility of the installer.

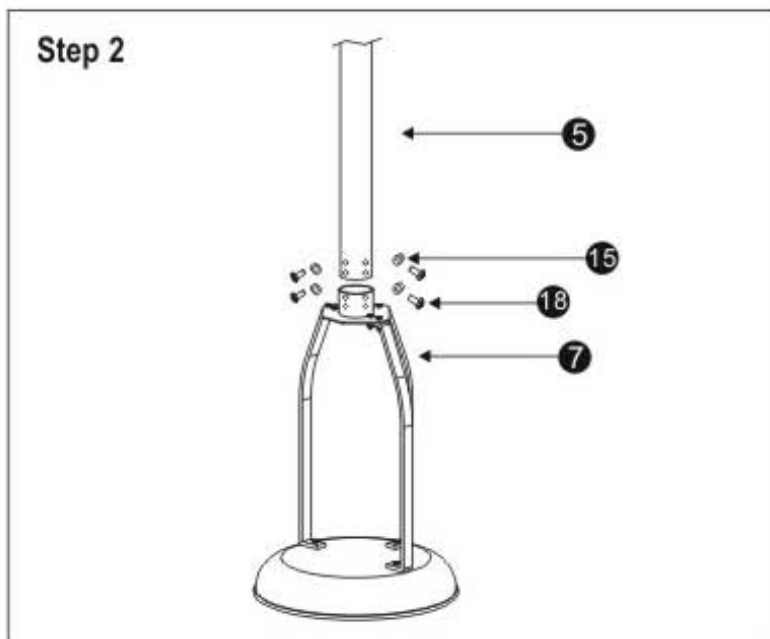
c. Attach weight brick to cylinder base
Attach weight brick to cylinder base using 3pcs 8mm washers and 3pcs M8 nuts.



Warning: This appliance requires installation by a competent person. Proper assembly is the responsibility of the installer.

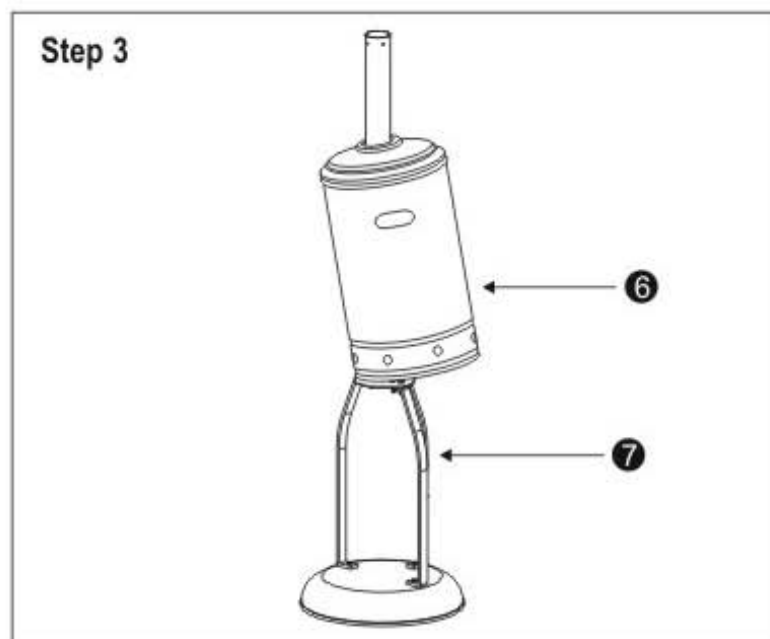
Step 2 --- Attach Post to Post Mounts

Attach the post to the post mounts using M6 X 10mm Screws(6 pcs) and 6mm washers (6 pcs) .



Step 3 --- Attach Cylinder Cover to Post Mounts

Attach the cylinder cover to the post mounts.





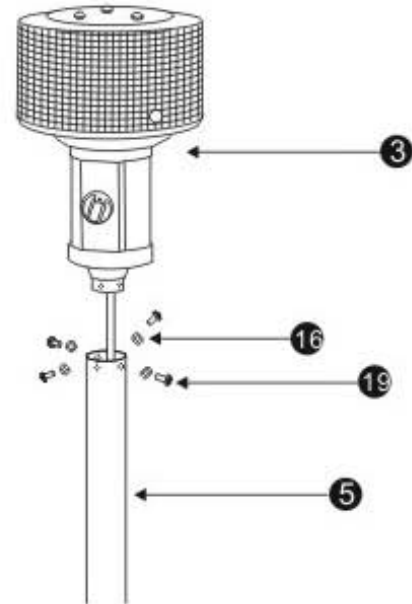
ASSEMBLY

Warning: This appliance requires installation by a competent person. Proper assembly is the responsibility of the installer.

Step 4 --- Attach Head Assembly to Post

Load head assembly by inserting gas hose into post. Insert head assembly into post. Tighten them by M5 X 8mm Screws(4 pcs), and 5mm washers (4 pcs) .

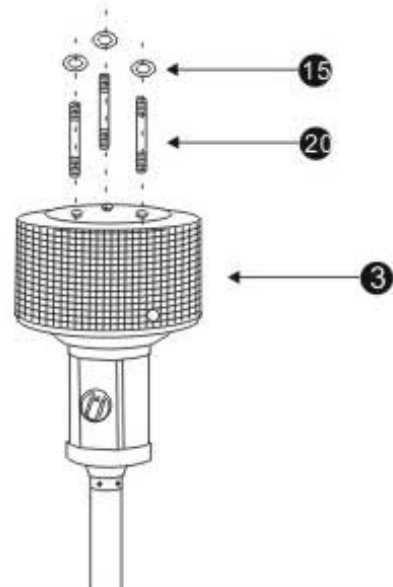
Step 4



Step 5 ---Attach Double Pointed Bolt to Head Assembly

Attach double pointed bolts (3 pcs) and 6mm washers (3 pcs) to the top of head assembly and tighten the bolts securely.

Step 5



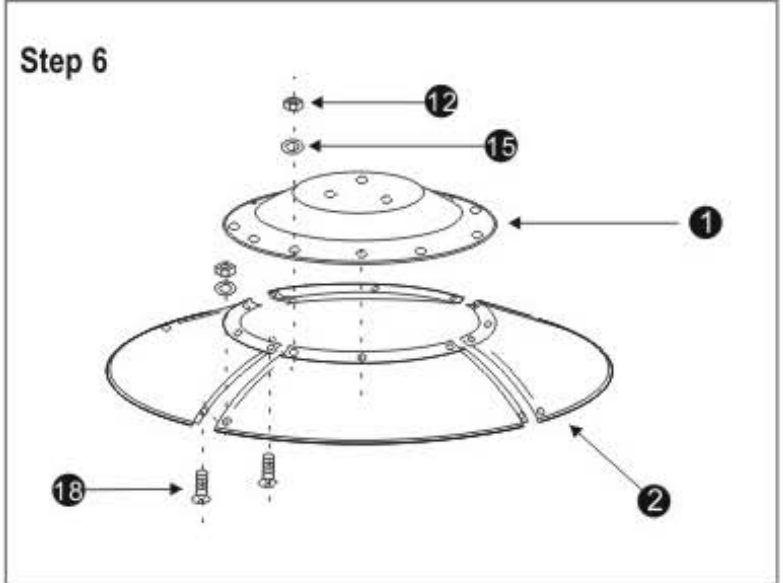
Well Traveled

ASSEMBLY

Warning: This appliance requires installation by a competent person. Proper assembly is the responsibility of the installer.

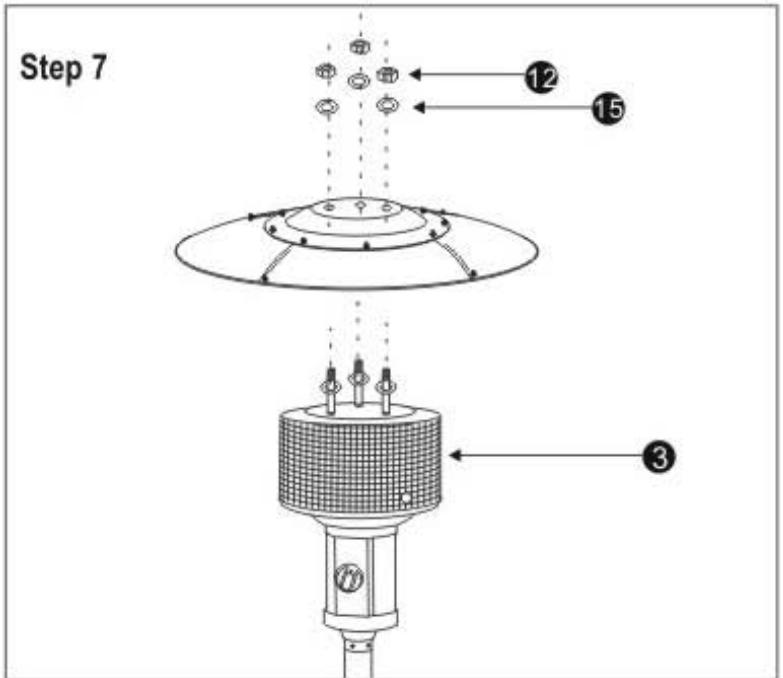
Step 6 --- Attach Center Reflector to Reflector

Attach center reflector to the top of reflector (4 pcs) by M6 X 10 mm screws (12 pcs), 6mm washers (12 pcs) and nuts (12 pcs).



Step 7 --- Attach Center Reflector and Reflector to the top of Head Assembly

Load center reflector and reflector to the top of head assembly by double pointed bolts (3 pcs), 6mm washers (3 pcs) and nuts (3 pcs)





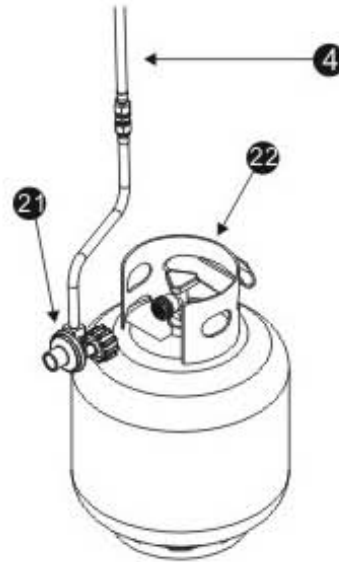
ASSEMBLY

NOTE: Assembly of this heater requires basic mechanical skills. Proper assembly is the responsibility of the installer.

Step 8 --- Connect Gas Line to Cylinder

Attach Gas hose to regulator hose with 3/8 Inch Open End Wrench and Adjustable Wrench.
Attach regulator to cylinder. Tighten securely.
Move cylinder to the plate of base assembly.

Step 8

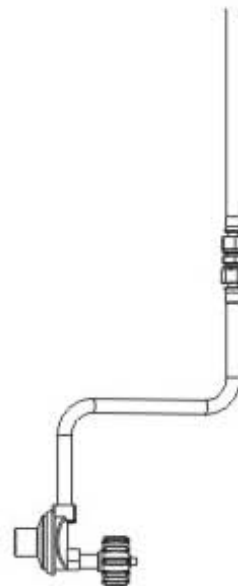


Step 9 --- Check for leak

Your Patio Heater has been checked at all factory connections for leaks. To check the Connection of the gas hose/regulator/cylinder.

- 1) Make leak solution by mixing 1 part liquid dish soap and 3 parts water.
- 2) Spoon several drops (or use squirt bottle) of the solution onto the gas hose/regulator and regulator/cylinder connection.
- 3) Inspect the connections and look for bubbles.
- 4) If no bubbles appear, the connection is safe.
- 5) If bubble appear, there is leak, loosen and re-tighten this connection.

Step 9

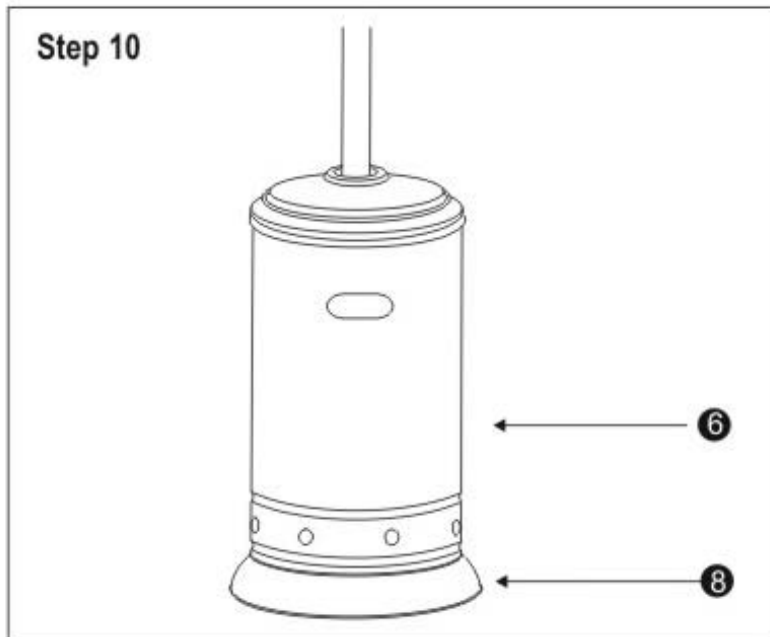


Well Traveled

WARNING :
TO BE INSTALLED ONLY BY A
COMPETENT PERSON

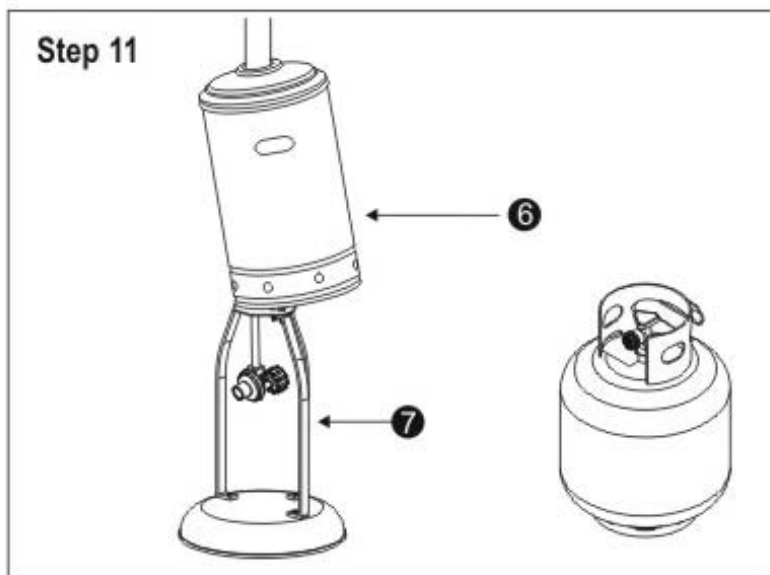
Step 10---Lower Cylinder Cover onto
Cylinder Base

Lower the cylinder cover onto the cylinder base .



Step 11---- Disconnect Cylinder
When Storing or Transporting

- 1). Turn off the heater
- 2). Turn off the valve of the cylinder
- 3). Upper the cylinder cover onto the post mounts .
- 4). Loosen the screw of cylinder and regulator.
- 5). Disconnect the cylinder from regulator.





The installation must conform with local codes or, in the absence of local codes, with the most current version of the National Fuel Gas Code, ANSI Z223.1

OPERATION

WARNING: DO NOT attempt to operate heater until you have read and understand all precautions.

Failure to do so can result in serious personal injury, death or property damage.

Before Turning Gas Supply ON

Your heater was designed and approved for OUTDOOR USE ONLY. Do NOT use it inside a building, or any other enclosed area.

Make sure surrounding areas are free of combustible materials, gasoline and other flammable vapors or liquids.

Ensure that there is no obstruction to air ventilation.

Be sure all gas connections are tight and there are no leaks.

Be sure the access panel is clear of debris.

Be sure any component removed during assembly or servicing is replaced and fastened prior to starting.

Before Lighting

Heater should be thoroughly inspected before each use, and by a qualified service person at least annually.

If relighting a hot heater, always wait at least 5 minutes.

Our heater is tested for quality assurance.

Ignition attempts should succeed 8 out of 10 attempts.

LIGHTING INSTRUCTIONS

- 1) Turn the control knob to "OFF" position.
- 2) Fully open gas valve
- 3) Push in gas control knob and turn counter clockwise to "IGNITE" then to "PILOT" position, this will light the pilot.
If needed, keep depressing and turning control knob counter clockwise until the pilot lights. (You will hear 2 clicking noises)
- 4) Once the pilot is lit, continue to keep the control knob depressed for at least 30 seconds. After 30 seconds release control knob.
- 5) If pilot does not stay lit, repeat steps 3 and 4.
- 6) If pilot still does not stay lit, then:
 - a) Push in gas control knob and turn counter clockwise to "IGNITE" then to "PILOT"
 - b) keep depressing the control knob, put long stem lighter into the Ignition Hole on the emitter screen to light the pilot.
 - c) repeat step 4.
- 7) Push in and turn control knob counter clockwise to "LOW" position, release knob then turn to low. If you want a higher temperature, push in the control knob and turn counter clockwise to the "HIGH" position.

Note: The flame pattern at the emitter screen should be visually checked whenever heater is operated. Normally the burner flame is blue, but little yellow flame is acceptable.

If flames extend beyond surface of the emitter grid, or the phenomena of flame lift or light back, or black spot is accumulating on the emitter grid or reflector, the heater should be turned off immediately. The heater should not be operated again until the unit is serviced and or repaired.

If you experience any ignition problem, turn off the heater and gas supply, and consult "Troubleshooting" on page 17.

WARNING

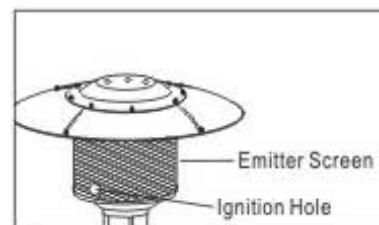
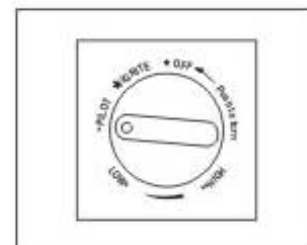
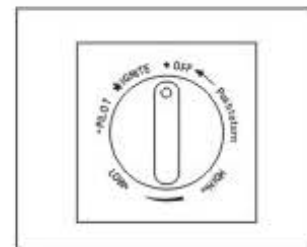
FOR YOUR SAFETY:

If at any time you are unable to light burner and smell gas, wait 5 minutes to allow gas to dissipate before attempting to light heater. If, after 1 minute, you are unable to light burner, wait 5 minutes and allow flammable vapors to dissipate before attempting to light heater again.

WARNING

FOR YOUR SAFETY:

DO NOT touch or move heater for at least 45 minutes after use. Allow emitter and dome to cool before touching.





OPERATION

CAUTION : Avoid inhaling fumes emitted from the heater's first use. Smoke and odor from the burning of oils used in manufacturing will appear. Both smoke and odor will dissipate after approximately 30 minutes. The heater should NOT produce thick black smoke.

NOTE:

The burner may be noisy when initially turned on. To eliminate excessive noise from the burner, turn the Control Knob to the "LOW" position. Then, turn the knob to the level of heat desired.

Warning: White smoke may appear around the radiant head during the first minutes of the initial firing.

When heater is ON:

Emitter screen will become bright red due to intense heat. The color is more visible at night. Burner will display tongues of blue flame. These flames should not be yellow or produce thick black smoke, indicating an obstruction of airflow through the burners.

Operation Pressure Checked

If the flame is very small, this is because the supply pressure is not enough.

RELIGHT

- 1) Turn the control knob to "OFF" position.
- 2) Wait five (5) minutes before attempting to relight pilot.
- 3) Repeat steps beginning with step 2 above.

Before Leaving

- 1) Turn the control knob to "OFF" position and Turn LP cylinder to "OFF" position.
- 2) Never leave the patio heater unattended while in use.

SHUT DOWN INSTRUCTIONS

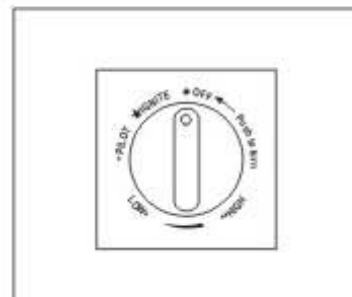
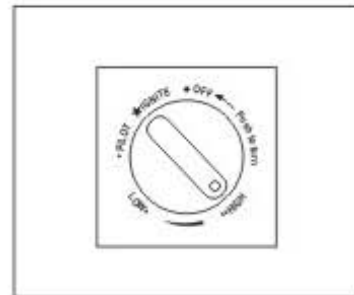
- 1) Push in and turn control knob clockwise to "OFF" position.
- 2) Turn L.P. tank gas valve clockwise to "OFF" position when heater is not in use

Note: After use, some discoloration of the emitter screen is normal.

The Event of Gas Leakage

- 1) Turn the control knob to "OFF" position.
- 2) Turn LP cylinder to "OFF" position.
- 3) Wait 5 minutes to allow gas to dissipate.
- 4) If odor continues, immediately call gas supplier.

WARNING : Heater will be hot after use.
Handle with extreme care.





LOCATING HEADER FOR USE

BE CAREFUL: WHEN CERTAIN MATERIALS OR ITEMS ARE LEFT, ABOVE, BESIDE OR UNDER THIS HEATER WHILE IN USE, THEY WILL BE SUBJECT TO RADIANT HEAT AND COULD BE SERIOUSLY DAMAGED.

This heater is primarily used for the heating of outdoor patios, decks, spas, pool and open working areas.

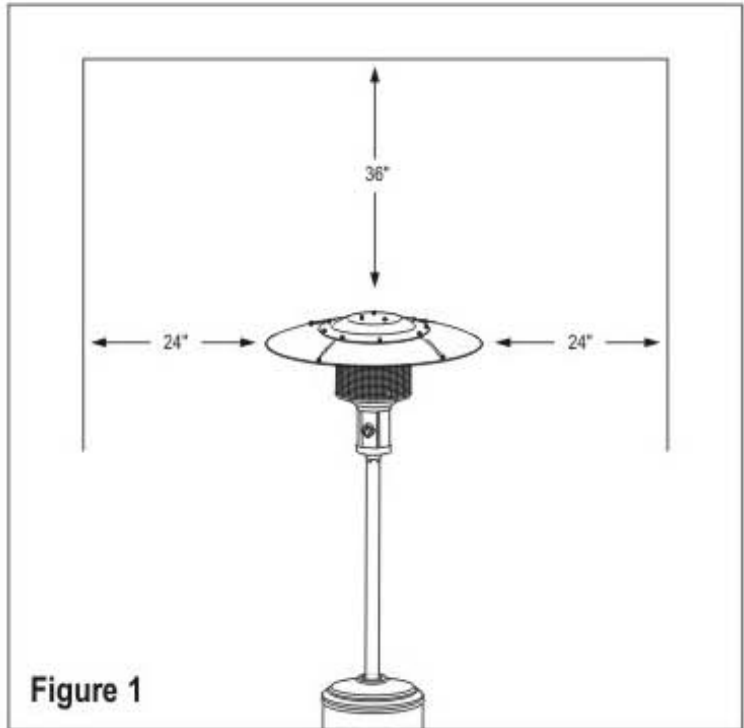
Always make sure that adequate fresh air ventilation is provided. Follow the spacing tolerances shown in Figure 1.

The minimum clearances, shown in Figure 1, must be maintained at all times.

The installation must conform to local codes, or in the absence of local codes, with the standard for the storage and handling of liquid petroleum gases, ANSI/NFPA 58-1986, or most recent addition. For Canada, with the current CAN1-B149.

This heater must be placed on level, firm ground.

Never operate in an explosive atmosphere. Keep away from areas where gasoline or other flammable liquids or vapors are stored or used.



Check Your Hose Assembly:

The installation of fixed appliances shall only be carried out by competent persons and be in accordance with the relevant Codes of Practice.

Warning: This appliance requires a gas hose and regulator, check with your gas supplier and or product supplier. **Regularly check** the gas hose and if necessary, replace the gas hose.

Prior to use, check for damaged parts such as hoses, regulators, pilot or burner.

Never replace or substitute the regulator with any regulator other than the factory suggested replacement.

Check Your Flame:

The flame pattern at the **Emitter Screen** should be **Visually Checked** whenever heater is operated.

Normally the burner flame is blue, but little yellow flame is acceptable.

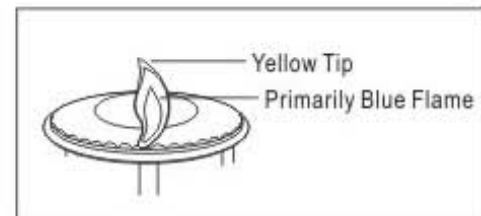
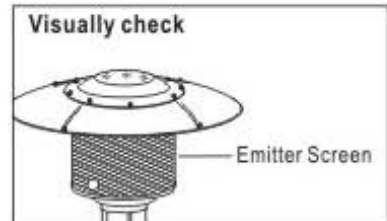
If flames extend beyond surface of the emitter grid, or the phenomena of flame lift or light back, or black spot is accumulating on the emitter grid or reflector, the heater should be **Turned OFF** immediately.

The heater should not be operated again until the unit is serviced and or repaired.

Clean:

To enjoy years of outstanding performance from your heater make sure you perform the following maintenance activities on a regular basis:

- Keep exterior surfaces clean.
 - Use warm soapy water for cleaning. Never use flammable or corrosive cleaning agents.
 - While washing your unit, be sure to keep the area around the burner and pilot assembly dry at all times. If the gas control is exposed to water in any way, do NOT try to use it. It must be replaced.
- Air flow must be unobstructed. Keep controls, burner, and circulating air passageways clean. Signs of possible blockage include:
 - Gas odor with extreme yellow tipping of flame.
 - Heater does NOT reach the desired temperature.
 - Heater glow is excessively uneven.
 - Heater makes popping noises.
- Spiders and insects can nest in burner or orifices. This dangerous condition can damage heater and render it unsafe for use. Clean burner holes by using a heavy-duty pipe cleaner. Compressed air may help clear away smaller particles.
- Carbon deposits may create a fire hazard. Clean dome and engine with warm soapy water if any carbon deposits develop.



WARNING

FOR YOUR SAFETY :

DO NOT touch or move heater for at least 45 minutes after use. Allow all burner elements to cool before touching.

NOTE

In a salt-air environment (such as near an ocean), corrosion occurs more quickly than normal. Frequently check for corroded areas and repair them promptly.



STORAGE

STORAGE :

Between uses:

- Turn the control knob to "OFF" position.
- Turn LP cylinder to "OFF" position.
- Store heater upright in an area sheltered from direct contact with inclement weather (such as rain, sleet, hail, snow, dust and debris).
- If desired, cover heater to protect exterior surfaces and to help prevent debris in air passages.

During periods of extended inactivity or when transporting;

- Turn the control knob to "OFF" position.
- Disconnect LP Cylinder and move to a secure, well-ventilated location outdoors. **Do NOT** store in a location that will exceed 125 degrees F.
- The propane cylinder must be stored outdoors in well-ventilated area, and it must be out of reach of children, and not in a building, garage or any other enclosed area.
- Store heater upright in an area sheltered from direct contact with inclement weather (such as rain, sleet, hail, snow, dust and debris). If desired, cover heater to protect exterior surfaces and to help prevent debris in air passages.

NOTE

Wait until heater is cool before covering.



TROUBLESHOOTING

PROBLEM	PROBABLE CAUSE	SOLUTION
Pilot will not light	Gas valve may be OFF	Turn the gas valve ON
	Fuel Tank empty	Refill LP gas tank
	Orifice blocked	Clean or replace Orifice
	Air in supply system	Purge air from lines
	Loose connection	Check all fittings
Pilot will not stay on	Debris around pilot	Clean dirty area
	Loose connection	Tighten connection
	Thermocouple bad	Replace Thermocouple
	Gas leak in line	Check connections
	Lack of fuel pressure	Fuel tank is near empty
Burner will not light	Pressure is low	Fuel tank is near empty
	Orifice blocked	Remove, clean and replace
	Control Valve not ON	Turn valve to ON
	Thermocouple bad	Replace Thermocouple
	Pilot light assembly bent or not in correct location	Place pilot in proper position and retry



WARRANTY

LIMITED PRODUCT WARRANTY:

Our products have been manufactured under the highest standards of quality and workmanship. We warrant to the original consumer purchaser that all aspects of this product will be free of defects in material and workmanship for one (1) year from the date of purchase. A replacement for any defective part will be supplied free of charge for installation by the consumer. Defects or damage caused by the use of other than genuine parts are not covered by this warranty. This warranty shall be effective from date of purchase as shown on the purchaser's receipt.

This warranty is valid for the original consumer purchaser only and excludes industrial, commercial or business use of the product, product damage due to shipment or failure which result from alteration, product abuse, or product misuse, whether performed by a contractor, service company, or consumer. We will not be responsible for labor charges and/or damage incurred in installation, repair or replacement, nor for incidental or consequential damage.



Well Traveled Living
716 South 8th Street
Amelia Island, FL 32034
USA
1-800-766-9633