

Bringing  
Innovation to  
the Rehab  
World

# ADAPTA<sup>®</sup>

Electric High-Low  
Treatment Tables



## User Manual

**Models:**

ADP100

ADP300

ADP140

ADP340



ISO 13485/ ISO 9001 Certified



# TABLE OF CONTENTS

Adapta® Electric High-Low Treatment Tables

<b>Foreword</b> . . . . .	1
<b>Precautionary Instructions</b> . . . . .	2-3
Precautionary Instructions . . . . .	2-3
<b>Nomenclature</b> . . . . .	4-5
Models ADP100 and ADP140 . . . . .	4
Models ADP300 and ADP340 . . . . .	5
<b>Specifications</b> . . . . .	6-11
Electric Motor for Models ADP100 and ADP300 . . . . .	6
Electric Motor for Models ADP140 and ADP340 . . . . .	7
Model ADP100 . . . . .	8
Model ADP140 . . . . .	9
Model ADP300 . . . . .	10
Model ADP340 . . . . .	11
<b>Operation</b> . . . . .	12-15
Raising & Lowering Table . . . . .	12
Models ADP300 and ADP340 Head Section . . . . .	13
Models ADP300 and ADP340 Mid Section . . . . .	13
Models ADP300 and ADP340 Lower Section . . . . .	14
Relocating the Table . . . . .	15
Relocating the Table (Optional Retractable Caster) . . . . .	15
<b>Maintenance</b> . . . . .	16
Cleaning . . . . .	16
Factory Service . . . . .	16
<b>Warranty</b> . . . . .	17



# FOREWORD

Thank you for purchasing the Chattanooga Group Adapta Electric High-Low Treatment Table.

This manual contains general safety, operating, maintenance and care instructions for the owners and operators of the Adapta Electric High-Low Treatment Table Models ADP100, ADP140, ADP300 and ADP340.

At the time of publication the information contained herein was current and up-to-date. However, due to continual technological improvements and Chattanooga Group's policy of continual improvement, Chattanooga Group reserves the right to make periodic changes and improvements to their equipment and documentation without any obligation on the part of Chattanooga Group.

Read, understand and follow the information contained in this manual.

Observe all applicable operating instructions and precautionary measures for use of treatment tables.

Never transport a patient on a Adapta Electric High-Low Treatment Table. These tables are not designed to support a patient during transport.

# PRECAUTIONARY INSTRUCTIONS

Adapta® Electric High-Low Treatment Tables

## Precautionary Instructions

The precautionary instructions found in this section and throughout this manual are indicated by specific symbols. Understand these symbols and their definitions before operating this equipment. The definition of these symbols are as follows:



**= CAUTION-** Text with a “CAUTION” indicator will explain possible Safety infractions that could have the potential to cause minor to moderate injury or damage to equipment.



**= WARNING-** Text with a “WARNING” indicator will explain possible Safety infractions that will potentially cause serious injury and equipment damage.



**= DANGER-** Text with a “DANGER” indicator will explain possible Safety infractions that are imminently hazardous situations that would result in death or serious injury.



**= EXPLOSION HAZARD-** Text with an “Explosion Hazard” indicator will explain possible safety infractions if this equipment is used in the presence of flammable anesthetics.

**NOTE:-** Throughout this manual “NOTE” may be found. These Notes are helpful information to aid in the particular area or function being described.



## CAUTION

- Read, understand and practice the precautionary and operating instructions found in this manual. Know the limitations and hazards associated with using any Adapta Electric High-Low Treatment Table. Observe any and all precautionary and operational decals placed on the unit.
- Support the table section(s) when making any adjustments.
- Do not exceed the table weight capacity of 400 lbs (182 kg). (Models ADP100 and ADP300 only)
- Do not exceed the table weight capacity of 500 lbs (227 kg). (Models ADP140 and ADP340 only)

# PRECAUTIONARY INSTRUCTIONS

Adapta® Electric High-Low Treatment Tables

## WARNING

- Make certain that the unit is electrically grounded by connecting only to a grounded electrical service receptacle conforming to the applicable national and local electrical codes.
- Children must be supervised by a responsible adult when around this equipment.
- Move hands and feet away from the working mechanism of the table when making any and all adjustments to height or table sections.
- When making adjustments to the table sections, make certain the patient weight is removed before adjusting.
- Do not transport patients on the table. These tables are not designed to support a patient during transport.
- Do not sit or allow patients to sit on the Head Section of the Models ADP300 and ADP340 tables. The Head Section will involuntarily lower as it is not designed to support sitting.

## DANGER



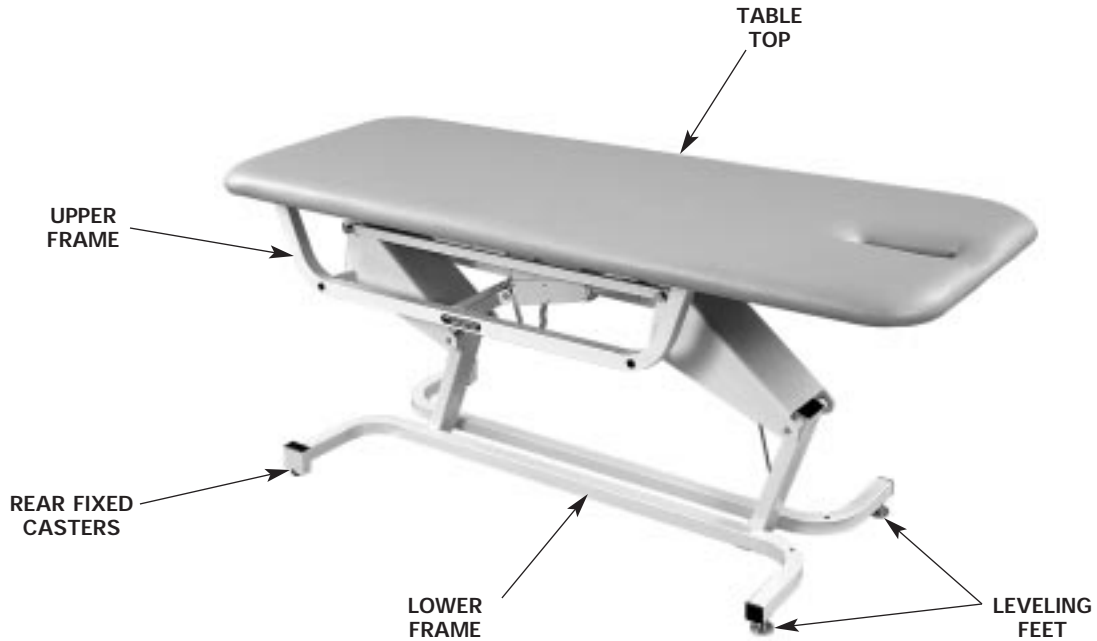
- Explosion hazard if used in the presence of flammable anesthetics. The warning symbol for this hazard is prominently displayed on the serial number decal.

These tables should only be operated by trained personnel familiar with the precautionary measures and operational functions associated with the table being used.

# NOMENCLATURE

Adapta® Electric High-Low Treatment Tables

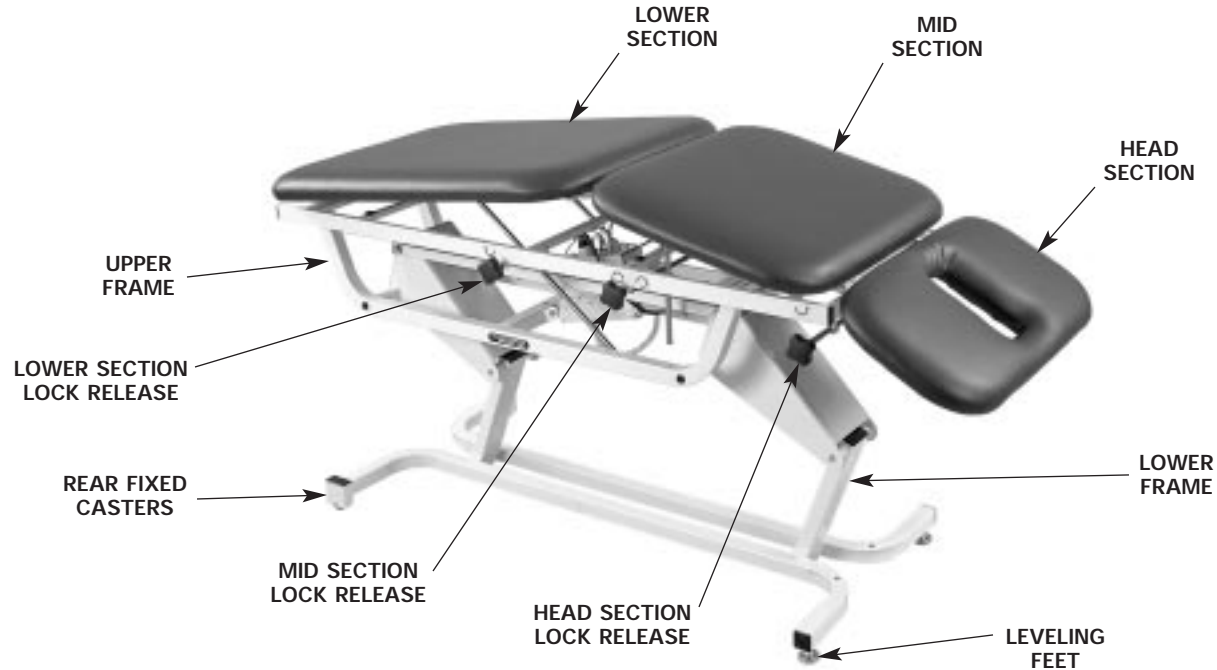
## Models ADP100 and ADP140



# NOMENCLATURE

Adapta® Electric High-Low Treatment Tables

## Models ADP300 and ADP340



# SPECIFICATIONS

Adapta® Electric High-Low Treatment Tables

## Electric Motor

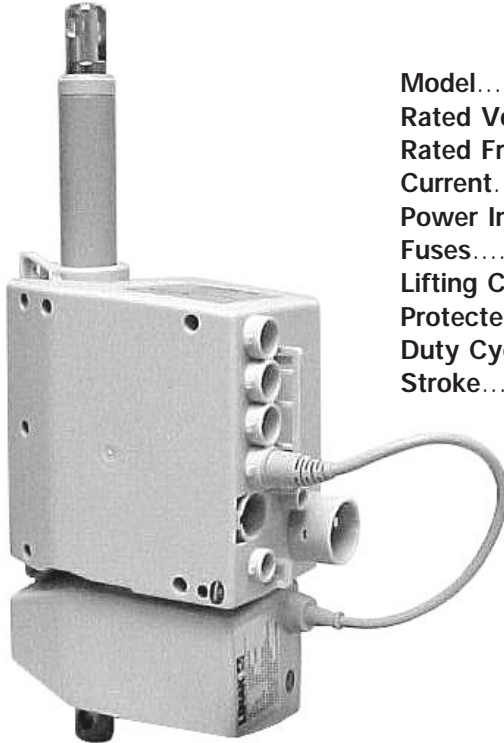
## Motor for ADP100 and ADP300

### 120 Volt Model

**Model**.....Linak  
**Rated Voltage**.....120 V  
**Rated Frequency**.....60 Hz  
**Current**.....1.6 A  
**Power Input**.....200 W  
**Fuses**.....1.6A (Non-serviceable)  
**Lifting Capacity**.....400 lbs (182kg)  
**Protected**.....Class I, Type B  
**Duty Cycle**.....10%  
**Stroke**.....7.875" (20 cm)

### 230 Volt Model

**Model**.....Linak  
**Rated Voltage**.....230 V  
**Rated Frequency**.....50-60 Hz  
**Current**.....1.0 A  
**Power Input**.....230 W  
**Fuses**.....1.0 A (Non-serviceable)  
**Lifting Capacity**.....400 lbs (182 kg)  
**Protected**.....Class I, Type B  
**Duty Cycle**.....10%  
**Stroke**.....7.875" (20 cm)



# SPECIFICATIONS

Adapta® Electric High-Low Treatment Tables

## Electric Motor

### Motor LA-34 for ADP140 and ADP340



#### 120 Volt Motor

**Model**.....Linak LA-34  
**Rated Voltage**.....120V  
**Rated Frequency**.....60 Hz  
**Current**.....2.7 A  
**Fuses**.....3.0A (Non-serviceable)  
**Lifting Capacity**.....500 lbs (227 kg)  
**Protected**.....Class I, Type B  
**Duty Cycle**.....10%  
**Stroke**.....5.97" (15.2 cm)

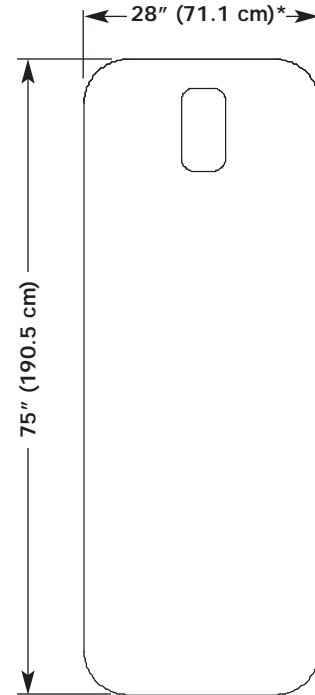
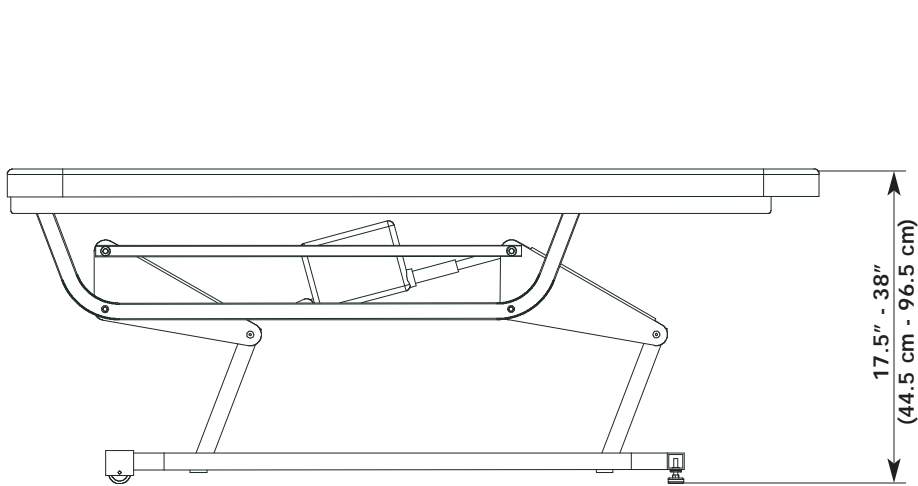
#### 230 Volt Motor

**Model**.....Linak LA-34  
**Rated Voltage**.....230V  
**Rated Frequency**.....50-60 Hz  
**Current**.....1.5 A  
**Fuses**.....1.5A (Non-serviceable)  
**Lifting Capacity**.....500 lbs (227 kg)  
**Protected**.....Class I, Type B  
**Duty Cycle**.....10%  
**Stroke**.....5.97" (15.2 cm)

# SPECIFICATIONS

Adapta® Electric High-Low Treatment Tables

## Model ADP100



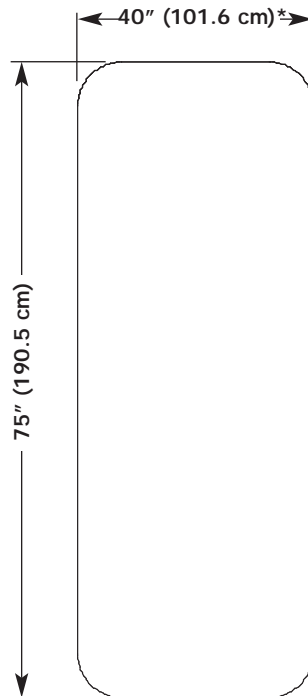
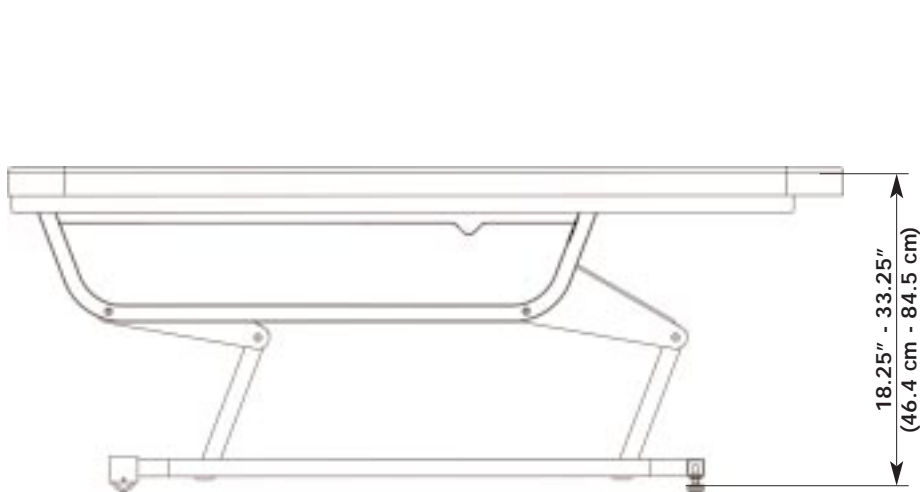
\* Available in the following widths by special order;

- 25" (63.5 cm)
- 30" (76.2 cm)

# SPECIFICATIONS

Adapta® Electric High-Low Treatment Tables

## Model ADP140



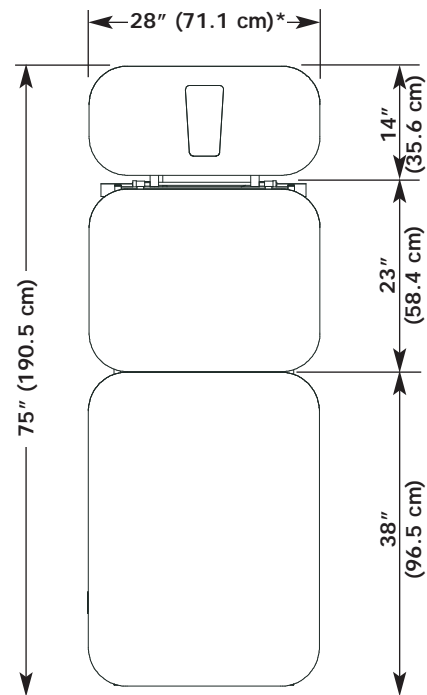
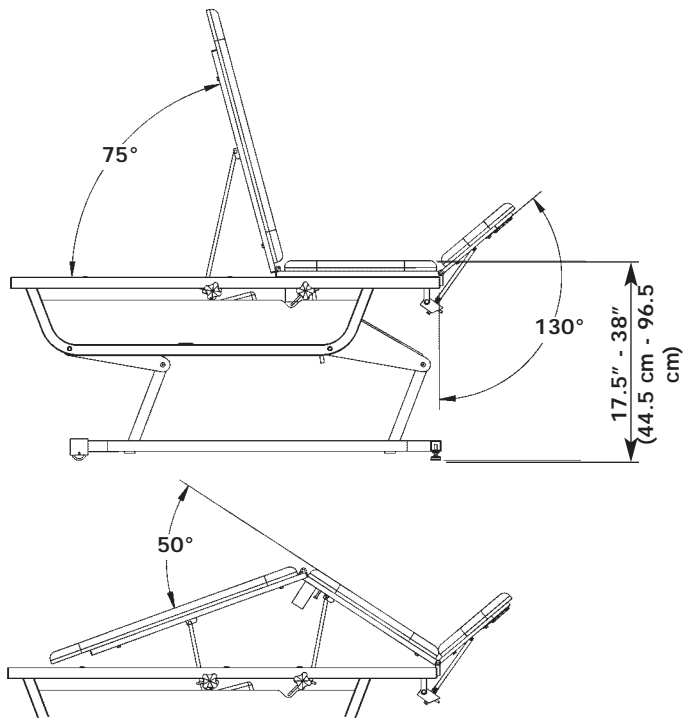
### CAUTION

- Read, understand and practice the precautionary and operating instructions found in this manual. Know the limitations and hazards associated with using any Adapta Electric High-Low Treatment Table. Observe any and all precautionary and operational decals placed on the unit.
- Do not exceed the table weight capacity of 500 lbs. (227 kg).

# SPECIFICATIONS

Adapta® Electric High-Low Treatment Tables

## Model ADP300



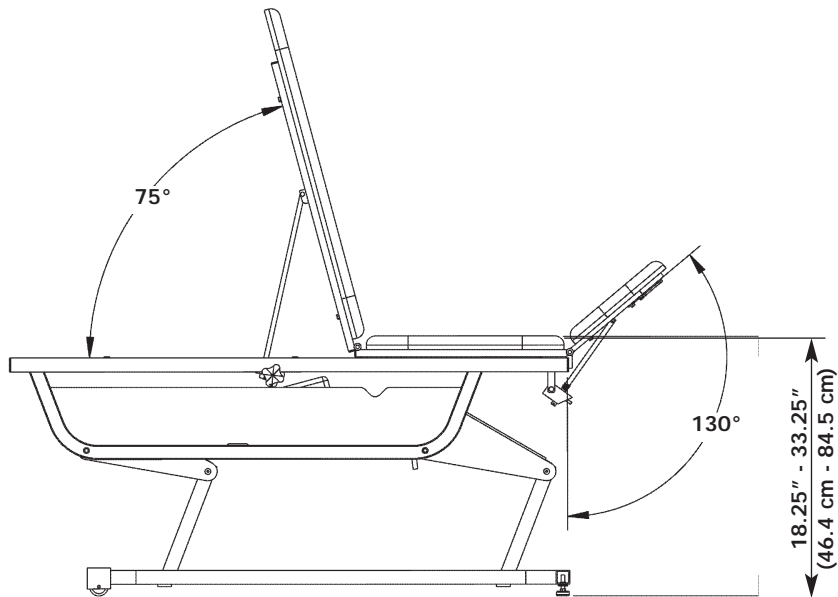
\* Available in the following widths by special order;

- 25" (63.5 cm)
- 30" (76.2 cm)

# SPECIFICATIONS

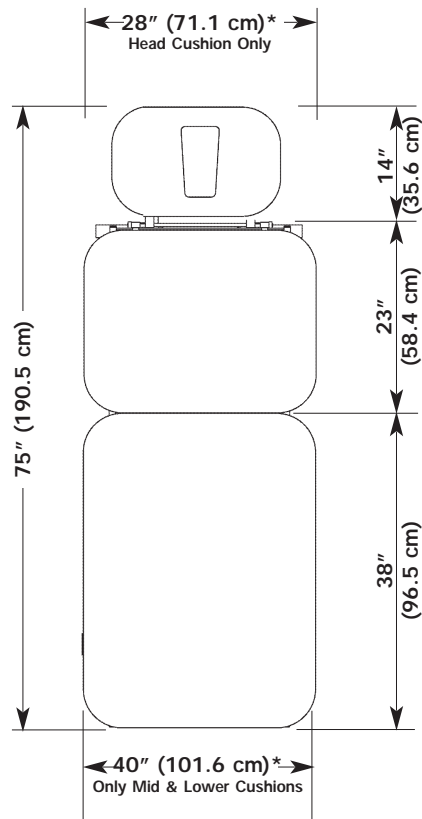
Adapta® Electric High-Low Treatment Tables

## Model ADP340



### CAUTION

- Read, understand and practice the precautionary and operating instructions found in this manual. Know the limitations and hazards associated with using any Adapta Electric High-Low Treatment Table. Observe any and all precautionary and operational decals placed on the unit.
- Support the table section(s) when making any adjustments.
- Do not exceed the table weight capacity of 500 lbs. (227 kg).



# OPERATION

Adapta® Electric High-Low Treatment Tables

Models ADP100, ADP140, ADP300 and ADP340

## **WARNING**

Move hands and feet away from the working mechanism of the table when making any and all adjustments to height or table sections.



### **Raising & Lowering Table**

Press the corresponding button on the Pendant to raise or lower table to desired height.

# OPERATION

Adapta® Electric High-Low Treatment Tables

## Adjusting Table Sections - Models ADP300 and ADP340

### **WARNING**

When making adjustments to the table sections, make certain the patient weight is removed before adjusting.



#### **Elevating Head Section**

Raise the Head Section by hand to desired elevation.



#### **Lowering Head Section**

Rotate the Head Section Lock Release toward Head Section and lower Head Section to the desired elevation.

Support Head Section when Lowering.



#### **Elevating Mid Section**

Support the Mid Section with one hand. Turn the lock release toward Head Section with the other hand. After the Mid Section is at approximately 10° elevation, the lock release knob may be released and the Mid Section raised to the desired elevation.



#### **Lowering Mid Section**

Support the Mid Section with one hand and turn the Lock Release toward the Lower Section with the other and slowly lower the Mid Section to the desired elevation.

# OPERATION

## Adjusting Table Sections- Models ADP300 and ADP340 (Continued)

### **WARNING**

When making adjustments to the table sections, make certain the patient weight is removed before adjusting.

Move hands and feet away from the working mechanism of the table when making any and all adjustments to height or table sections.



#### **Elevating Lower Section**

Raise Lower Section to the desired elevation.



#### **Lowering Lower Section**

Turn the Lower Section Lock toward Head Section and move Lower Section down to desired elevation.

Support section when lowering.

# OPERATION

Adapta® Electric High-Low Treatment Tables

## Relocating the Table



### WARNING

Do not transport patients on the table. These tables are not designed to support a patient during transport.

#### Moving Models ADP100 and ADP140 Tables

Carefully lift the table at the head section and move the table to the desired location.

Use proper lifting posture when moving the table.

#### Moving Models ADP300 and ADP340 Tables

Raise the Head section to its maximum position. Then, using proper lifting posture, lift the table by the frame and move table to the desired location.

## Relocating the Table (Optional Retractable Caster)



### Moving the Table

Push the Caster Lock Lever completely down with foot. This will bring the swivel caster down to allow the table to be moved to another location.



### Parking the Table

After moving table to desired location, raise Caster Lock Lever with toe of shoe. This will raise the swivel caster and cease table movement.

## CLEANING

After each use, clean the table using a soft cloth dampened with water and a mild antibacterial detergent.

## SERVICE

Should the Adapta Electric High-Low Treatment Table require service, contact the selling dealer or Chattanooga Group Service Department. All returned units to the factory for service must include the following:

### WARRANTY REPAIR/OUT OF WARRANTY REPAIR

1. Written statement containing the following information:
  - RGA Number- Obtain from Factory
  - Unit Model Number
  - Unit Serial Number
  - Contact person with Phone and Fax Numbers
  - Billing Address (for Out of Warranty Repair)
  - Shipping Address (Where to Ship Unit after Repair)
  - Detailed Description of Problem or Symptoms
2. Copy of original invoice issued at purchase of the unit.
3. Ship unit to Factory in the original container with all accessories and information as required in item one above to:

Chattanooga Group  
4717 Adams Road  
Hixson, TN 37343

Phone: USA: (800) 592-7329

Canada: (800) 361-3661

Outside USA: (423) 870-7200

FAX: (423) 875-5497

Web Address: [www.chattgroup.com](http://www.chattgroup.com)

Service to these units should be performed only by Service Technicians Certified by Chattanooga Group.

# WARRANTY

## Adapta® Electric High-Low Treatment Tables

Chattanooga Group ("Company") warrants that the Adapta® Electric High-Low Treatment Table Models: ADP100, ADP140, ADP300 and ADP340 ("Product") are free of defects in material and workmanship. This warranty shall remain in effect for one year (12 months) from the date of original consumer purchase. If this Product fails to function during the one year warranty period due to a defect in material or workmanship, Company or the selling dealer will repair or replace this Product without charge within a period of thirty (30) days from the date on which the Product is returned to the Company or the dealer.

All repairs to the Product must be performed by a service center authorized by the Company. Any modifications or repairs performed by unauthorized centers or groups will void this warranty.

To participate in warranty coverage, this Product's warranty registration card (included with Product) must be filled out and returned to the Company by the original owner within ten (10) business days of purchase.

This Warranty Does Not Cover:

Replacement parts or labor furnished by anyone other than the Company, the selling dealer or a certified Company service technician.

Defects or damage caused by labor furnished by someone other than Company, the selling dealer or a certified Company service technician.

Any malfunction or failure in the Product caused by product misuse, including, but not limited to, the failure to provide reasonable and required maintenance or any use that is inconsistent with the Product User's Manual.

### **COMPANY SHALL NOT BE LIABLE IN ANY EVENT FOR INCIDENTAL OR CONSEQUENTIAL DAMAGES.**

Some states do not allow the exclusion or limitation of incidental or consequential damages, so the above limitation or exclusion may not apply to you.

To Obtain Service From Company or the selling dealer under this warranty:

1. A written claim must be made within the warranty period to the Company or the selling dealer. Written claims made to the Company should be sent to:

4717 Adams Road  
P.O. Box 489  
Hixson, TN 37343 USA  
Telephone: (423) 870-2281  
Facsimile: (423) 875-5497  
Outside USA: + 1 (423) 870-7200

and

2. The Product must be returned to the Company or the selling dealer by the owner.

This warranty gives you specific legal rights and you may also have other rights which vary from state to state.

The Company does not authorize any person or representative to create for it any other obligation or liability in connection with the sale of the Product.

Any representation or agreement not contained in the warranty shall be void and of no effect.

**THE FOREGOING WARRANTY IS IN LIEU OF ALL OTHER WARRANTIES, EXPRESSED OR IMPLIED, INCLUDING ANY WARRANTY OR MERCHANTABILITY OR FITNESS FOR A PARTICULAR PURPOSE.**





## More Trusted Products from Chattanooga Group

### **Achiever™**

Supports

### **Adapta™**

Treatment Tables

### **A.E.R. Boot® and Compression System**

Auto Edema Reduction Boot

### **Baseline® Measurement Instruments**

Dynamometers, Goniometers, etc.

### **boo-boo pac™**

Child Size Bear-Shaped Cold Pack

### **Cambion®**

Shock Dampening Foot Care Products

### **Carpal-Trac™**

Carpal Traction Accessory

### **Cervical Traction System**

Clinical Cervical Traction

### **Chattanooga Exerciser™**

Exercise Equipment

### **ColPaC™**

Chilling Units and Reusable Cold Therapy Products

### **Conductor Gel™**

Highly Conductive Ultrasound Gel

### **Contracture Products**

Contracture Management Orthotic Products

### **CTS™**

Carpal Tunnel Stretching Device

### **DURA-STICK® Electrodes**

Self-Adhesive Electrodes

### **EMG Retrainer® and EMG Retrainer® IR**

Dual Channel Surface EMG

### **FlexiPAC®**

Reusable Hot and Cold Compresses

### **Gel Medex™**

Gel Mattress Overlay

### **Handisizer™**

Hand Exerciser

### **Hydrocollator™**

Heating Units and HotPacs™

### **Intellect® Legend**

Ultrasound and Electrotherapy Products

### **Magneciser™**

Exercise Equipment

### **Myossage®**

Massage Lotion

### **Nylatex®**

Elastic Wraps

### **OptiFlex® and OptiFlex® S**

Continuous Passive Motion

### **Opti-Ice™**

Cold Therapy System

### **Para-Care®**

Paraffin Wax Unit and Accessories

### **Pillow Perfect™**

Cervical Pillow Line

### **Pivotal Therapy System™**

Orthotics for the Spine

### **PR™ and PR II™**

Pressure Reduction Wheelchair Cushions

### **ProPower Pillow™**

Power Massage Pillow

### **PresSsion®**

Intermittent Compression

### **Pron Pillo®**

Positioning Pillow

### **QuikWrap™**

Deluxe Universal Belt System

### **SensaFlex™**

Hot and Cold Compress

### **SPORT-PAC™**

Soccer Ball Shaped Cold Pack

### **Theratherm™**

Digital Moist Heating Pad

### **ThermaWrap™**

Hot and Cold Compression

### **Tru-Trac®**

Traction Equipment

### **TX®**

Treatment and Traction Equipment

### **Versa Bath Seat™**

Aid to Daily Living

### **Wellness 1st™**

Back Support

### **Women's Contour Back Support**

Back Support

Bringing  
Innovation to  
the Rehab  
World



ISO 13485/ ISO 9001 CERTIFIED

4717 Adams Road  
P.O. Box 489  
Hixson, TN 37343 U.S.A.  
1-423-870-2281  
1-800-592-7329 U.S.A.  
1-800-361-6661 CANADA  
+ 1-423-870-2046 OUTSIDE U.S.A. FAX  
[www.chattgroup.com](http://www.chattgroup.com)

© 2002 Encore Medical

86072B