

Assembly Instructions for the Classic Clinician

Parts Included:



1 - Table Top



1 - Shelf



4 - Main Legs
w/extensions



1 - Wrench

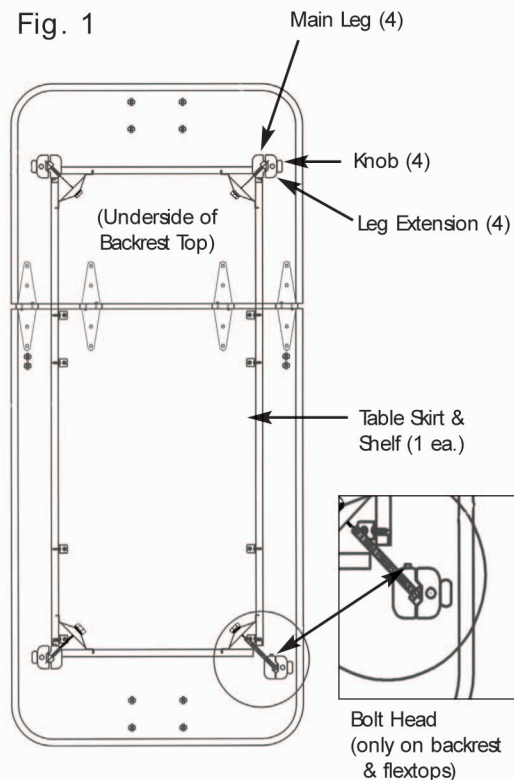


8 - Washers



8 - Nylock
Nuts

Fig. 1



Instructions for Assembly:

- 1) Place the table top upside down on the floor.
- 2) Place the shelf upside down on top of the table skirt. (Fig. 1)
 - Each leg has a number by the top bolt that corresponds with a number on the inside corners of the table's base.
 - Note: Bolt head (found only on tables with backrest or flextop) must fit snugly in to a groove in the ends of the skirt sides (Fig. 1 Close-up)
- 3) Place the top leg bolt through the metal corner bracket in one corner of the table skirt. (Fig. 2) On tables with a backrest or flextop, be sure that the bolt head is in the groove. (Fig. 3)
- 4) Lift the same corner of the table shelf and place the bottom leg bolt through the metal corner brackets on the shelf.
- 5) Place a flat washer and nut on each bolt. Hand tighten
- 6) Repeat steps 3-5 on remaining corners, installing the remaining three leg assemblies to the skirt and shelf.
- 7) Using the included wrench, or a 1/2" socket wrench, tighten all eight nuts securely.

Fig. 2

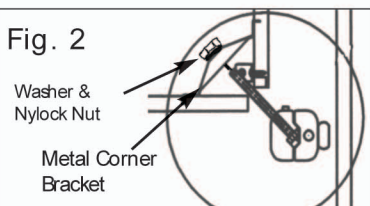
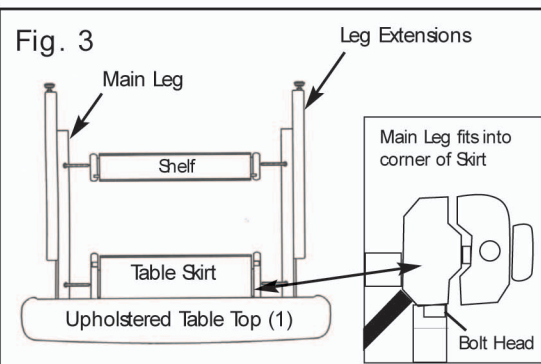


Fig. 3



OAKWORKS®, Inc.

923 East Wellspring Rd., New Freedom, PA 17349

Toll Free Phone: 800.558.8850

Phone: 717.235.6807

Toll Free FAX: 877.562.4787

FAX: 717.235.6798

www.oakworks.com

