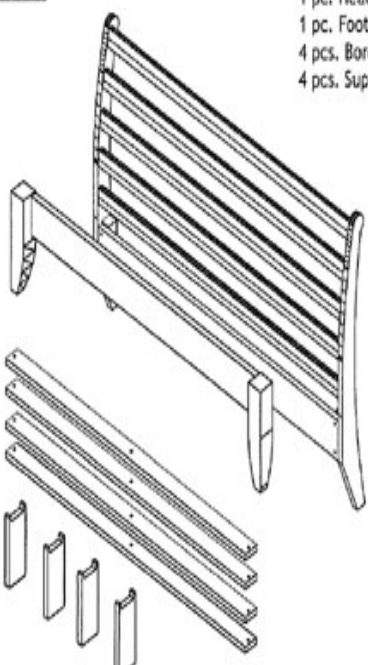
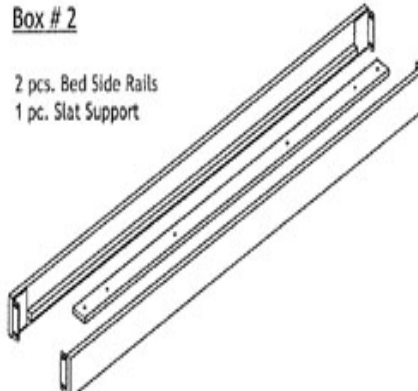
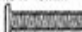
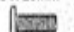


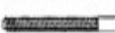




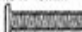
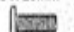


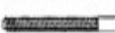




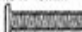
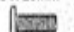


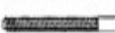




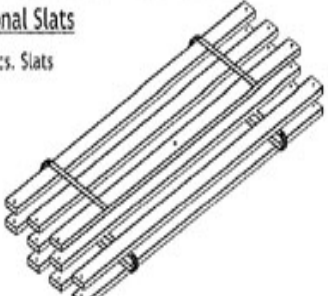



Bed Assembly Instructions

Parts And Fittings Packing Detail

<p>Box # 1</p> <p>1 pc. Head Board 1 pc. Foot Board 4 pcs. Bored Slat 4 pcs. Support Leg</p> 	<p>Box # 2</p> <p>2 pcs. Bed Side Rails 1 pc. Slat Support</p> 	<p>Hardware Pack in Box #1</p> <table border="0"> <tr> <td>Bolt M8 x 40mm - 4 pcs </td> <td>Bolt M8 x 20mm - 4 pcs </td> </tr> <tr> <td>Washer - 8 pcs. </td> <td>Barrel Nuts - 4 pcs. </td> </tr> <tr> <td>Bolts M6 x 70mm - 4 pcs. </td> <td>Bolts M6 x 40mm - 2 pcs. </td> </tr> <tr> <td>M4 x 32mm Screw - 8 pcs. </td> <td>4mm Allen Key - 1 pc. </td> </tr> <tr> <td></td> <td>5mm Allen Key - 1 pc.</td> </tr> </table>	Bolt M8 x 40mm - 4 pcs 	Bolt M8 x 20mm - 4 pcs 	Washer - 8 pcs. 	Barrel Nuts - 4 pcs. 	Bolts M6 x 70mm - 4 pcs. 	Bolts M6 x 40mm - 2 pcs. 	M4 x 32mm Screw - 8 pcs. 	4mm Allen Key - 1 pc. 		5mm Allen Key - 1 pc.
Bolt M8 x 40mm - 4 pcs 	Bolt M8 x 20mm - 4 pcs 											
Washer - 8 pcs. 	Barrel Nuts - 4 pcs. 											
Bolts M6 x 70mm - 4 pcs. 	Bolts M6 x 40mm - 2 pcs. 											
M4 x 32mm Screw - 8 pcs. 	4mm Allen Key - 1 pc. 											
	5mm Allen Key - 1 pc.											
<p>Optional Slats</p> <p>10 pcs. Slats</p> 		<p>Slat Hardware</p> <p>32mm Screw - 20 pcs. (Wrapped in separate plastic bag)</p> 										

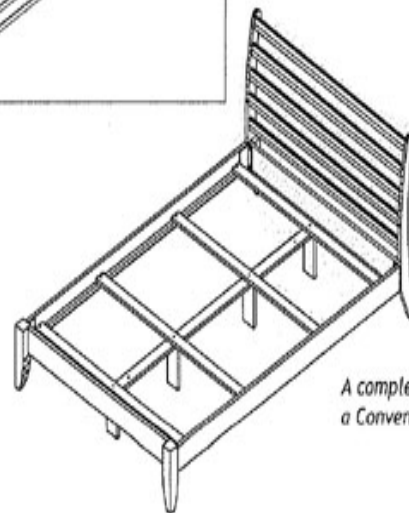
Page 1 of 2

CORONADO BED



LIFESTYLE SOLUTIONS

The Fusion Of Function And Comfort With Style



A complete assembled view of a Conventional Bed

Bed Assembly Instructions

CORONADO BED

Step 1/Diagram 1

Fix both side rails to the Head Board and Foot Board as shown in diagram 1 with the 20mm bolts and washers.

Step 2/Diagram 2

Spread out all the slats on to the slat support and fasten it down with 2nos M6 x 40mm bolts at the second hole at both ends with pre-inserted nut facing down as shown in the diagram 2.

Step 3/Diagram 3

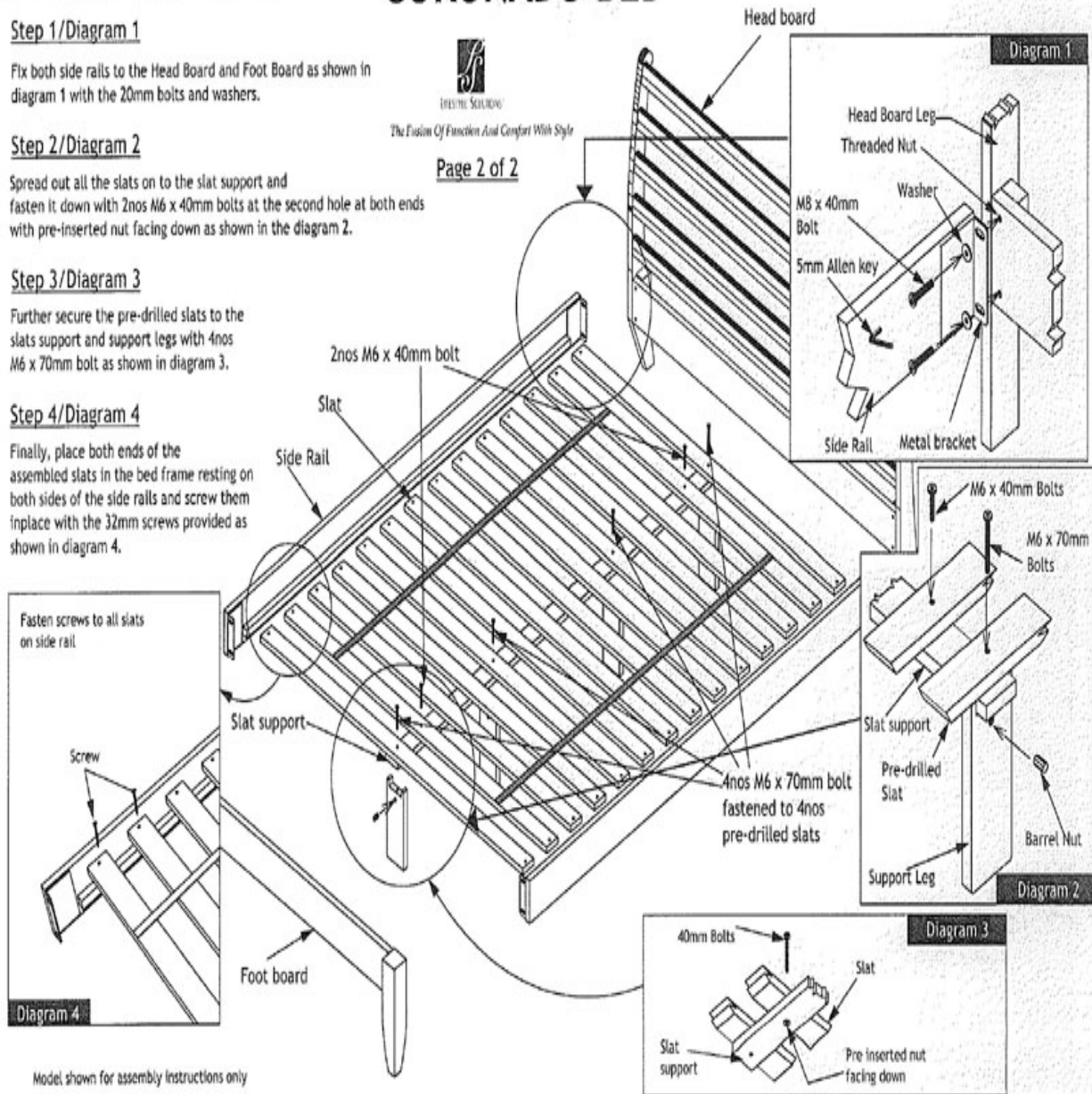
Further secure the pre-drilled slats to the slats support and support legs with 4nos M6 x 70mm bolt as shown in diagram 3.

Step 4/Diagram 4

Finally, place both ends of the assembled slats in the bed frame resting on both sides of the side rails and screw them in place with the 32mm screws provided as shown in diagram 4.



Page 2 of 2



Model shown for assembly instructions only