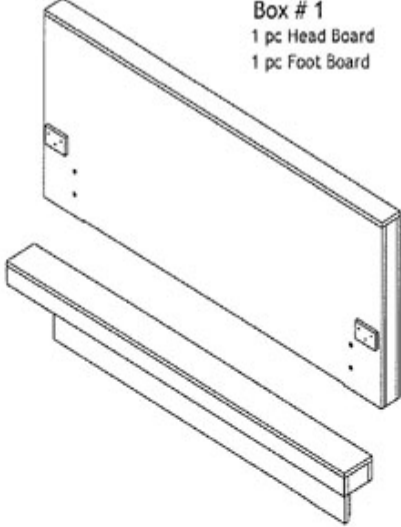
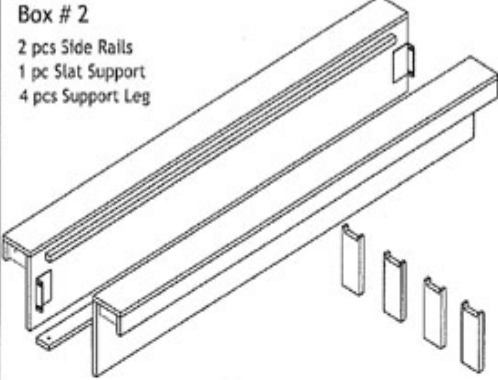
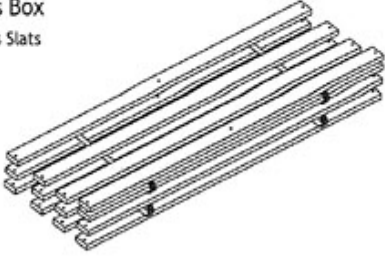


Bed Assembly Instructions

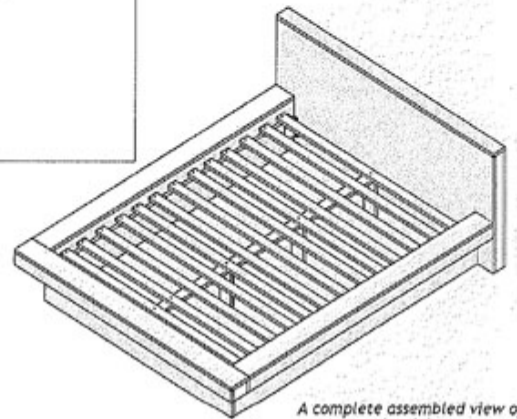
<p>Box # 1 1 pc Head Board 1 pc Foot Board</p> 	<p>Box # 2 2 pcs Side Rails 1 pc Slat Support 4 pcs Support Leg</p> 	<p>Hardware Pack in Box #1</p> <ul style="list-style-type: none">M6 x 70mm JCBC - 4 pcsM8 x 20mm Bolt - 8 pcsFlat Washer - 12 pcsSpring Washer - 12 pcs5mm Allen key - 1 pcM6 x 35mm JCBC - 4 pcsBarrel Nut - 4 pcs4mm Allen Key - 1pc
<p>Slats Box 13 pcs Slats</p> 		<p>Hardware Pack In Slats Box</p> <ul style="list-style-type: none">M4 x 32mm Screw - 26 pcs (Wrapped in separate Plastic Bag)

ZURICH BED



LIFESTYLE SOLUTIONS

The Fusion Of Function And Comfort With Style



A complete assembled view of a Conventional Bed

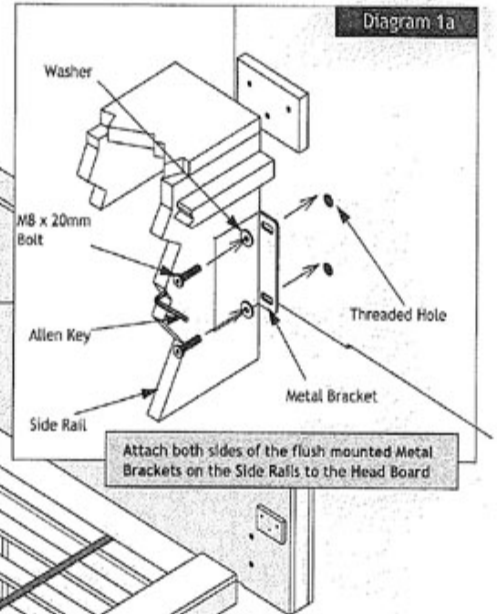
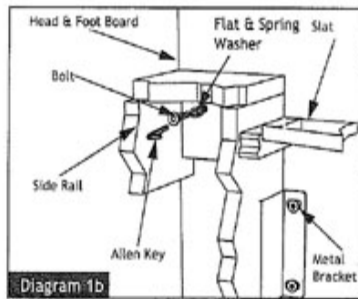
Bed Assembly Instructions

ZURICH BED

Step 1/Diagram 1a & 1b

Fix both side rails to the Head Board and Foot Board as shown in diagram 1a with the 20mm bolts and washers.

Do not tighten all the bolts at this point. Carefully thread in the M6 x 35mm JCBC Bolts through the side rail end as shown in diagram 1b to the Head/Foot Board insert nut. Tighten all 12 bolts when the Head/Foot Board and side rails only when they are fully assembled together.

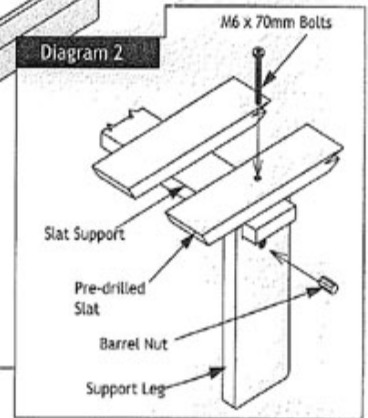
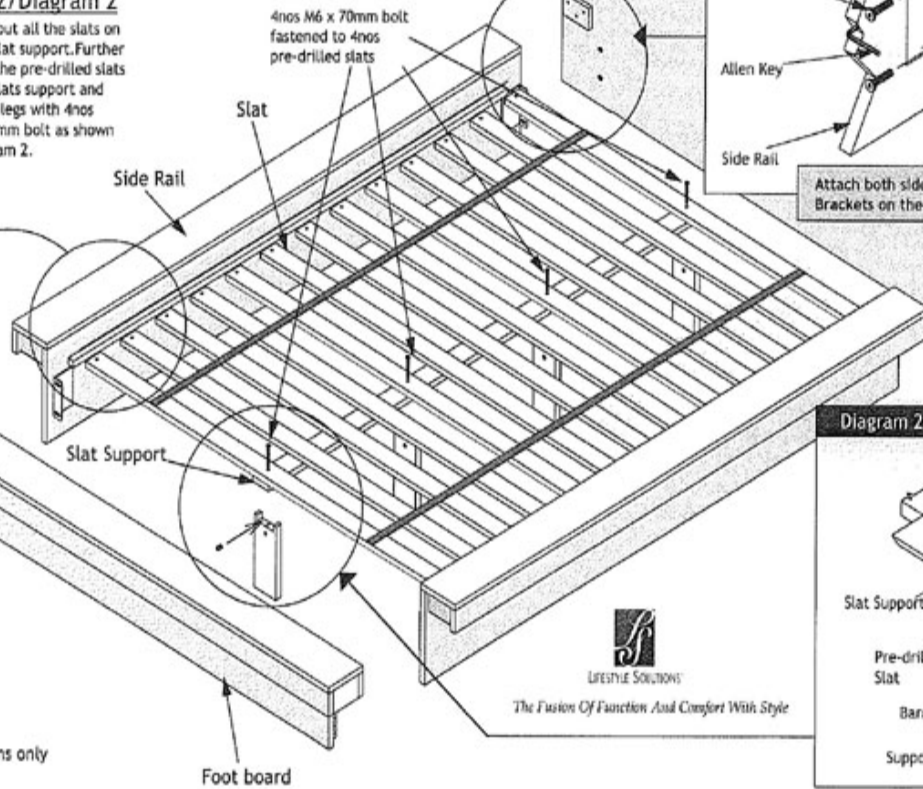
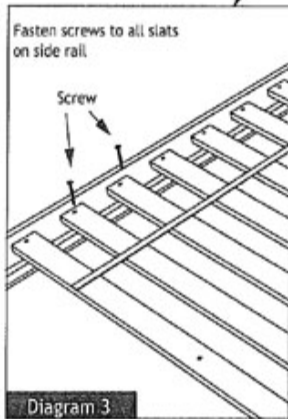


Step 2/Diagram 2

Spread out all the slats on to the slat support. Further secure the pre-drilled slats to the slats support and support legs with 4nos M6 x 70mm bolt as shown in diagram 2.

Step 3/Diagram 3

Place both ends of the assembled slats in the bed frame resting on both sides of the side rails and screw them in place with the 32mm screws provided as shown in diagram 3.



Model shown for assembly instructions only

LIFESTYLE SOLUTIONS
The Fusion Of Function And Comfort With Style