



2511 Reliance Ave.  
 Apex, NC 27539  
 Phone: 800-520-7471  
 Fax: 919-362-4765  
 Web Site: www.ofminc.com  
 E-mail: ofm@ofminc.com

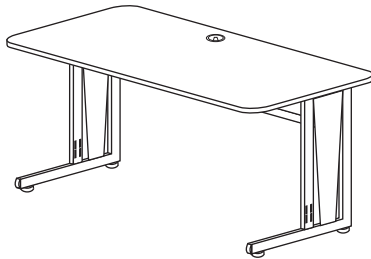
## ASSEMBLY INSTRUCTIONS

### INSTRUCTIVO DE ENSAMBLE

MOD. 55103

BASIC DESK

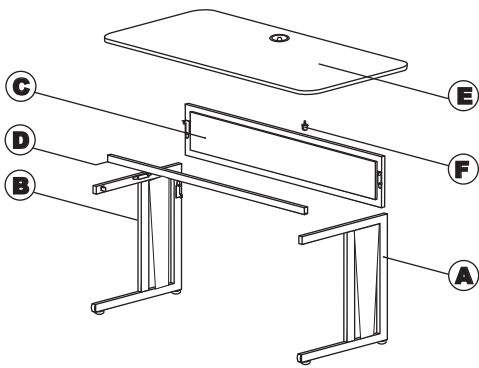
ESCRITORIO BASICO



**AT** 5 min  
 STANDS FOR ASSEMBLY TIME

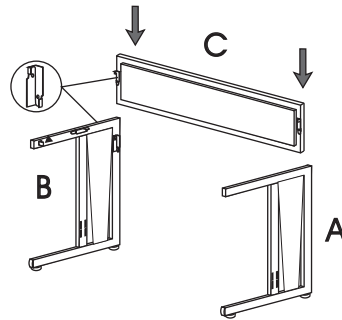
PATENT PENDING

PATENTE EN TRAMITE

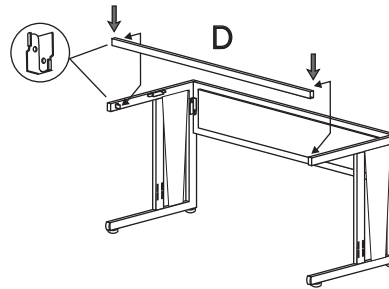


- Ⓐ SIDE FRAME (RIGHT)..... (1 PC )
- Ⓑ SIDE FRAME (LEFT)..... (1 PC )
- Ⓒ MODESTY PANEL..... (1 PC )
- Ⓓ SUPPORT BEAM..... (1 PC )
- Ⓔ TOP SHELF..... (1 PC )
- Ⓕ SAFETY KNOB..... (1 PC )
- Ⓐ MARCO LATERAL DERECHO... (1 PZA)
- Ⓑ MARCO LATERAL IZQUIERDO.. (1 PZA)
- Ⓒ MARCO CENTRAL..... (1 PZA)
- Ⓓ BARRA DE SOPORTE..... (1 PZA)
- Ⓔ CUBIERTA SUPERIOR..... (1 PZA)
- Ⓕ REGATON DE SEGURIDAD..... (1 PZA)

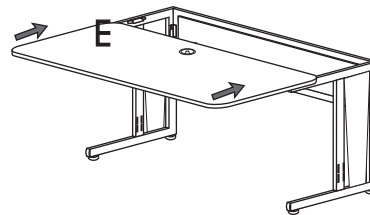
**1**



**2**



**3**



**4**

