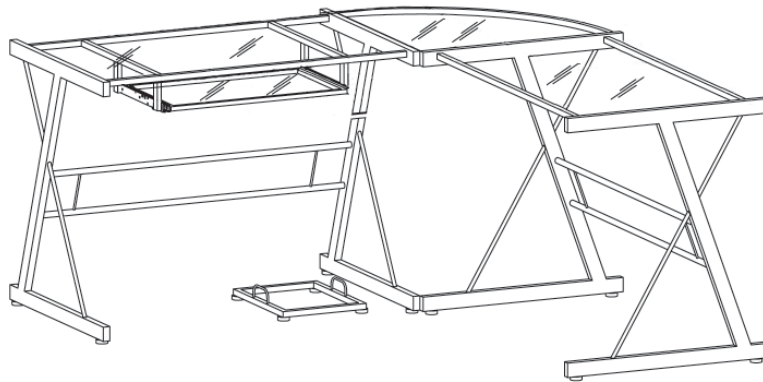


# Assembly Diagram

Model No. D51L29



## Component List

A		wrench	1	K		desk glass	2
B		small screws	8	L		middle glass	1
C		medium bolts	16	M		keyboard tray glass	1
D		large bolts	4	N		desk leg	4
E		rubber suction cups	16	O		cross bar	2
F		CPU feet	4	P		cross bar for frame keyboard side	2
G		desk feet	8	Q		cross bar for frame non keyboard side	2
H*		keyboard tray bracket	2	R		CPU stand	1
I*		keyboard tray arm	2	S		middle frame	1
J		keyboard tray support frame	L = 1, R = 1	T		keyboard tray frame	1

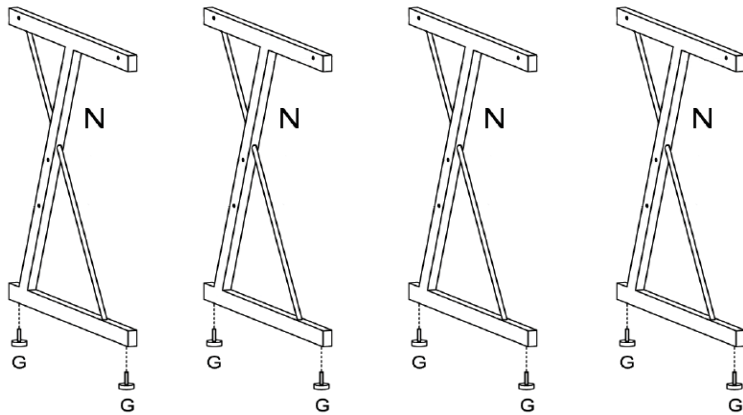
\*Note: These parts come preassembled for shipping purposes and must be disassembled for assembly

### Important

For our most up to date assembly instructions or to request missing, lost, or broken parts, or for any other customer service issue, please visit our website at [www.walkerredison.com](http://www.walkerredison.com) or call us toll free at 877-207-5906.

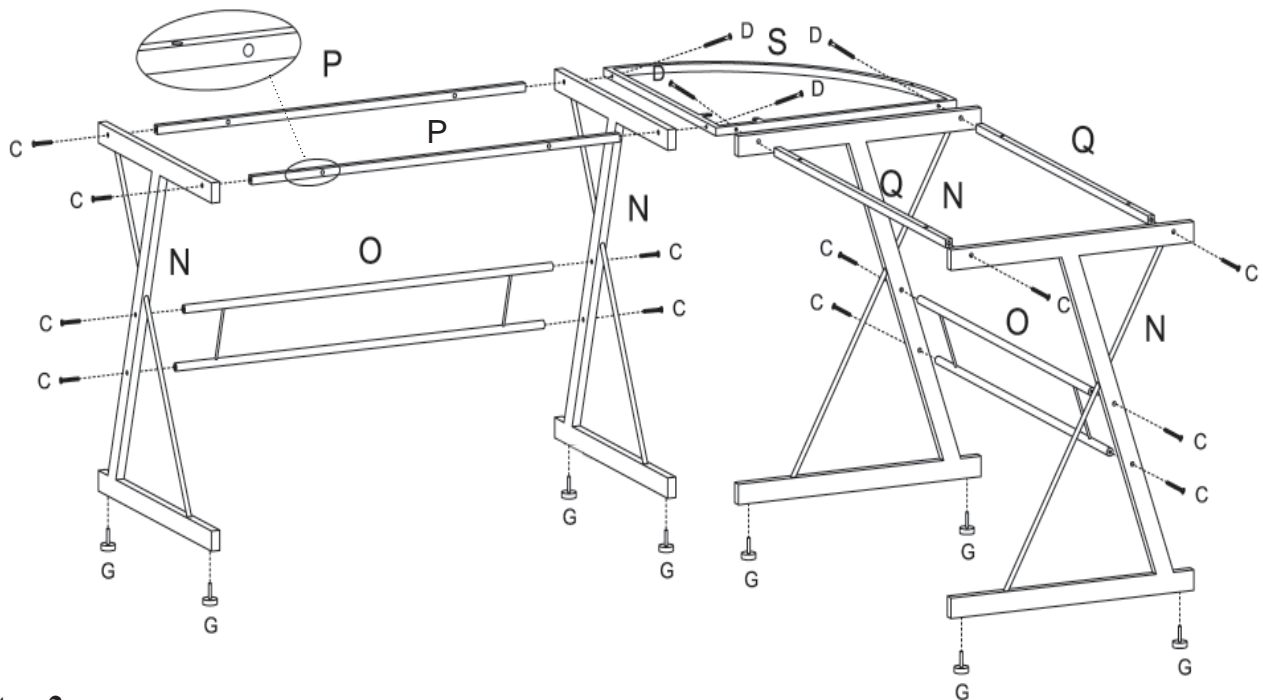
# Assembly Diagram

Model No. D51L29



## Step 1

Screw desk feet (G) into the bottom of desk legs (N).



## Step 2

For the left side of the desk, take leg (N) and screw in the medium bolts (C) into and through the leg (N) and into the left upper cross bar (P). Now take the cross bar (O) and screw it into legs (N) using medium bolts (C).

## Step 3

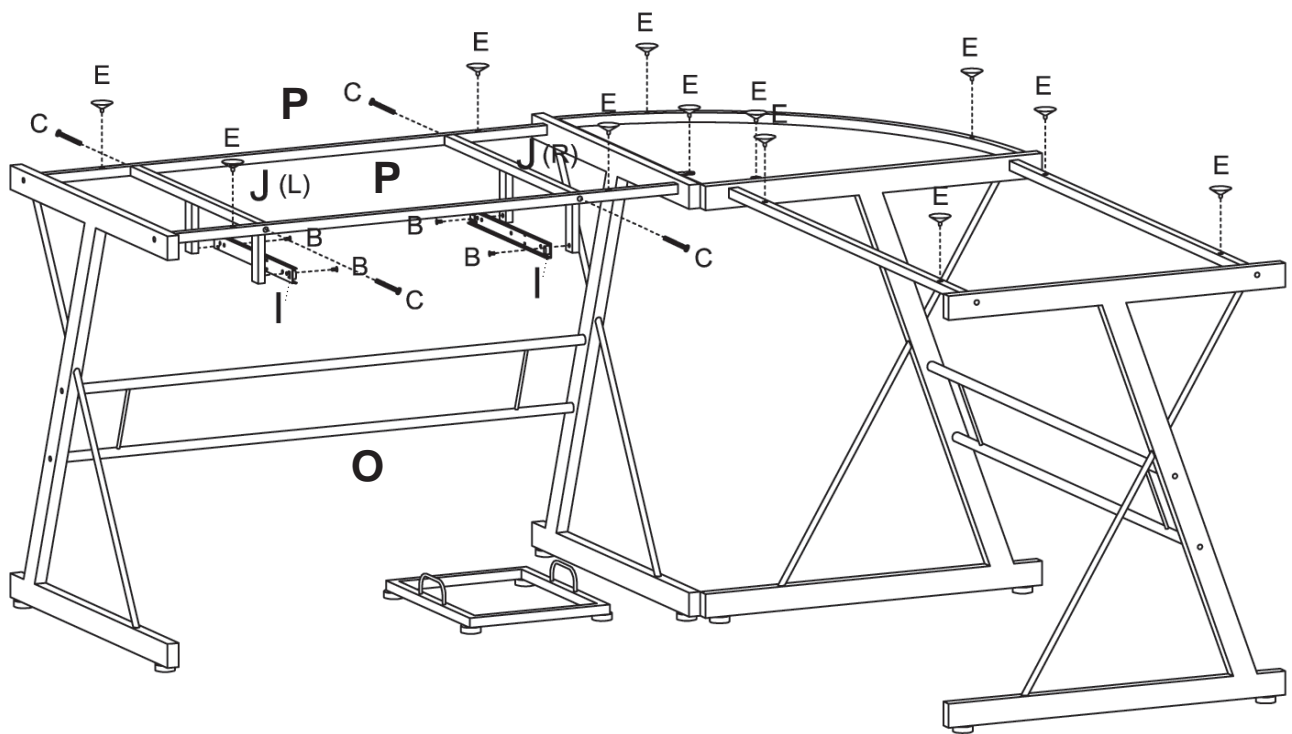
Attach middle frame (S) to left side of the desk at leg (N) using large bolts (D).

## Step 4

For the right side of the desk, attach middle frame (S) to leg (N) and upper right cross bars (Q) using large bolts (D). Attach final leg (N) to right upper cross bars (Q) using medium bolts (C). Now attach legs (N) to cross bar (O) using medium bolts (C).

# Assembly Diagram

Model No. D51L29

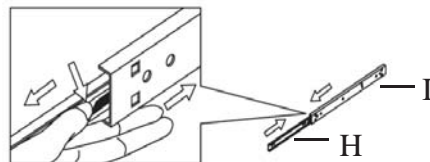


## Step 5

Screw in keyboard support tray frame (J) between left upper cross bars (P) using medium bolts (C).

## Step 6

Disassemble the keyboard tray brackets (H) and the keyboard tray arm (I) by pressing down the small lever and pulling up.

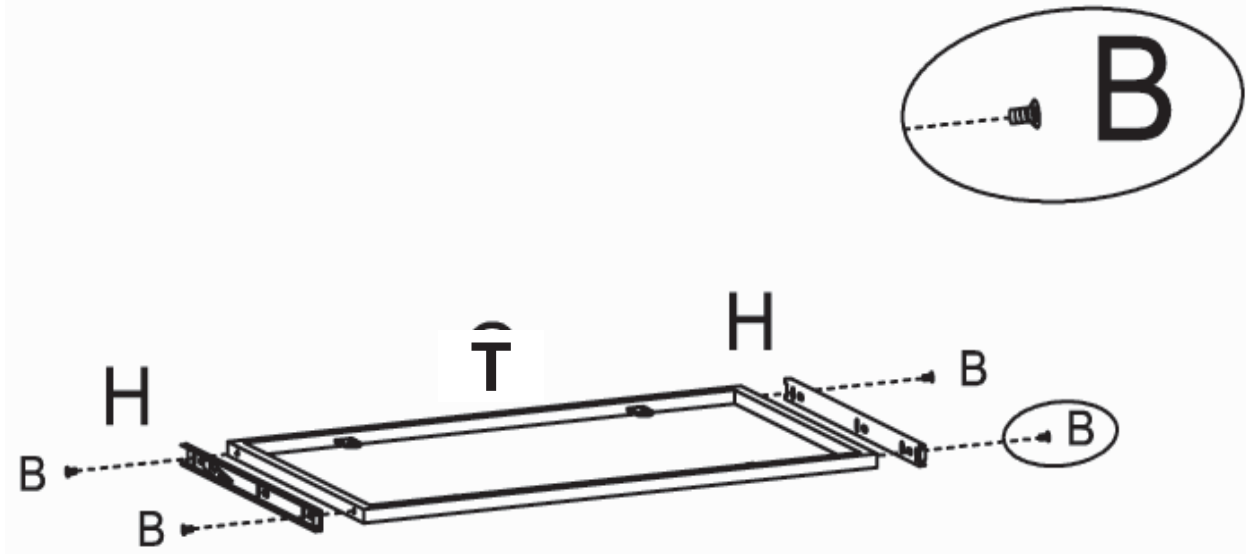


## Step 7

Secure rubber suction cups (E) to the table by placing the small ends into the holes on the top of the desk frame.

# Assembly Diagram

Model No. D51L29

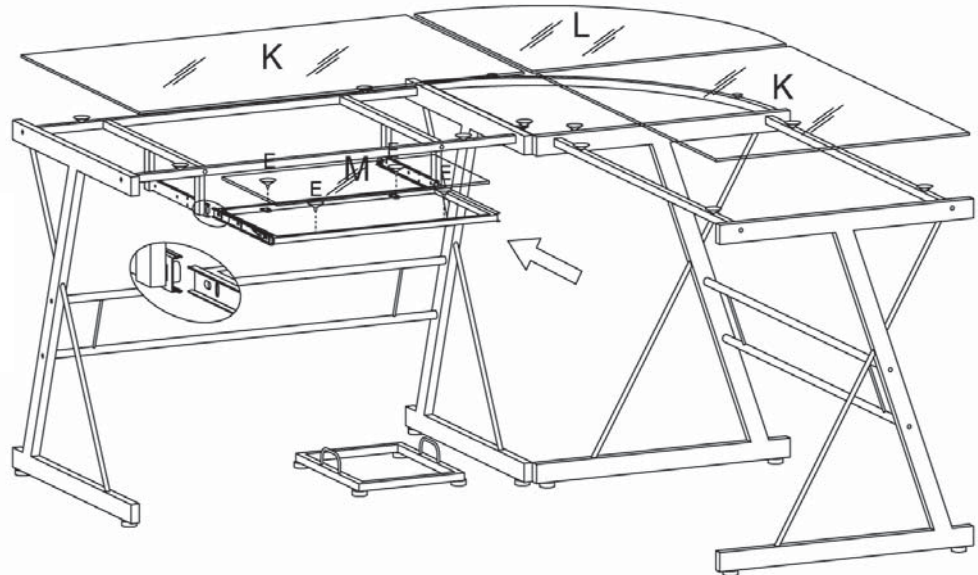
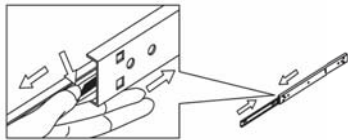


## Step 8

To construct the keyboard tray you need to take the keyboard tray brackets (H) and secure them to the keyboard frame (T) using small screws (B) as shown in the illustration.

*\*Note: Ensure the open end of keyboard tray arm (I) faces front side of desk.*

*Push down on small lever to allow keyboard bracket to slide along keyboard arm.*

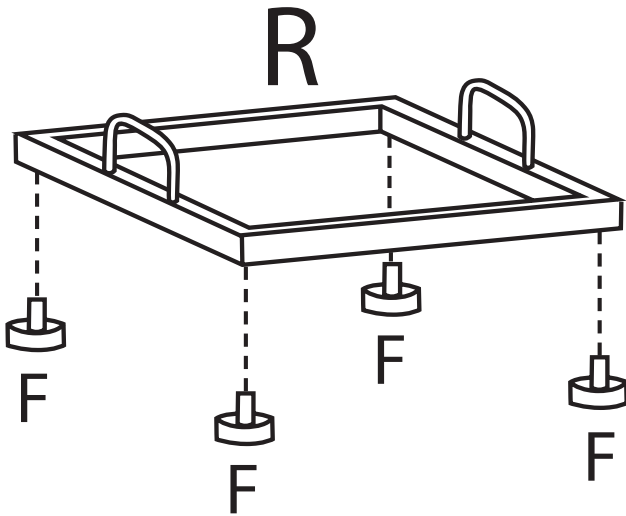


## Step 9

Place rubber suction cups (E) on keyboard tray frame (Q) and place keyboard tray glass (M) on top of the rubber suction cups. Now take the keyboard tray and slide it into the keyboard tray arm (I). Find desk glass (K) and (L). Place the glass on top of the desk frame according to the above illustration.

# Assembly Diagram

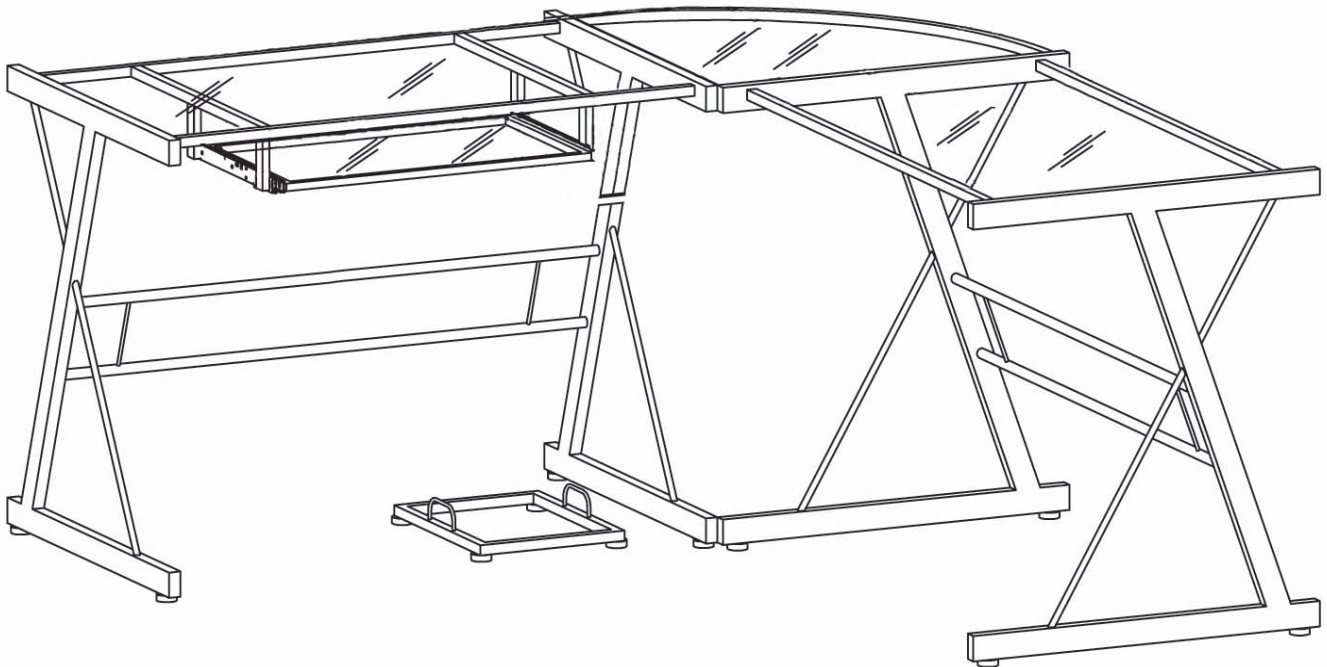
Model No. D51L29



## Step 10

Find the CPU stand (R) and screw in the CPU feet (F) into the under side of the frame.

## Final Assembly



For our most up to date assembly instructions or to request missing, lost, or broken parts, or for any other customer service issue, please visit our website at [www.walkerredison.com](http://www.walkerredison.com) or call us toll free at 877-207-5906.