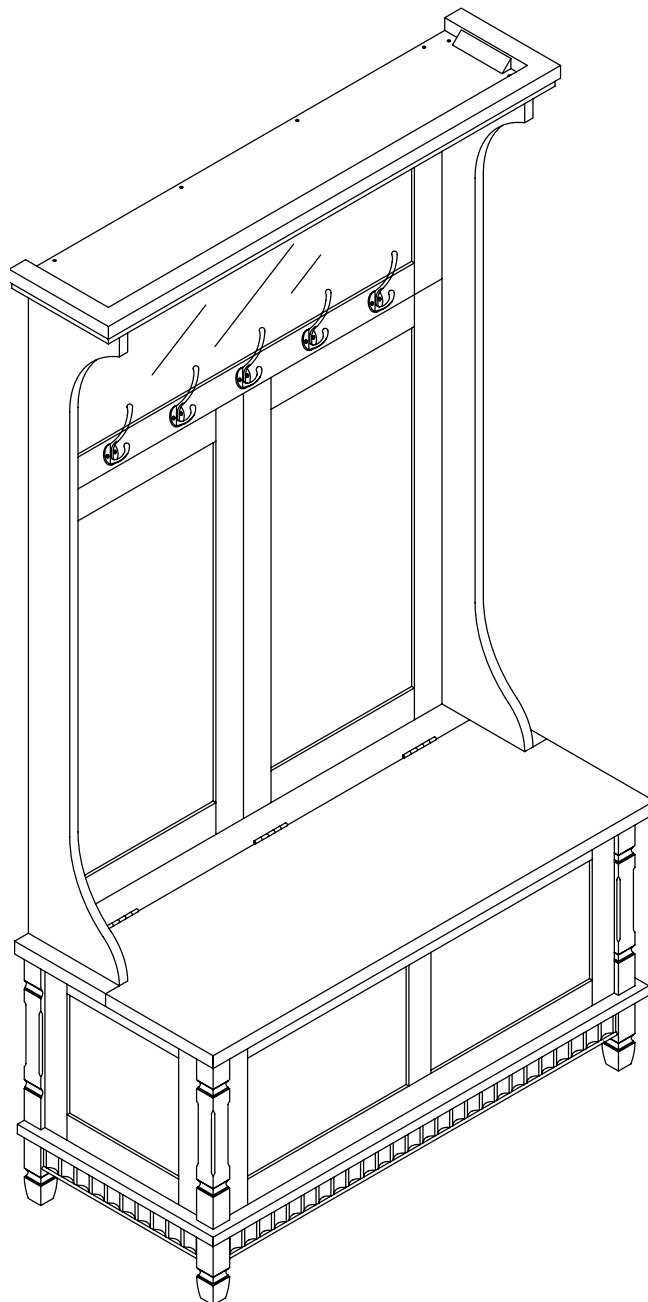


Thank you for purchasing this quality product. Be sure to check all packing material carefully for small parts which may have come loose inside the carton during shipment. Separate, identify, and count all parts and metal hardware. Compare with parts list and hardware illustrations to be sure all parts are present. If any part(s) are missing or damaged, phone, fax, or mail to our Customer Service Department. For efficient and speedy service, please indicate the model number and code letter of part(s) needed.

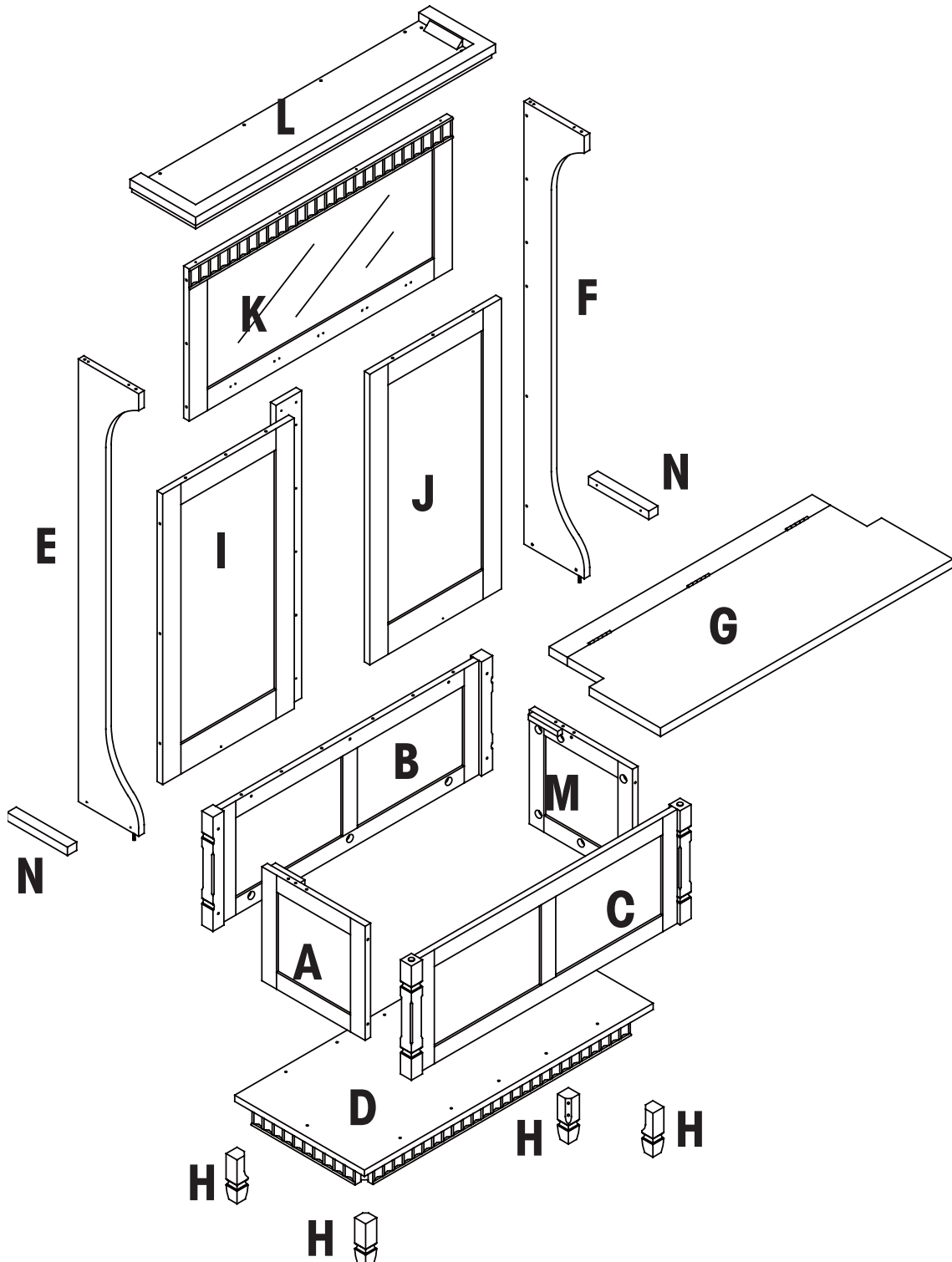
ATTENTION: SOME LETTERED PARTS LISTED ON THE INSTRUCTION SHEET MAY NOT BE IN PARTS BAG AS THEY MAY ALREADY BE ASSEMBLED. CAREFULLY CHECK PARTS AND PACKING MATERIALS PRIOR TO ORDERING REPLACEMENTS.

Tools Required for assembly: Phillips Screwdriver (not included); Wrench (included).

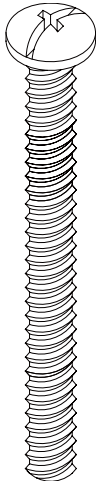


PARTS

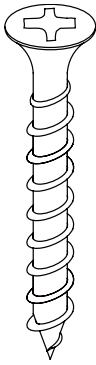
- (A) LEFT BASE END PANEL
- (B) BASE BACK PANEL
- (C) BASE FRONT PANEL
- (D) BOTTOM
- (E) LEFT SIDE PANEL
- (F) RIGHT SIDE PANEL
- (G) LARGE LID
- (H) FEET (4)
- (I) LEFT BACK PANEL WITH CENTER PANEL
- (J) RIGHT BACK PANEL
- (K) TOP BACK PANEL
- (L) TOP PANEL
- (M) RIGHT BASE END PANEL
- (N) SUPPORT (2)



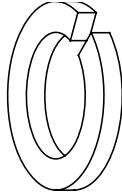
HARDWARE



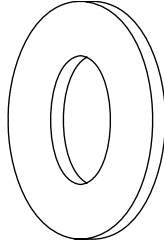
O
(11 PCS)



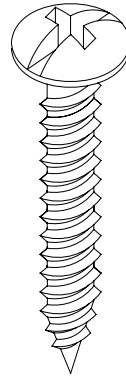
P
(14 PCS)



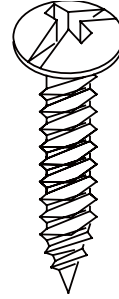
Q
(11 PCS)



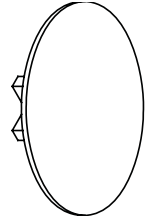
R
(11 PCS)



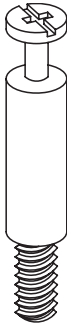
S
(7 PCS)



T
(2 PCS)



U
(4 PCS)



V
(32 PCS)



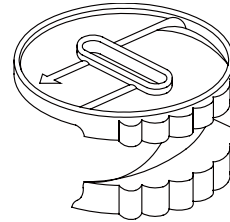
W
(16 PCS)



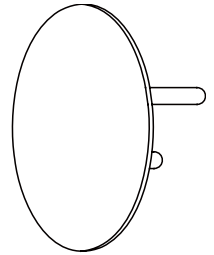
X
(4 PCS)



Y
(4 PCS)



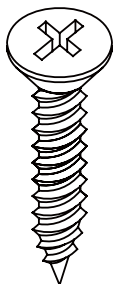
Z
(28 PCS)



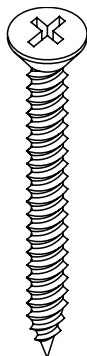
Aa
(28 PCS)



Bb
(10 PCS)



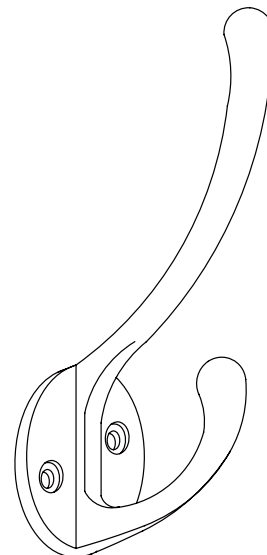
Cc
(6 PCS)



Dd
(2 PCS)

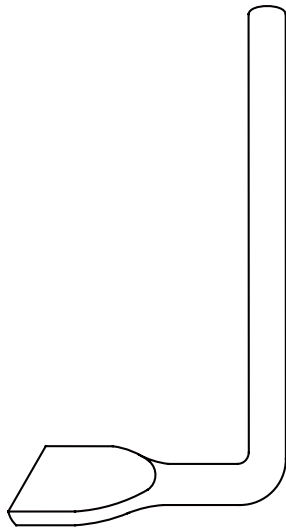


Ee
(2 PCS)

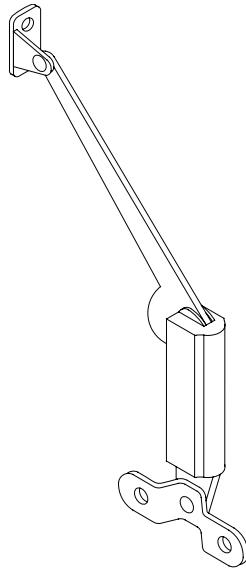


Ff
(5 PCS)

HARDWARE



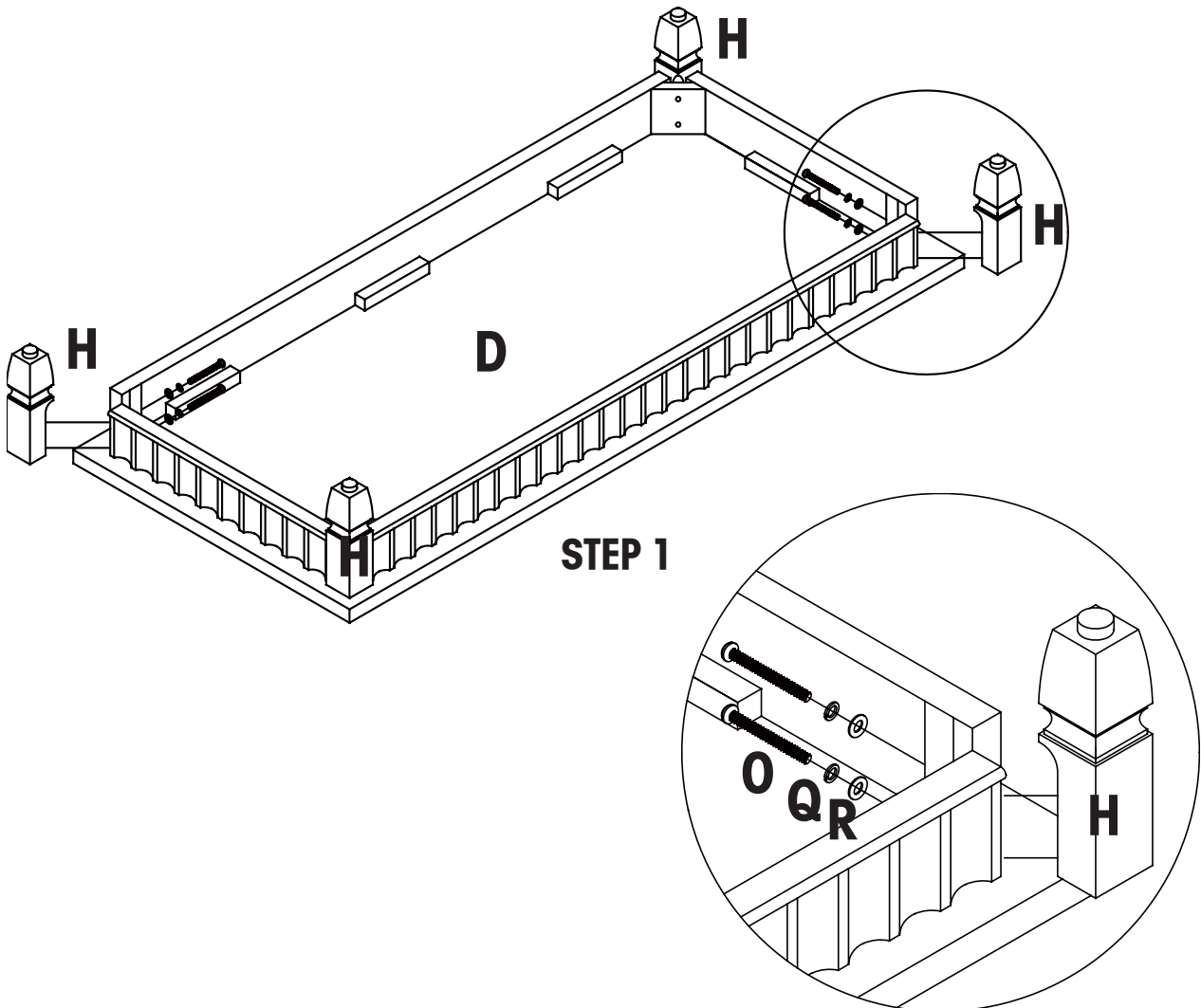
Gg
(1 PC)

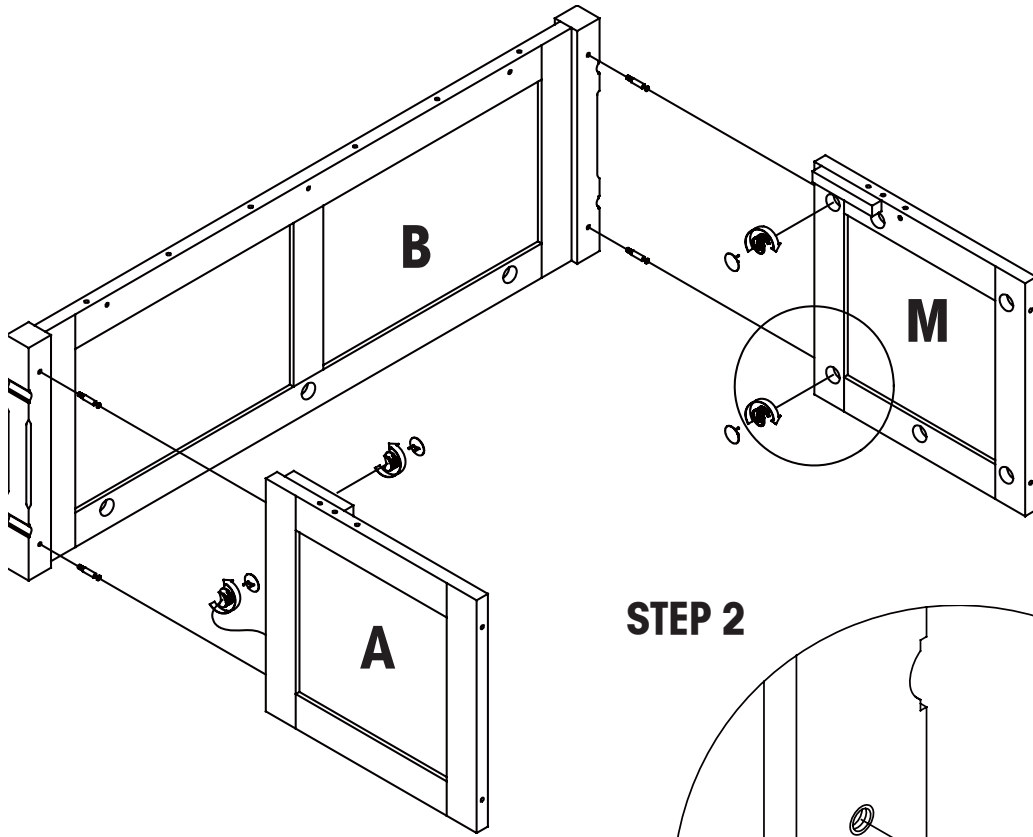


Hh
(1 PC)

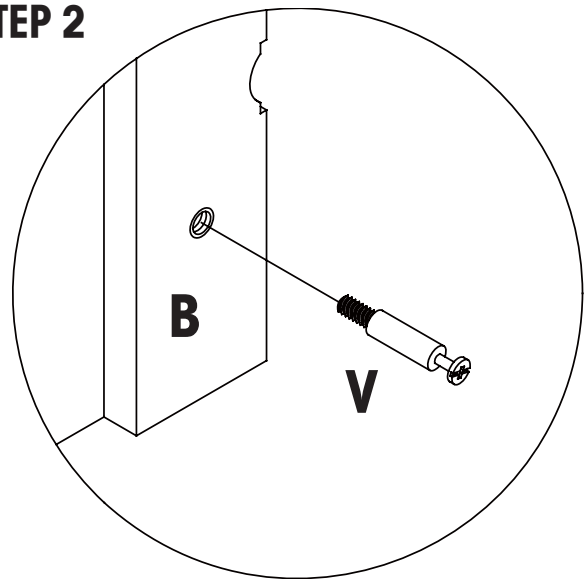


II
(2 PCS)

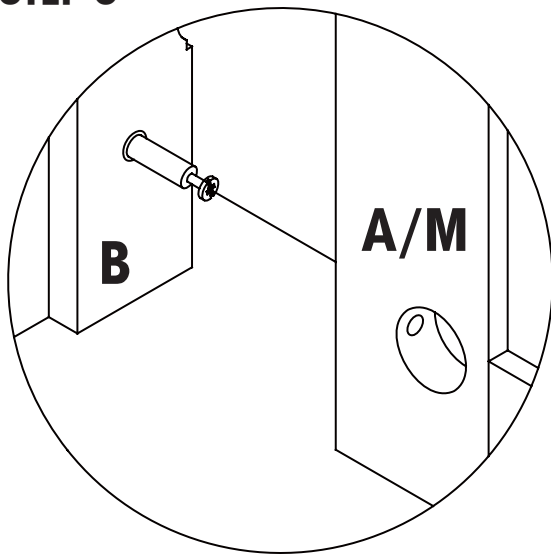




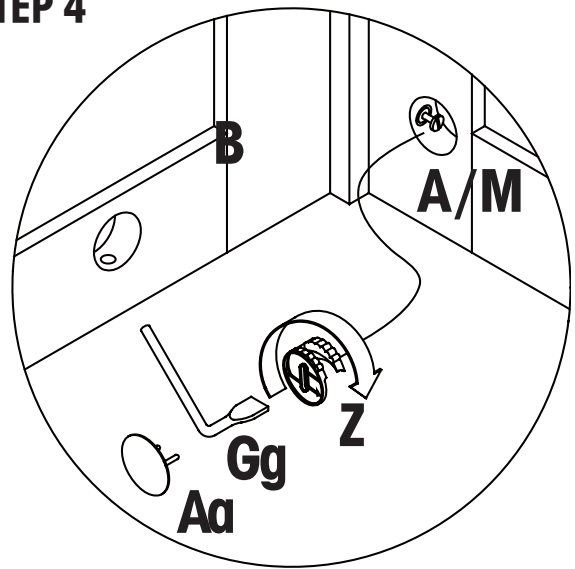
STEP 2

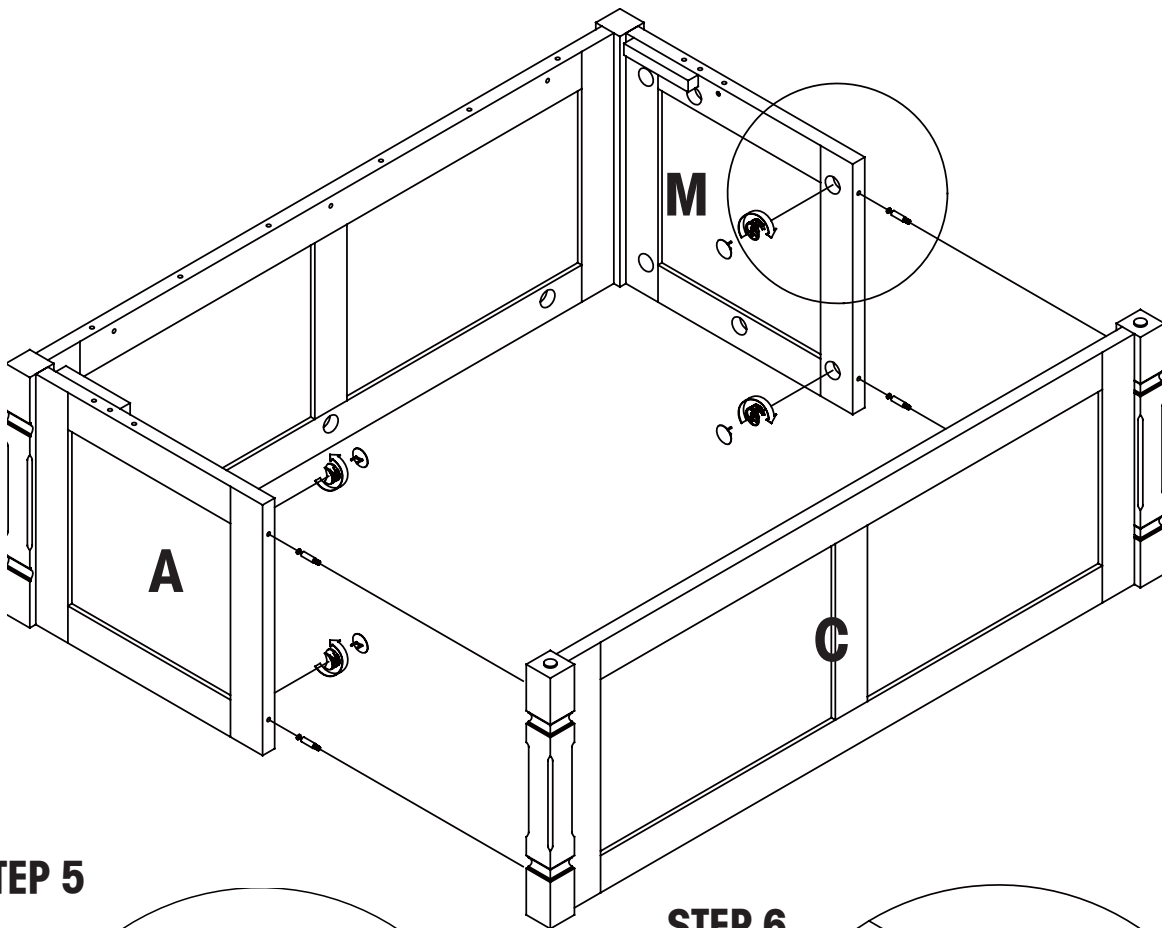


STEP 3

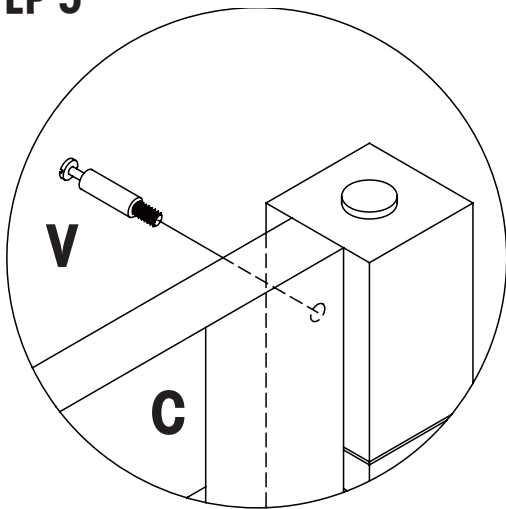


STEP 4

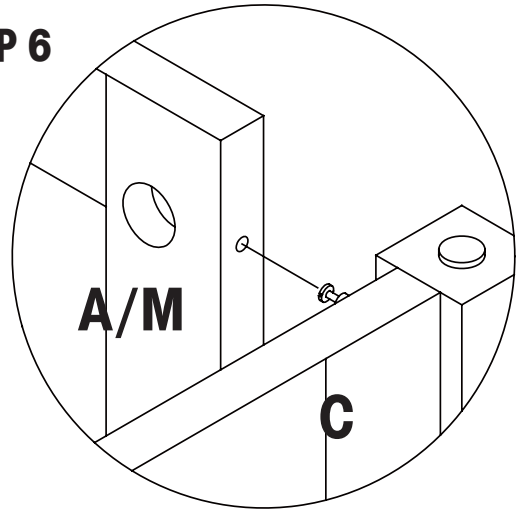




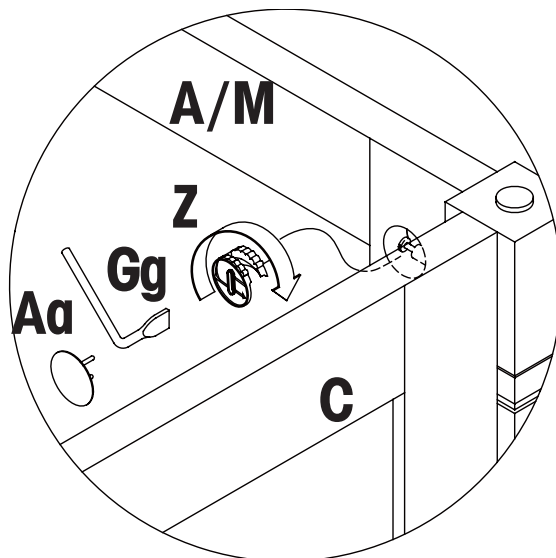
STEP 5



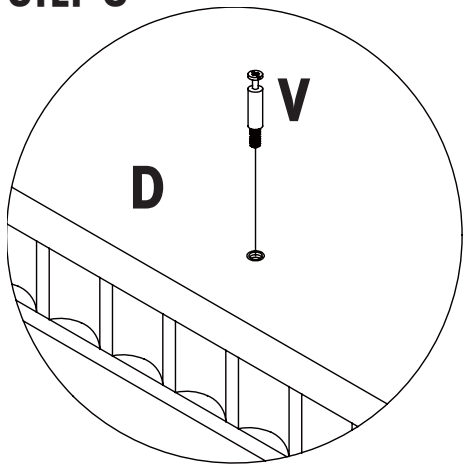
STEP 6



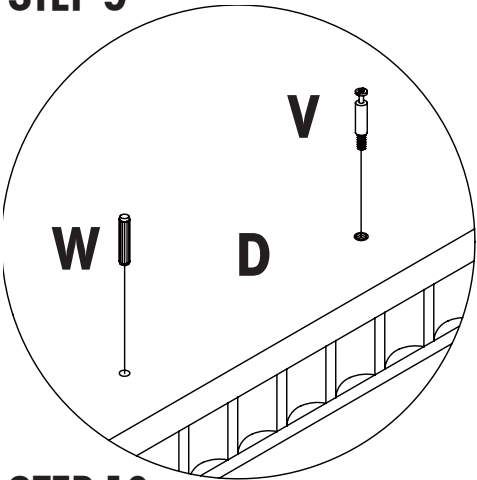
STEP 7



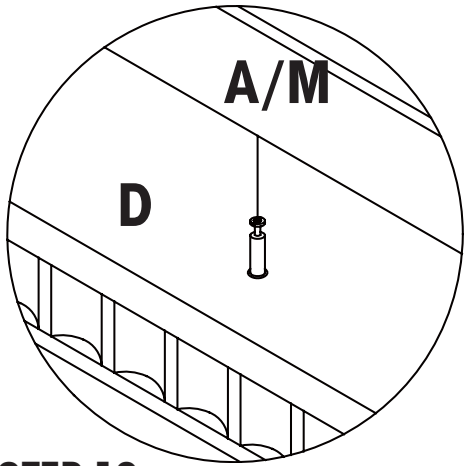
STEP 8



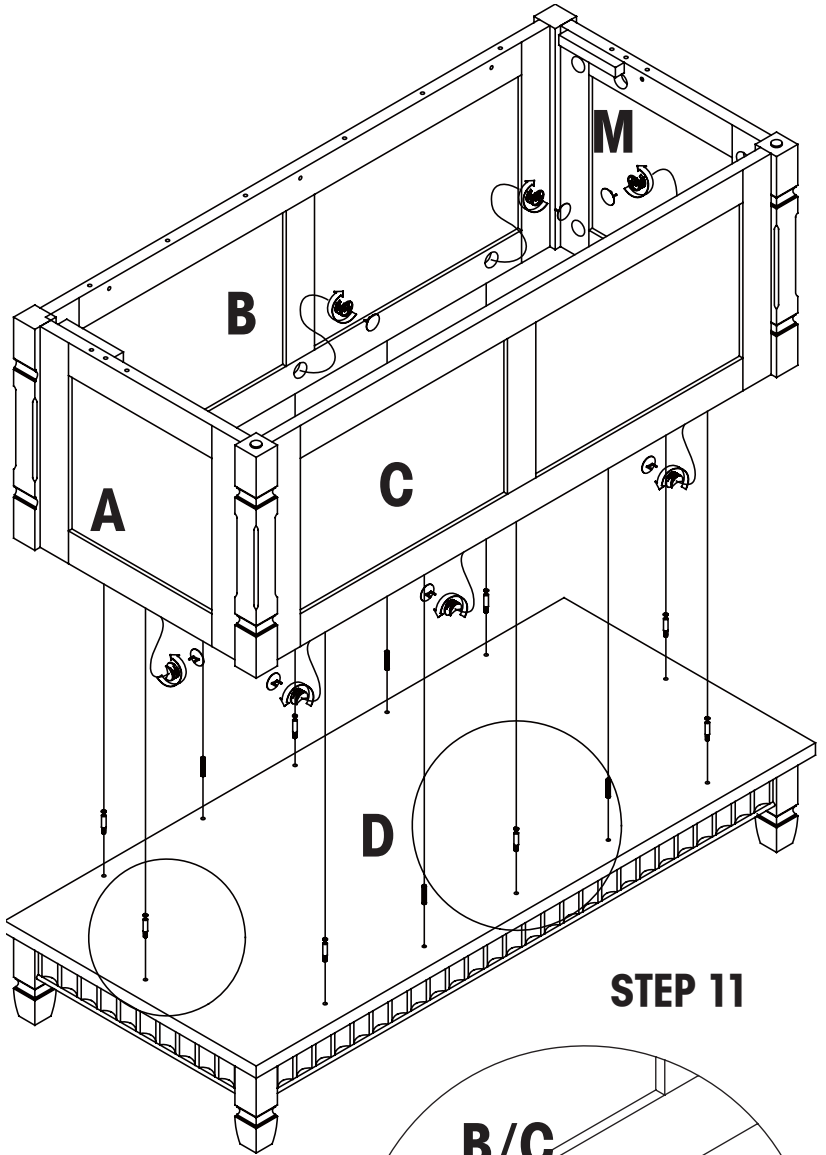
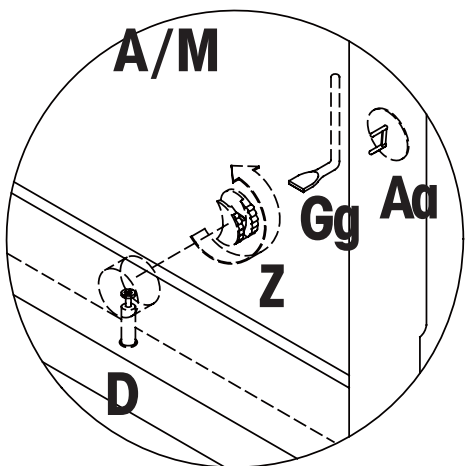
STEP 9



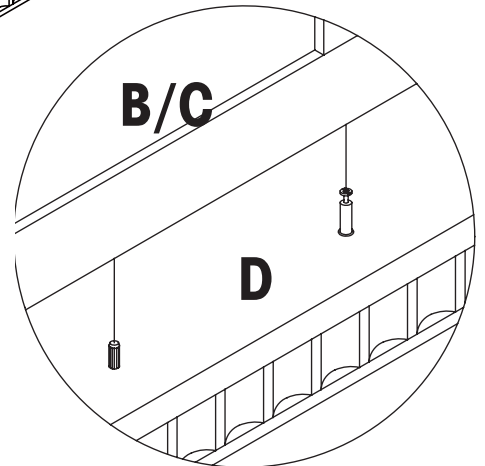
STEP 10



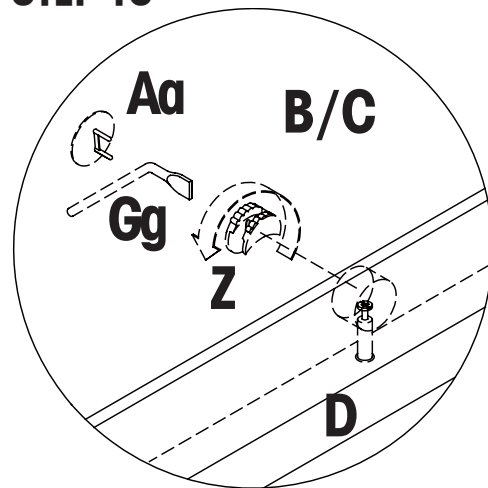
STEP 12



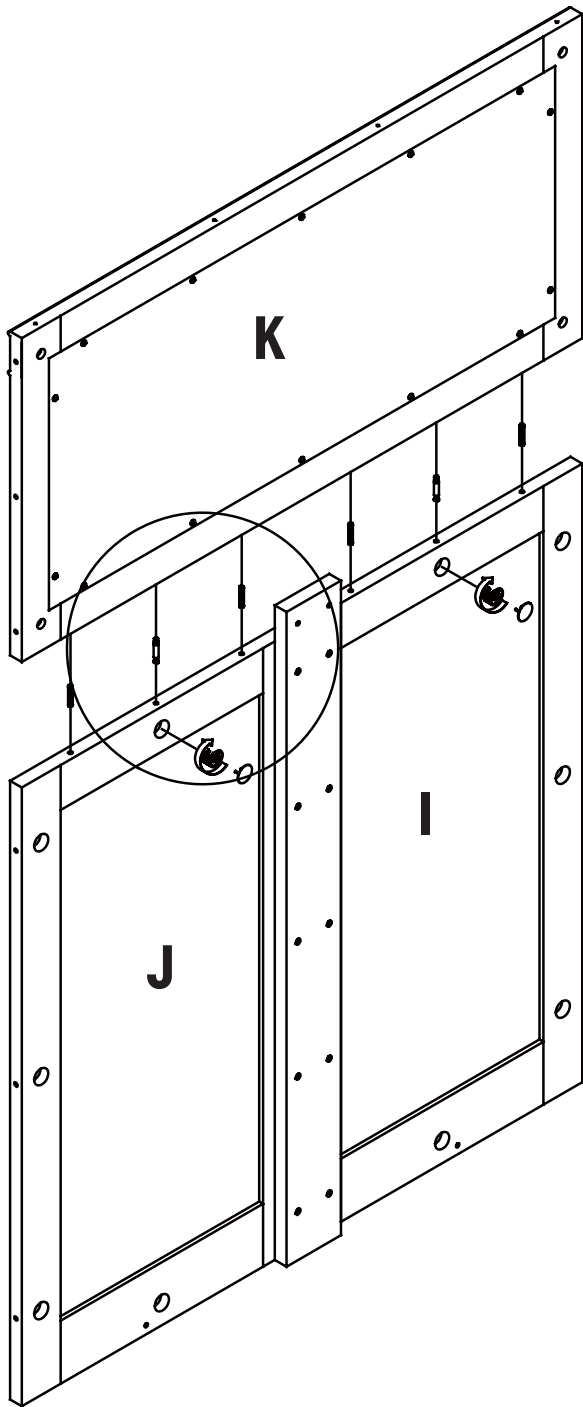
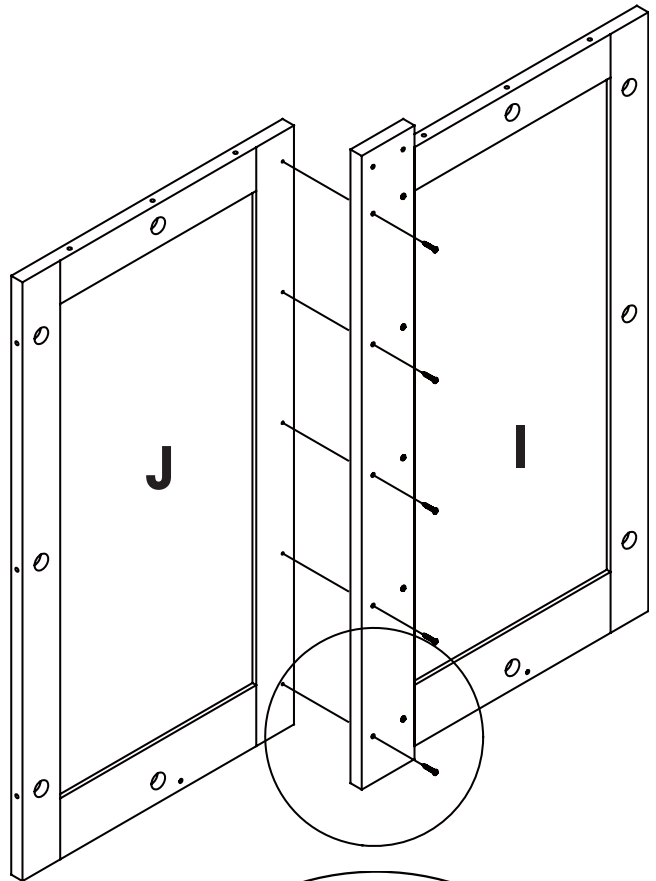
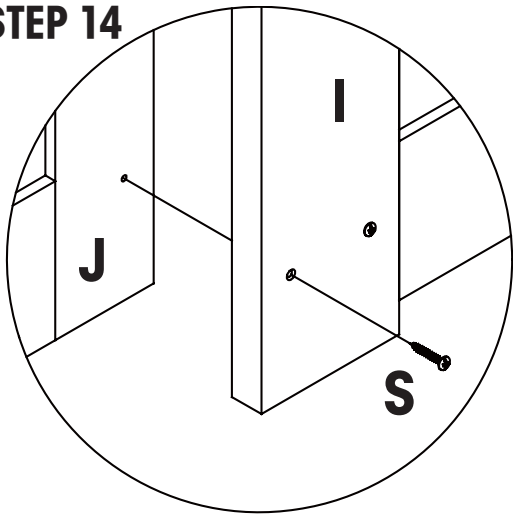
STEP 11



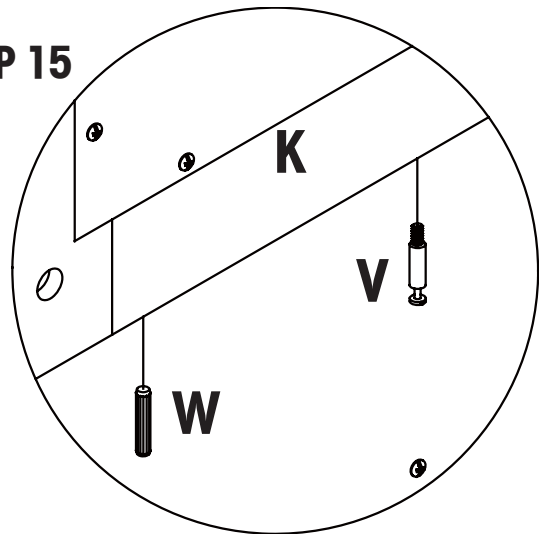
STEP 13



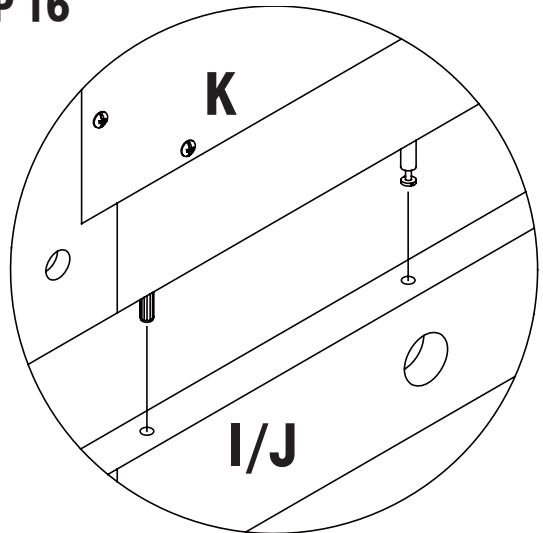
STEP 14



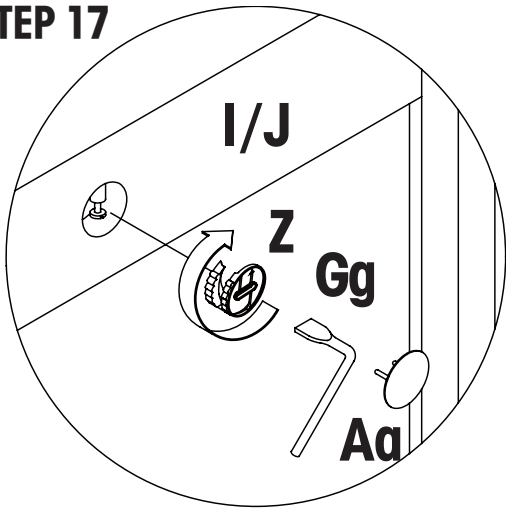
STEP 15



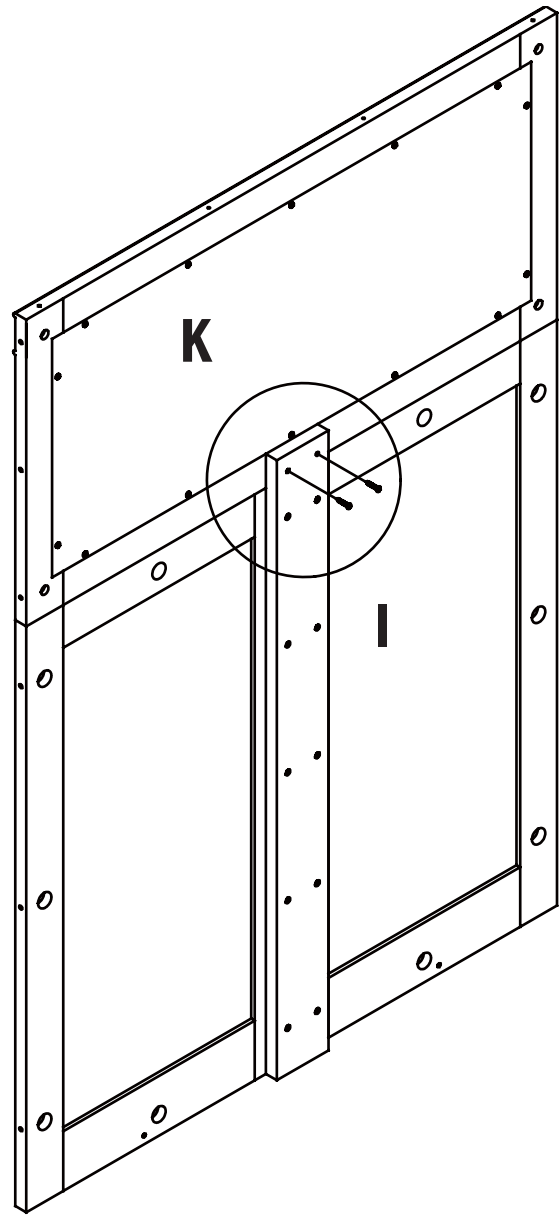
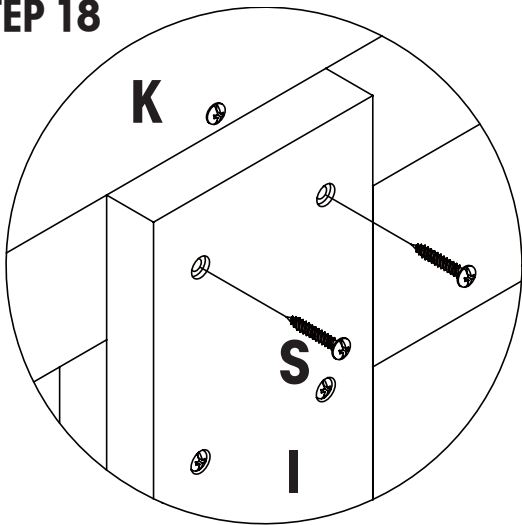
STEP 16



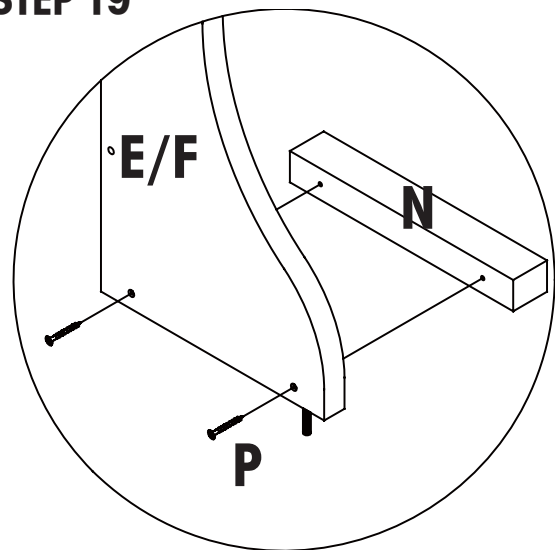
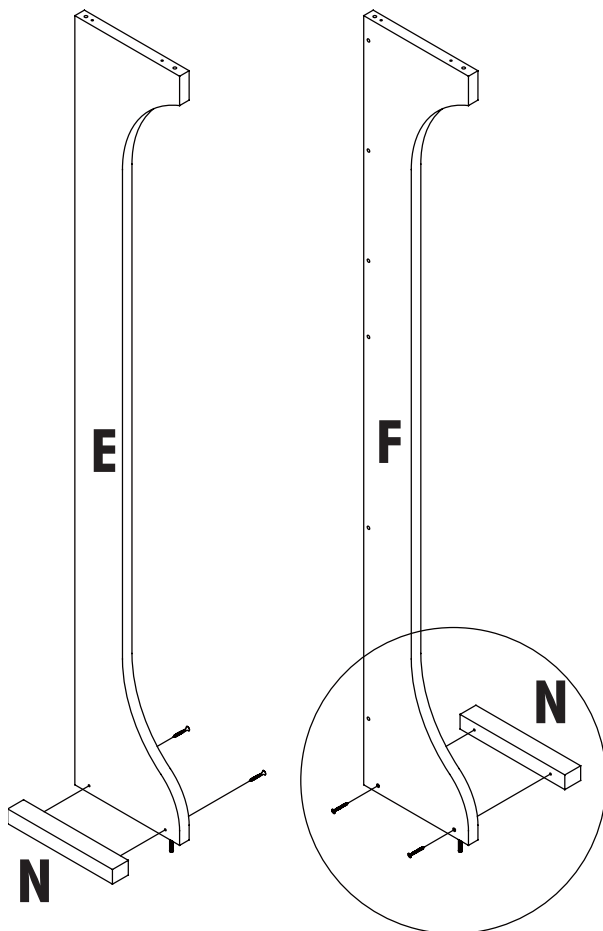
STEP 17



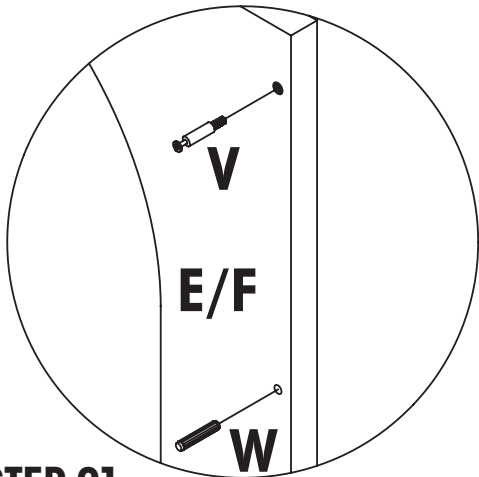
STEP 18



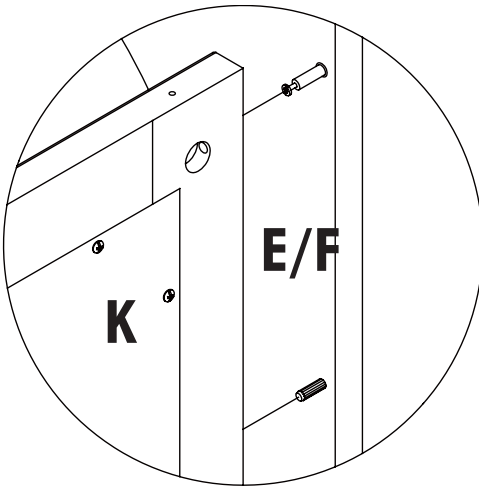
STEP 19



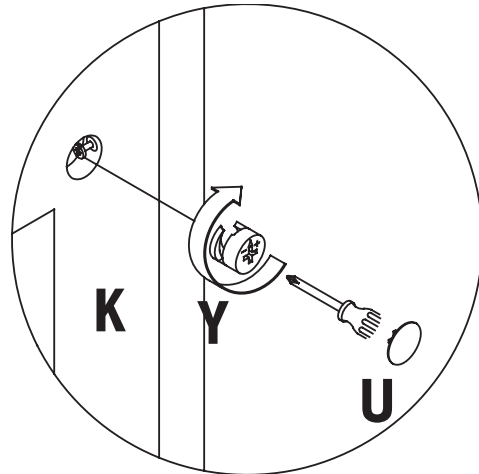
STEP 20



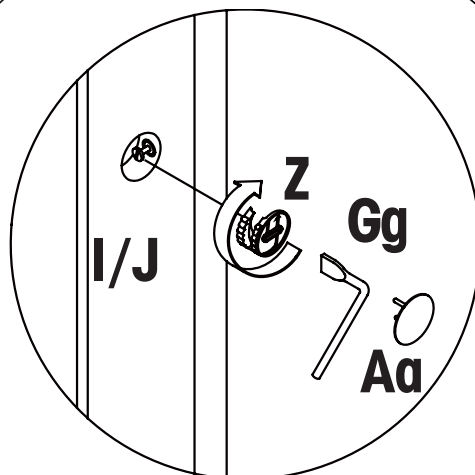
STEP 21



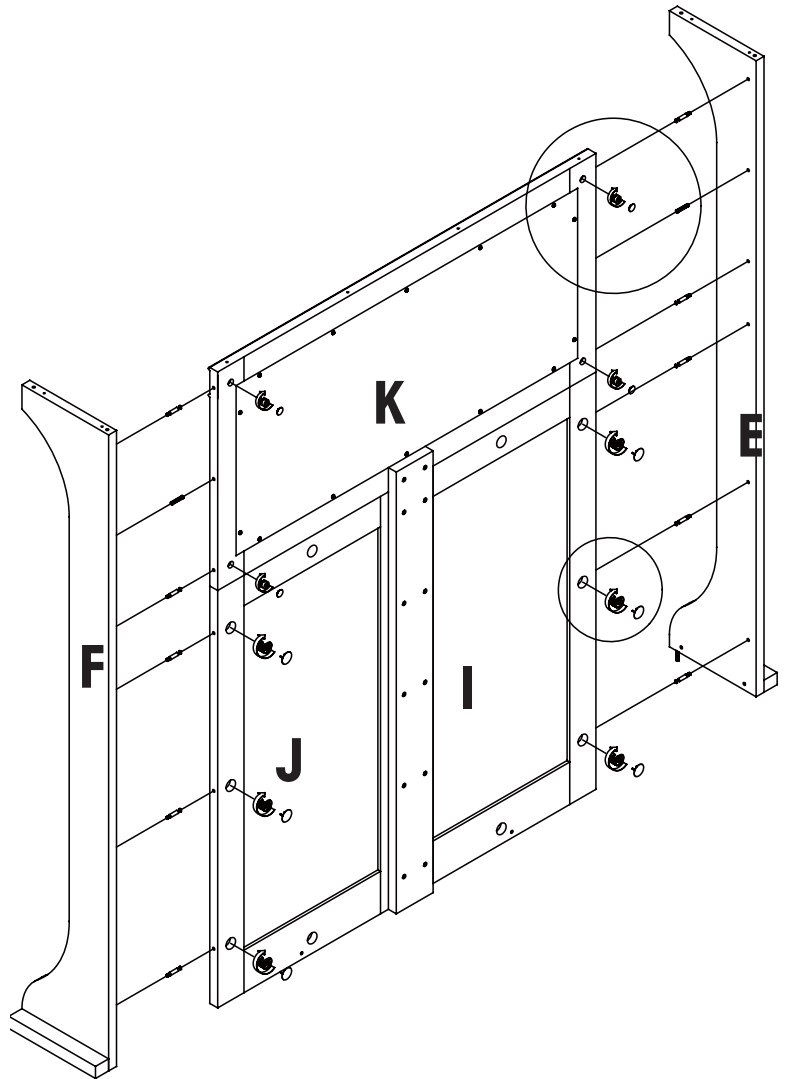
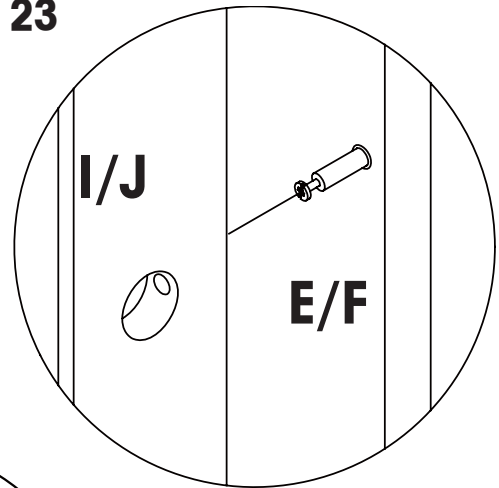
STEP 22

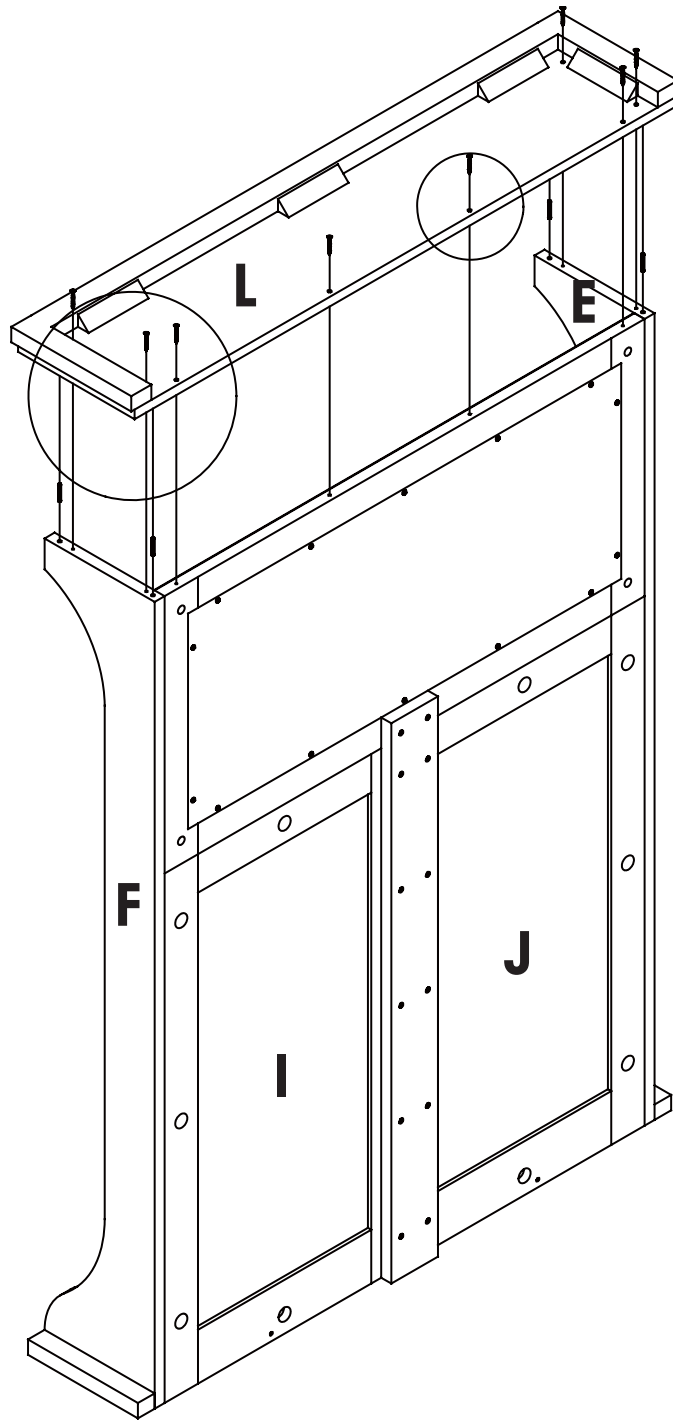


STEP 24

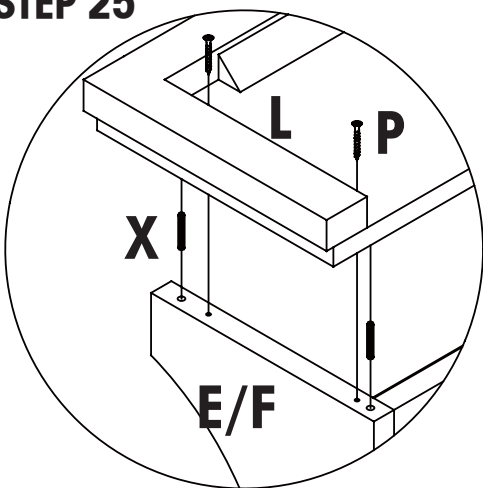


STEP 23

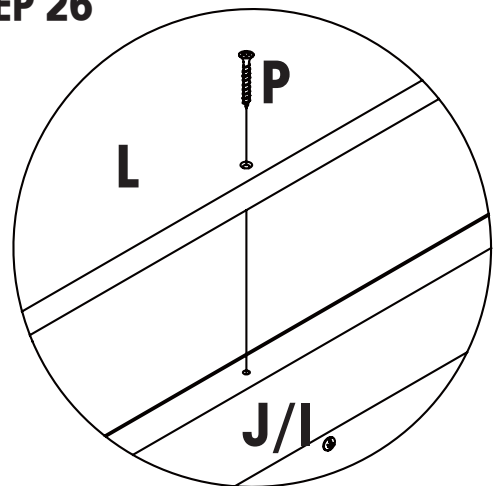




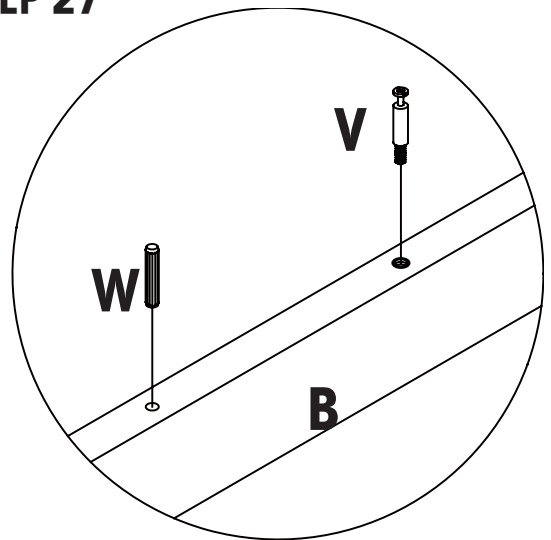
STEP 25



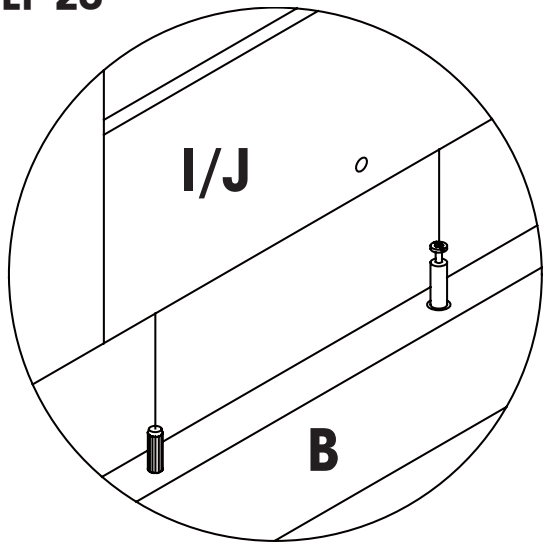
STEP 26



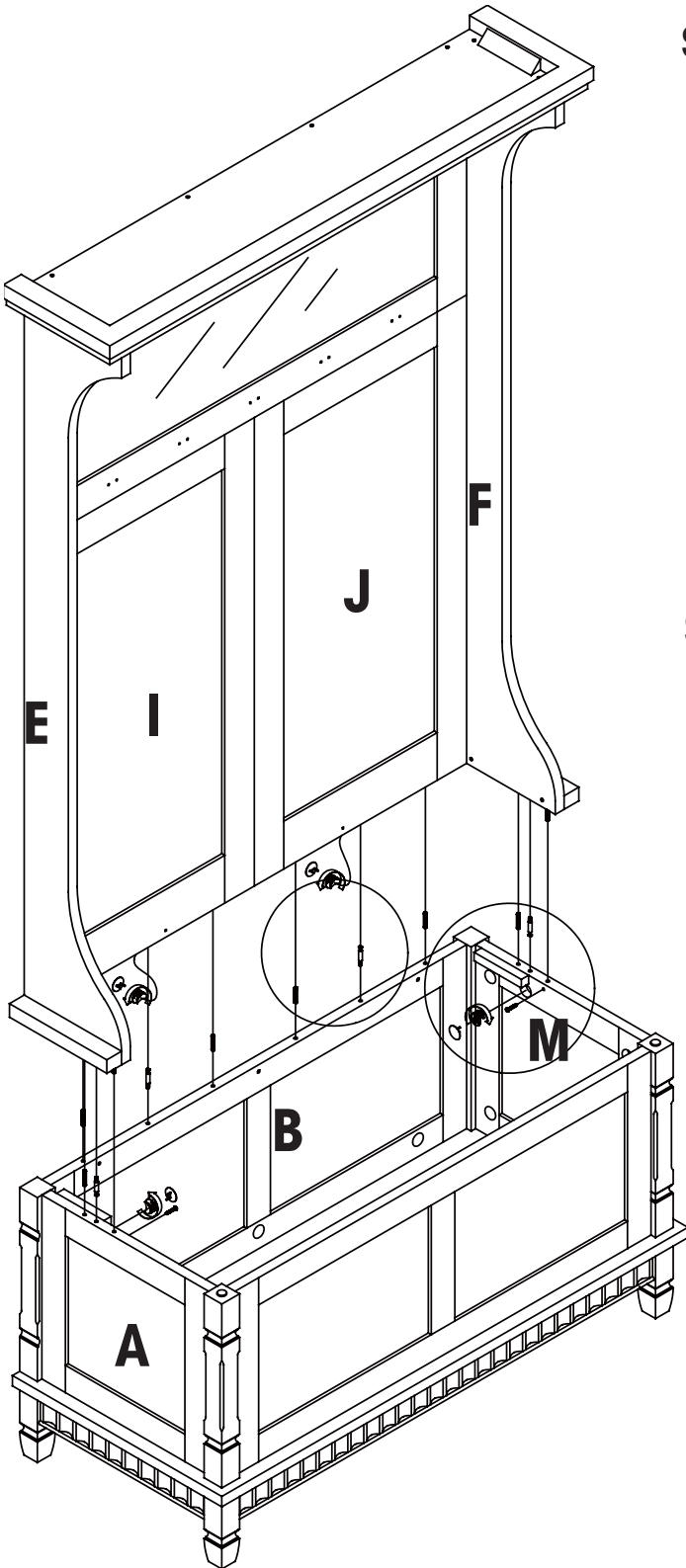
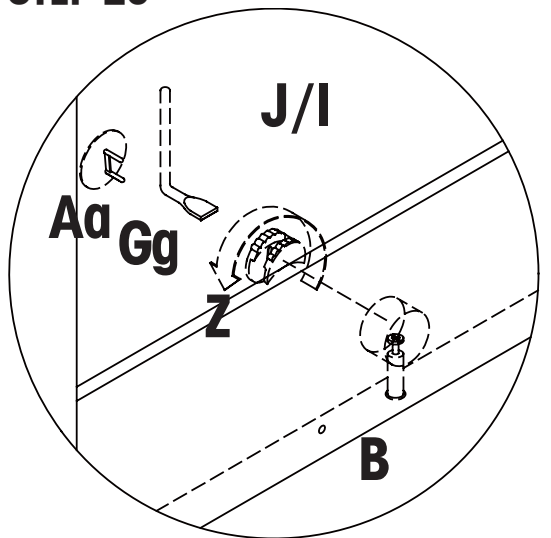
STEP 27



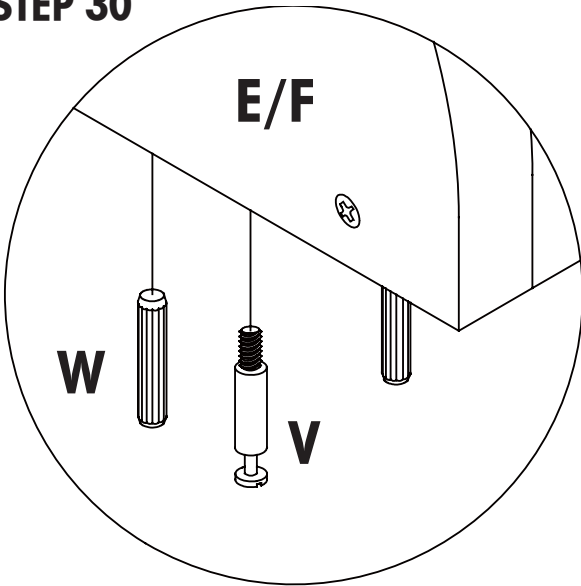
STEP 28



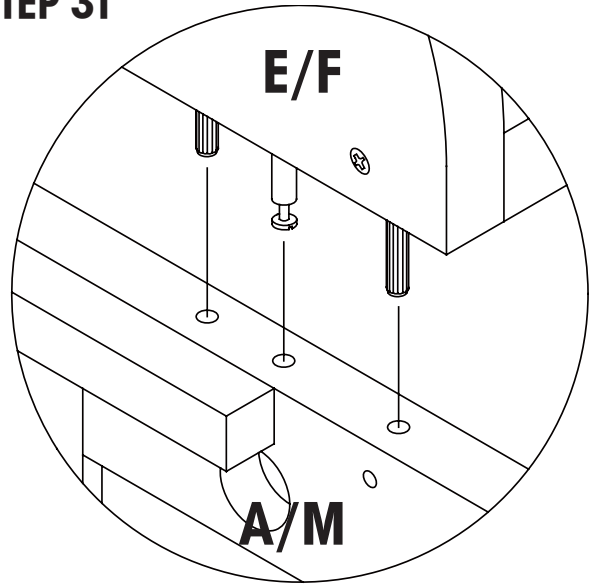
STEP 29



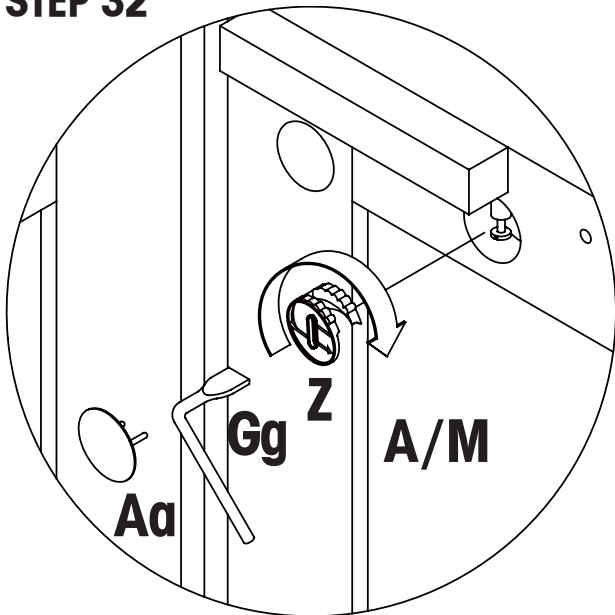
STEP 30



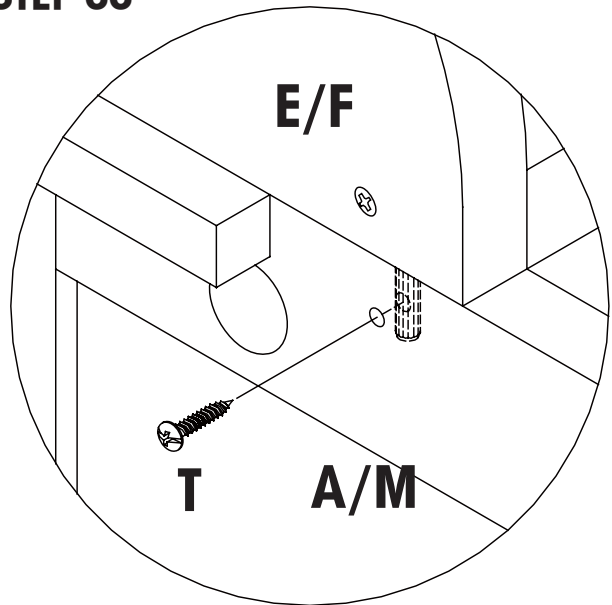
STEP 31



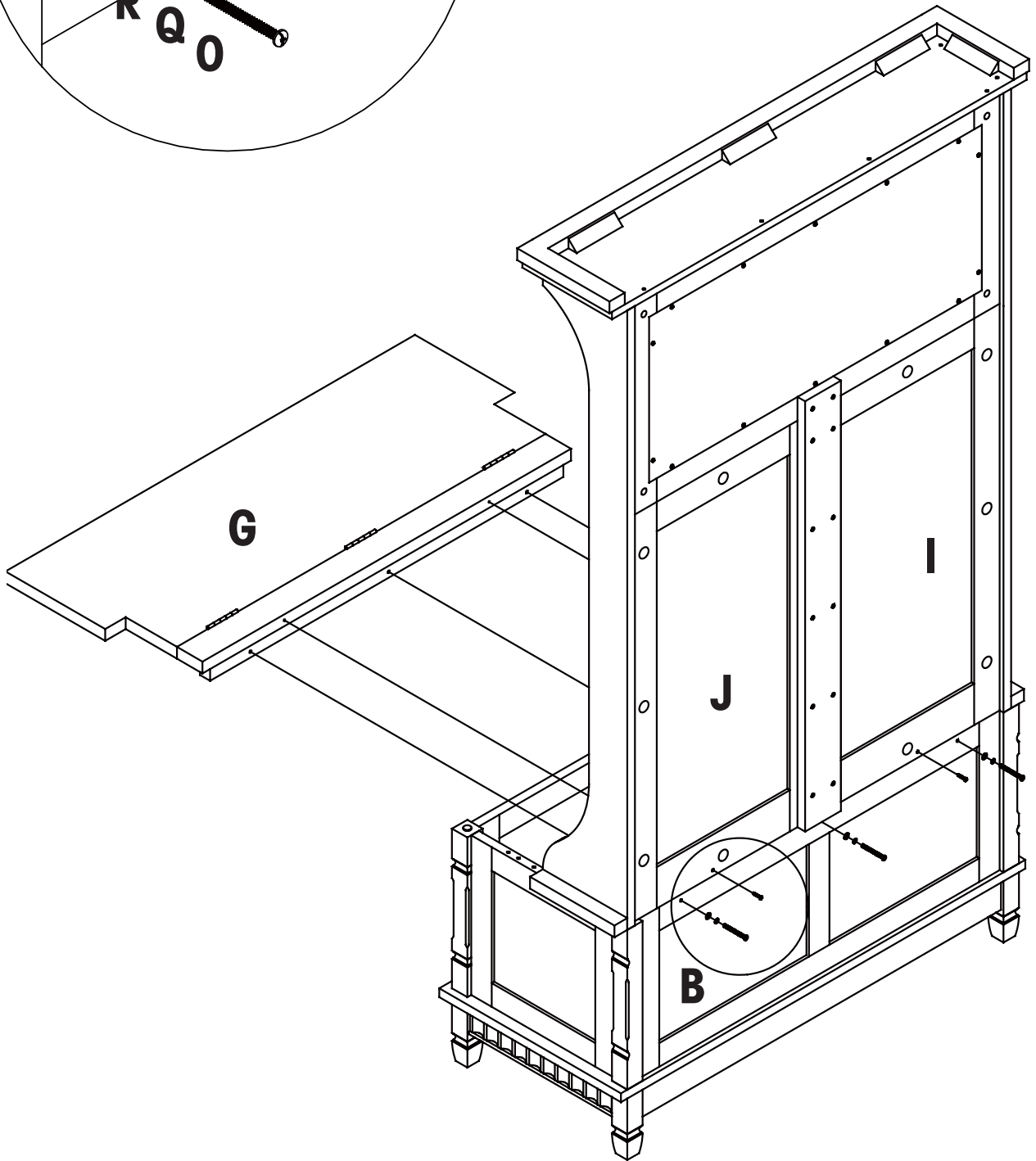
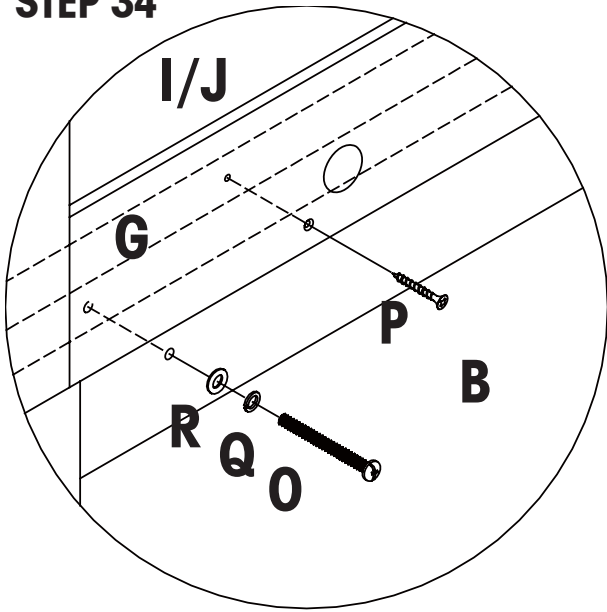
STEP 32



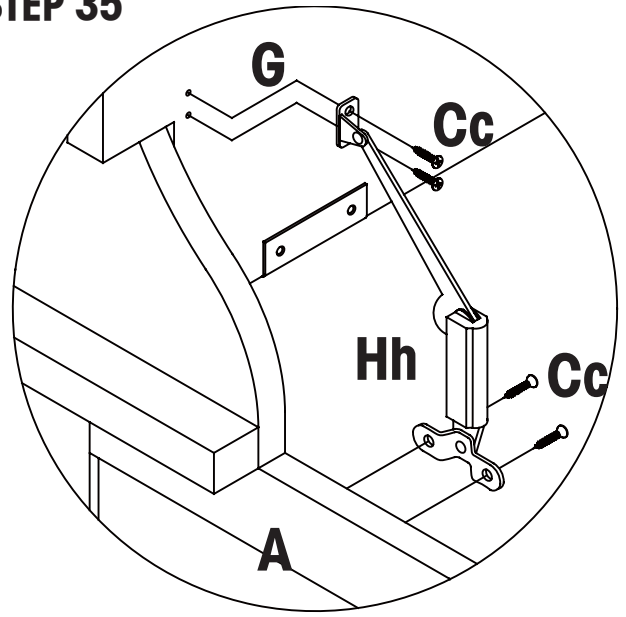
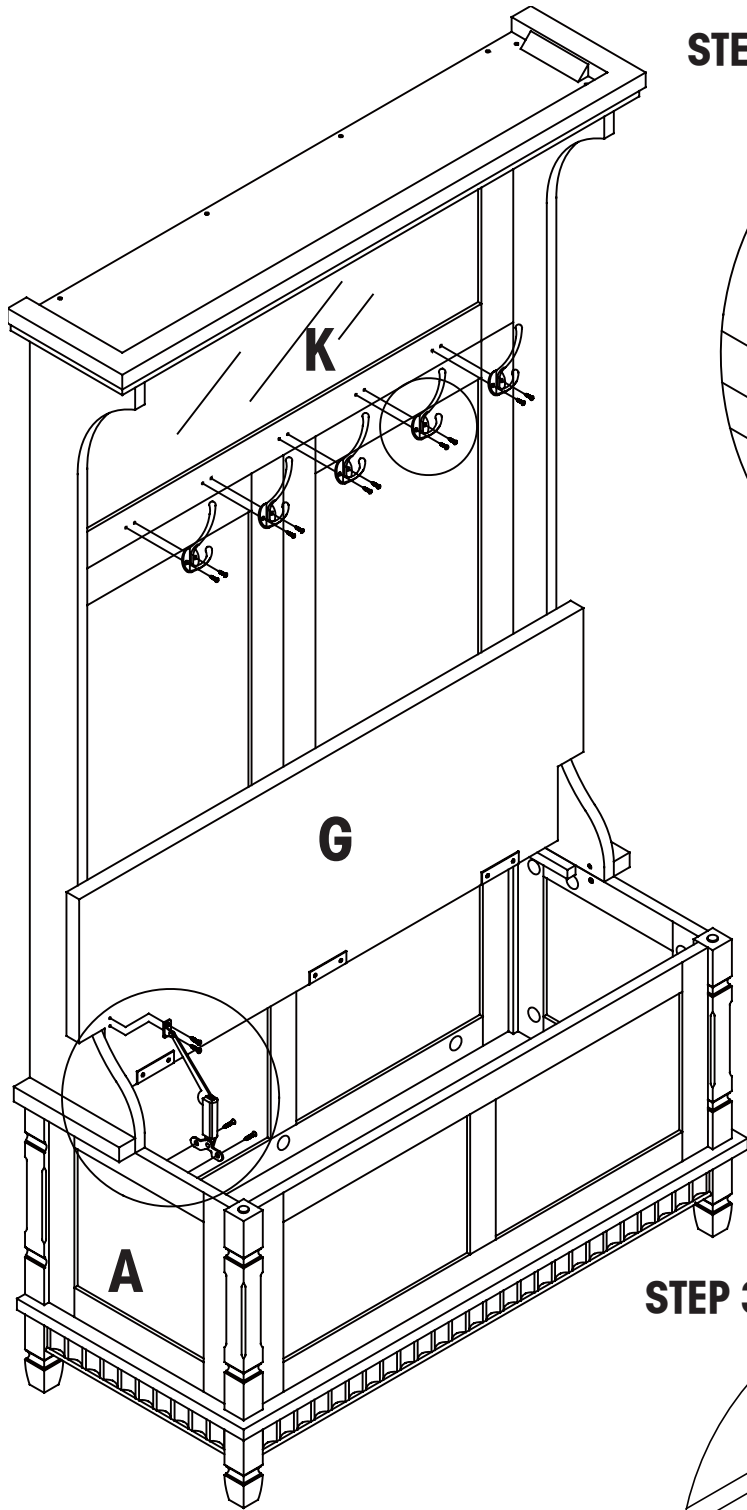
STEP 33



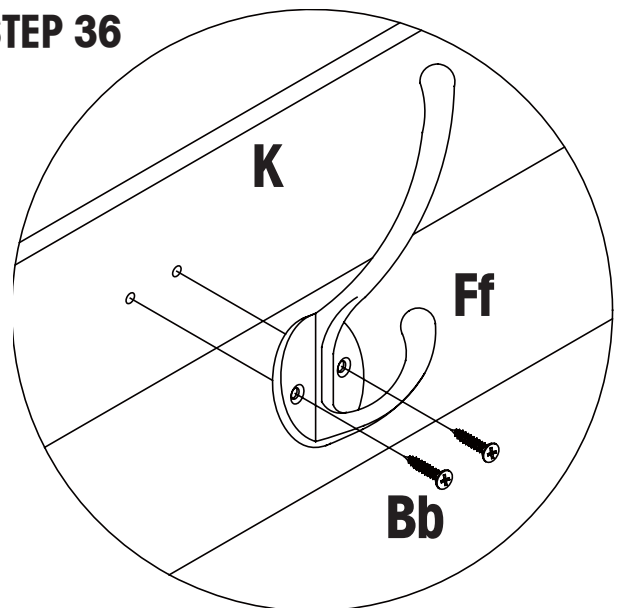
STEP 34



STEP 35

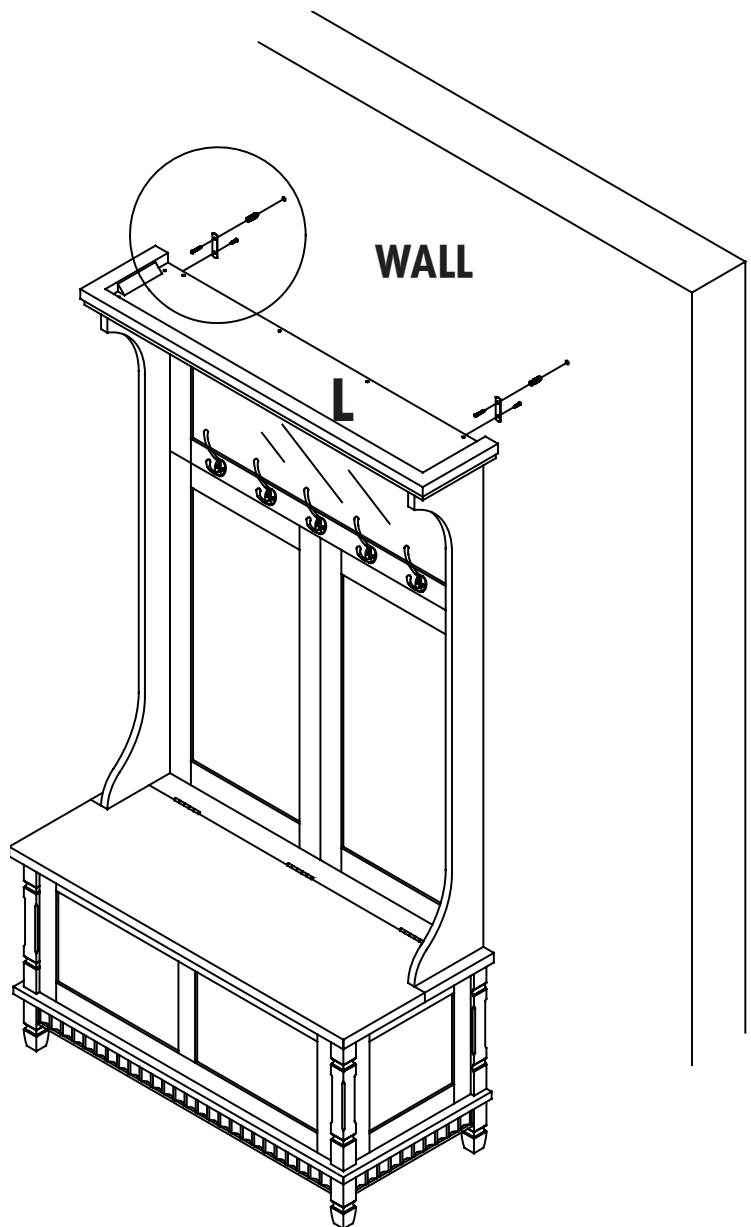
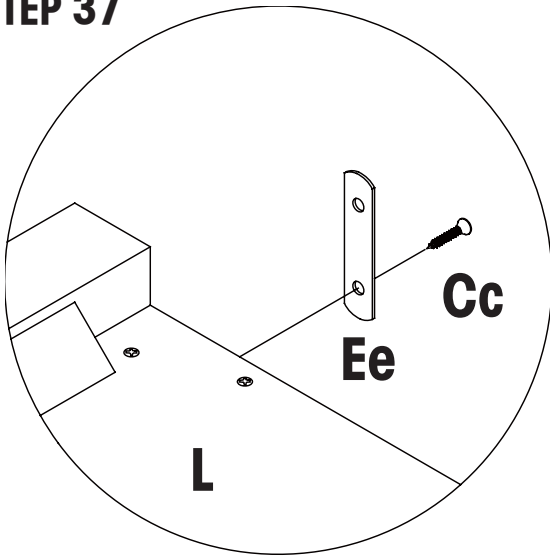


STEP 36

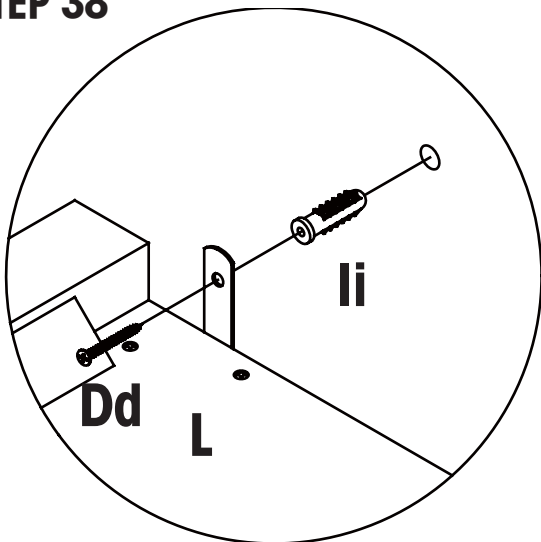


**TO PREVENT TIP OVER,
PRODUCT MUST BE ATTACHED TO WALL**

STEP 37



STEP 38



IF YOU HAVE A PROBLEM, WE WANT TO HAVE THE OPPORTUNITY TO MAKE IT RIGHT!

Should there be any missing or defective part(s),
Fax this form to (310) 841-0842
 or call Customer Service at (800) 622-4456 or (310) 204-2224
 Have your model number and part code letter handy.

MODEL NO. 383-258

© 2006 Powell

Part Letter Description Quantity

Name _____
 Address _____

Daytime Phone () _____
 Reason for replacement _____

Place of purchase _____