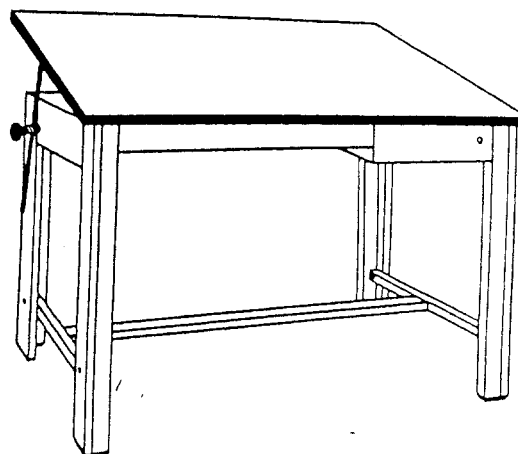


# DESIGNMASTER TABLE ASSEMBLY INSTRUCTIONS

IMPORTANT: Do not tighten bolts. Keep snug until direction #6

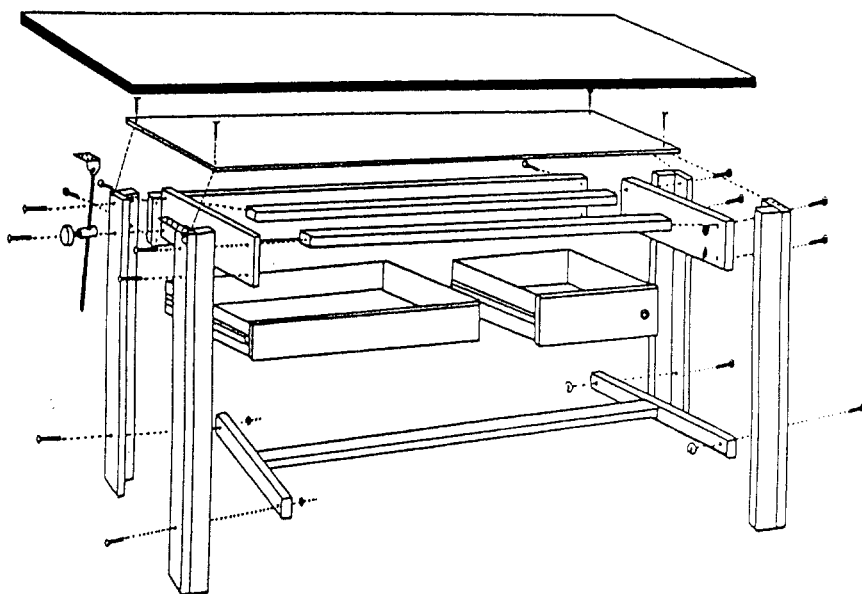
1. Attach four legs to footrest as shown. Insert four 2 3/8" long allen head bolts through holes in leg and footrest. Lock on inside using lock nuts. (Please note: two legs with attached board mounting brackets are the right and left front legs.)
2. Attach rear melamine panel (7 1/8" x 47 1/2") between two back legs. Insert 1 1/4" allen head bolts first through melamine panel and then metal plate. Lock on inside using lock nuts.
3. Attach left and right melamine panels. Insert 1 1/4" allen head bolts first through melamine panel and then metal plate. Lock on inside using lock nuts. At this point using only two bottom holes on each panel. Keep attached metal barrel facing out and towards rear of table.
4. Attach two 5 1/4" tubes between upper holes in left and right side panels. Insert 2" allen head bolts first through melamine panel and then metal plate. Lock bolt into threaded insert in metal tube. Small pre-drilled holes in tubes must face down. These holes are used to attach optional drawer system.
5. Attach dust cover using four 1 1/4" allen head bolts. Lock bolt into threaded insert in metal leg.
6. Tighten all bolts. IMPORTANT: All panels must be tight up against metal legs:
7. Place rods in through holes in metal barrels. Tighten using enclosed plastic knobs.

SEE REVERSE SIDE FOR TOP ASSEMBLY

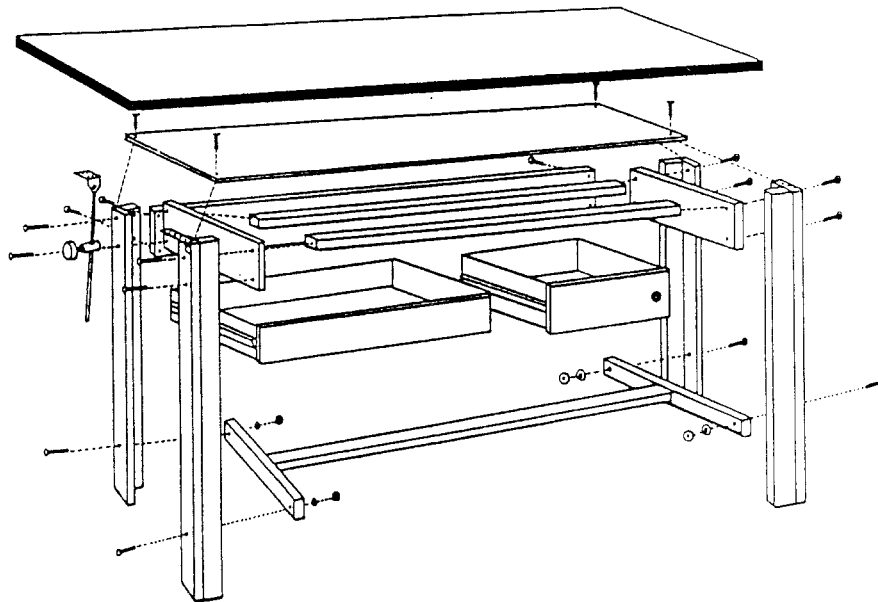
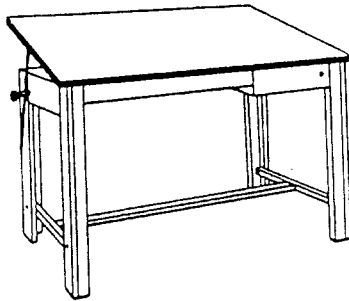


## CONTENTS OF BAG:

- 1 Allen key
- 4 2 3/8" allen bolts
- 4 2" allen bolts
- 12 1 1/4 allen bolts
- 2 adjustment knobs
- 12 lock nuts
- 12 sheet metal screws



# DESIGNMASTER TABLE DRAWER ASSEMBLY



1. Attach large draw face to drawer using two 1" black screws. When attached correctly, bottom of drawer face should be aligned with bottom of drawer
2. Using eight remaining 3/4" screws, attach drawers to pre-drilled holes in underside of 51 1/4" tubes located under dust cover. Put screw through center hole in drawer mounting bracket and screw into pre-drilled hole in tube.

PLEASE NOTE: When properly installed, larger shallow drawer will be on left and deeper tool drawer (with lock) will be on right.