

# REFLEX I

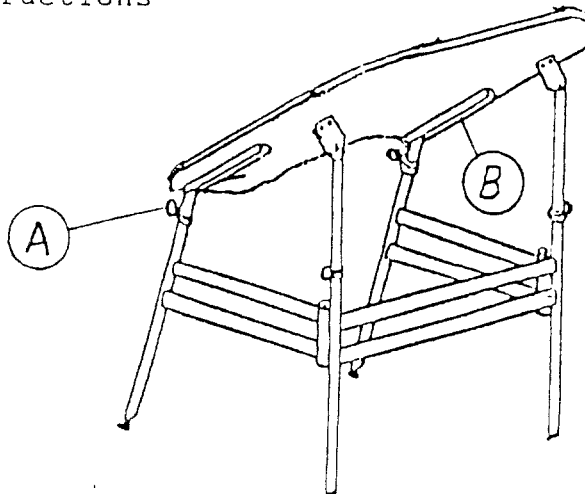
## Assembly Instructions

### Parts in Plastic Bag

A. Adjuster collar & knob assemblies (4 ea. )

B. Support braces (2)

Phillips head screws (12)



### PREPARING THE BASE

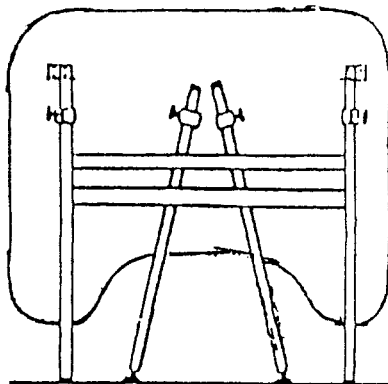
Unfold base and remove 2 rear telescoping legs with flanges. Install collar & knob assemblies over table legs by lining up all holes. Insert rear telescopes (with mounting flanges) all the way into rear frame and loosely hand-tighten collars. Loosely hand-tighten collars on front legs.

### ATTACHING THE BASE TO THE BOARD

Screw the support braces into place. Invert the base on top of board so that rear leg flanges line up with starter holes. Screw into place. (If an adjuster knob is in your way, temporarily remove).

### FOLDING THE TABLE

Drop all telescopes down to their lowest positions. Lift board up until the front telescopes disengage from the support braces, then move the left leg in until it is flush against the rear frame assembly. Next, move the right leg in flush against the left leg. When this step has been completed, gently lower the drawing board down flush against the right leg... Now the table is ready for storage.



\*\*\*\*\* FOR ALPHA TABLE, SEE OTHER SIDE \*\*\*\*\*