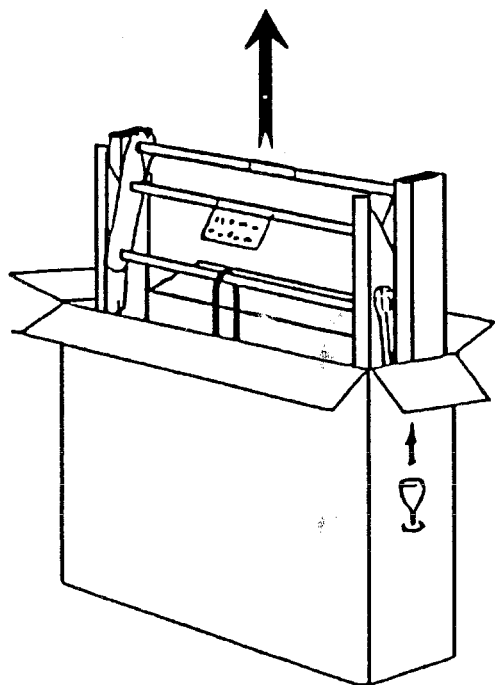
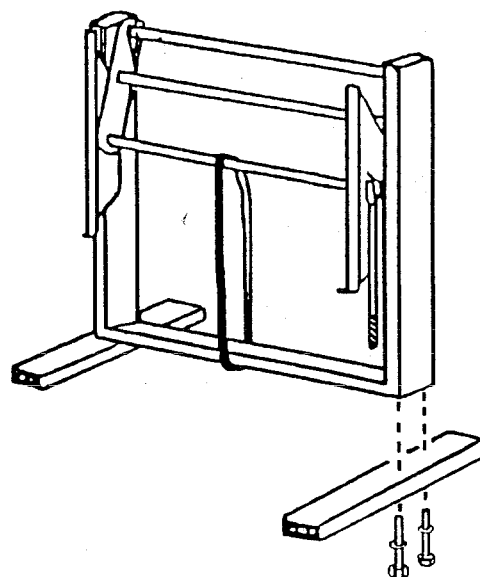




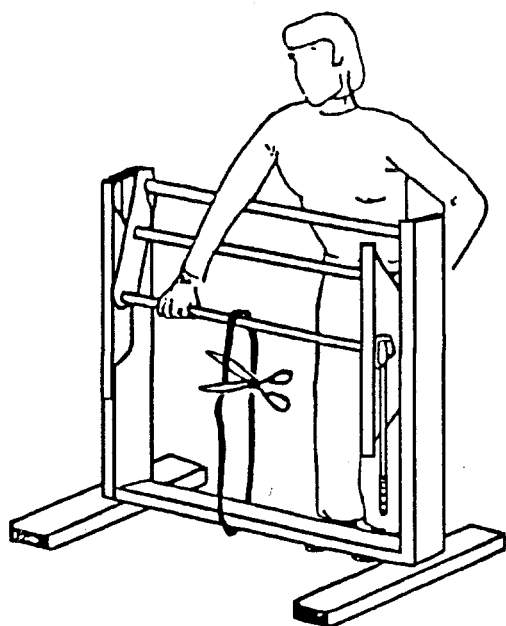
# Assembly Instructions ENSIGN TABLE



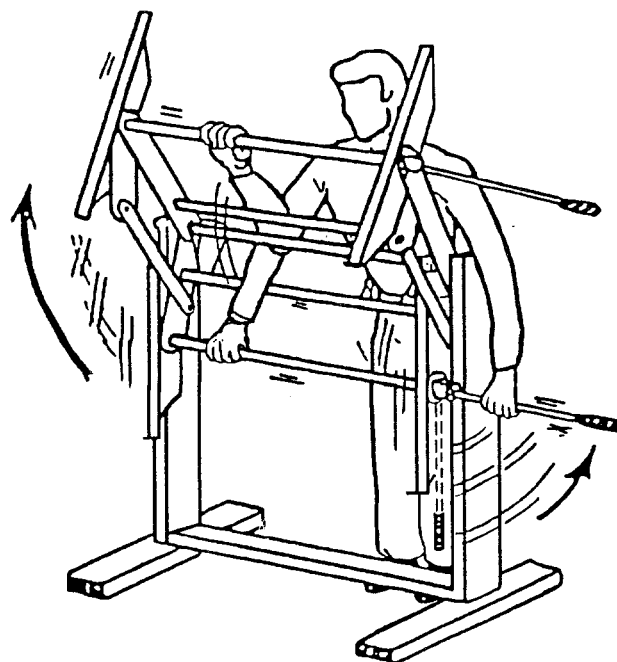
Remove the stand (Upright) from the carton.



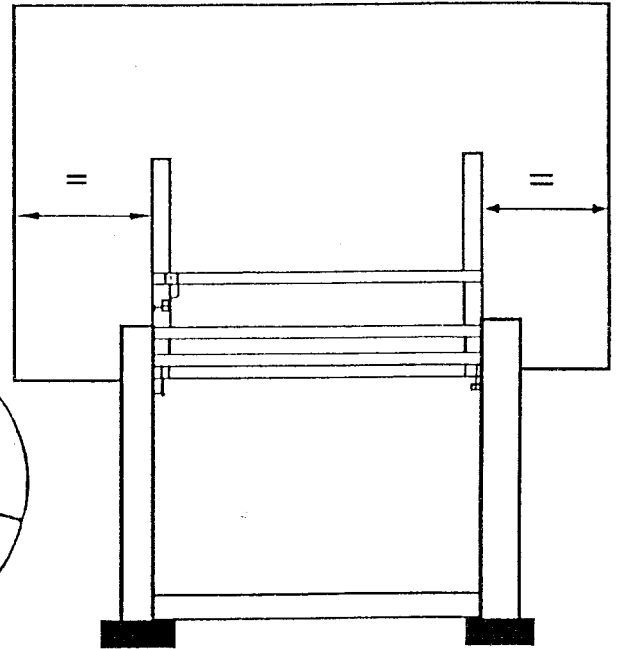
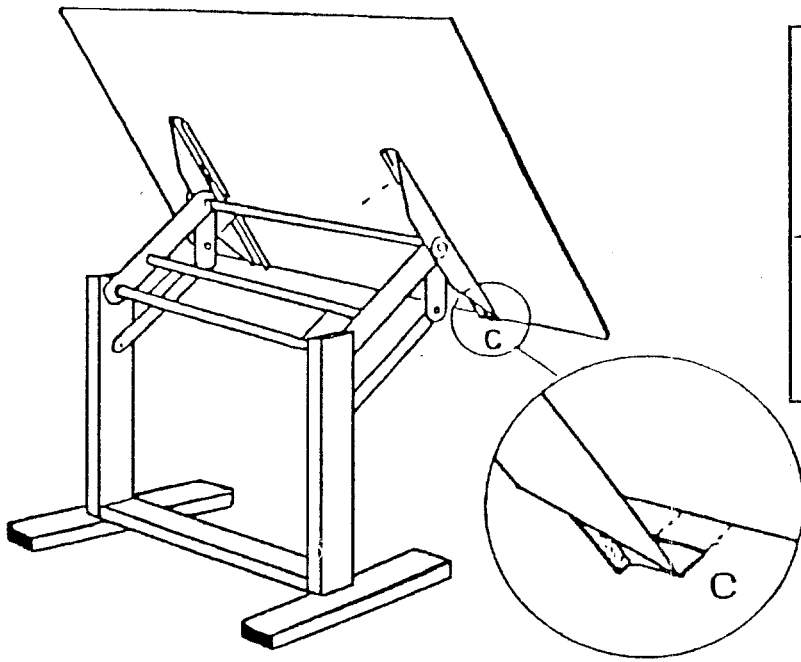
Attach the legs of the table, screwing down the bolts with the spanner supplied.



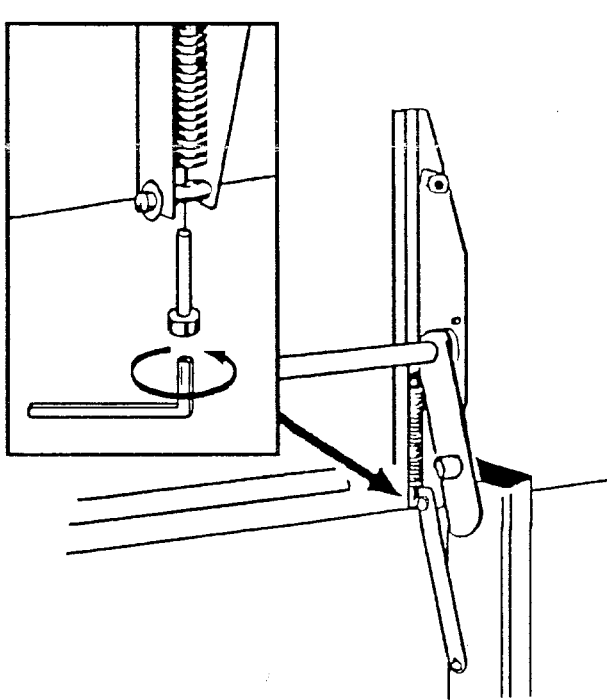
Cut the protective band while standing behind the table base.  
**ATTENTION!** One spring is in tension!



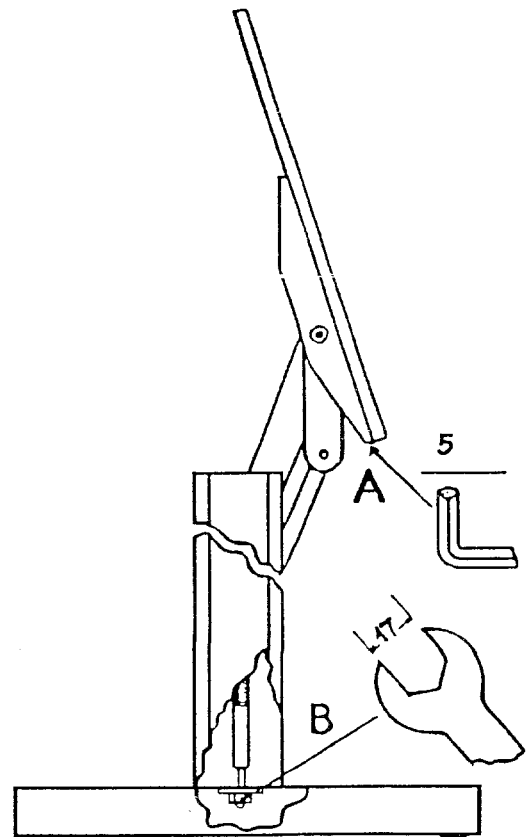
Slowly release the breaking lever, guiding the moving up of the stand



Lean the board on the steps "C", and fix it to the uprights with the screws supplied.



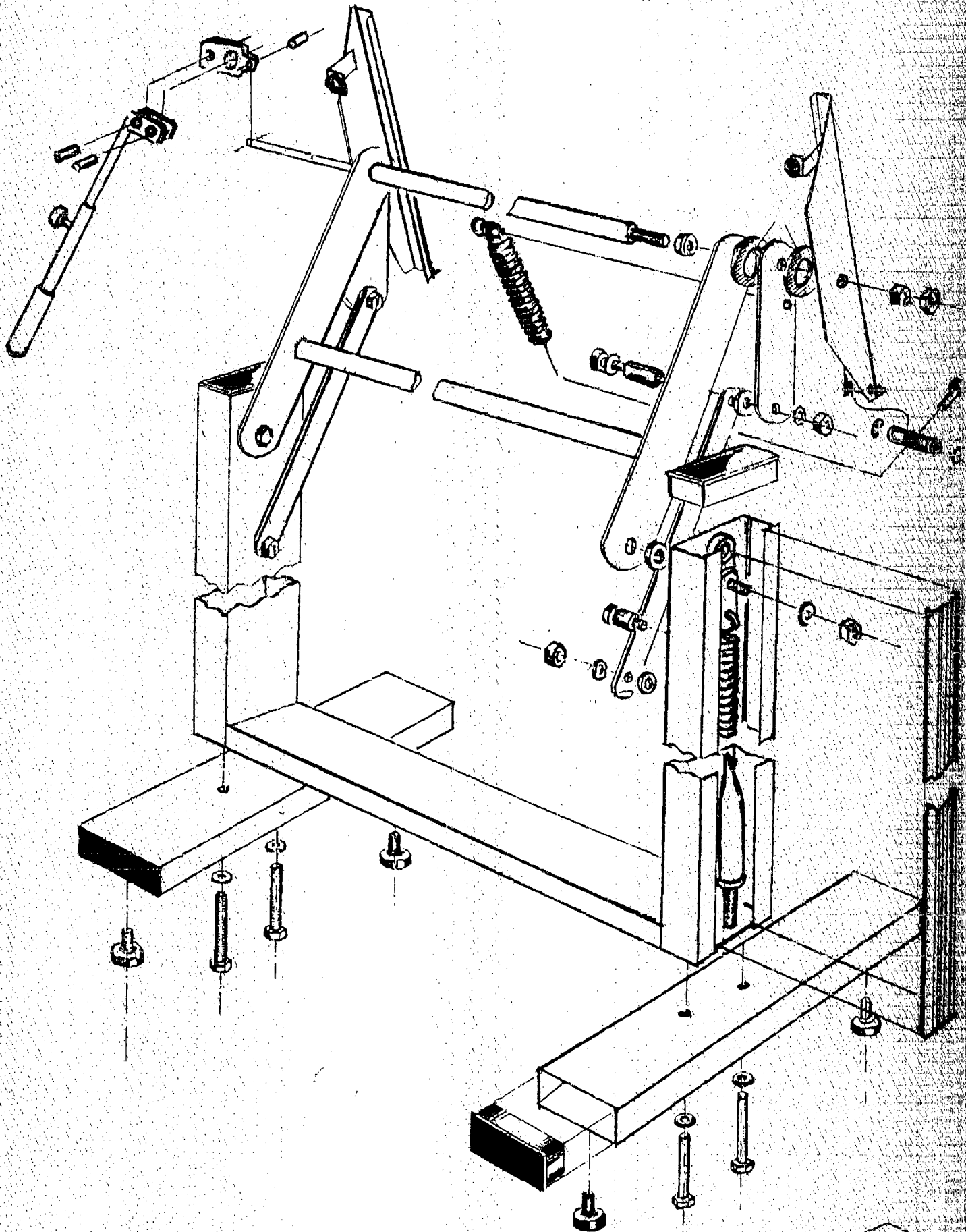
Assemble the inclination spring as shown in the picture.



To modify the balance of the stand, use the bolts "A" for the inclination, and the nut "B" for the elevation



# ALVIN Ensign Table



"Save for future reference"

