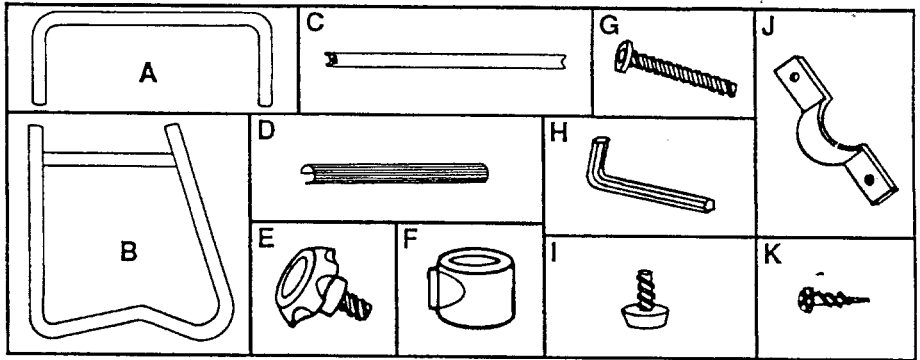


# Assembly Instructions For Alvin "INTEGRA" Table

Tools needed: Phillips-head screwdriver

## Parts List

- 2 chrome extension tubes.....part A
- 2 table support legs.....part B
- 1 footrest.....part C
- 1 footrest pad.....part D
- 4 height adjustment knobs.....part E
- 4 collars.....part F
- 2 Allen bolts.....part G
- 1 Allen wrench.....part H
- 4 adjustable rubber feet.....part I
- 3 U-clamps.....part J
- 6 Phillips-head screws.....part K



## To Assemble

1. Attach footrest (C) to table support (B) with the Allen bolts (G). (Make sure the holes for the height adjustment knobs (E) face outward). Tighten Allen bolts securely using Allen wrench (H). (Figure 1)
2. Place footrest pad (D) on footrest as shown in Figure 1.
3. Place collars (F) onto table support legs (B) and align holes. (Figure 1)
4. Insert the chrome extension tubes (A) into the assembled base and screw in the height adjustment knobs (E). Check the hole alignment and tighten partially. (Figure 2)
5. Determine which side of board you want to be the top and place that side down on a carpet or pad.
6. Determine which size board you have and use the dimensions shown in Figure 3 to position U-Clamps. (Start screw holes with enclosed nail.)
7. Turn the base upside down as show in Figure 4.
8. The front of the base is the side where the footrest is closest to the uprights which are angled backward.
9. Place the U-Clamps at the proper dimension and attach two at the front of the table. (Figure 4) (DO NOT OVER TIGHTEN THE SCREWS)
10. Screw the adjustable rubber feet into the bottom of the base. (Figure 4)
11. Turn table upright. Adjust height and angle. Tighten height adjustment knobs. Be certain height is equal on the left and right sides in both the front and rear.
12. (OPTIONAL) Attach third U-Clamp to the rear chrome extension tube ONLY if table is to be used at a permanent angle. (Figure 3)  
This will make your board more stable.

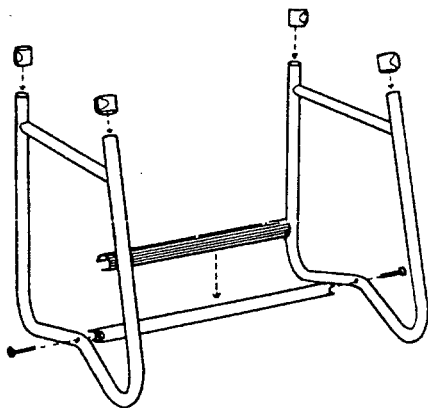


Figure 1

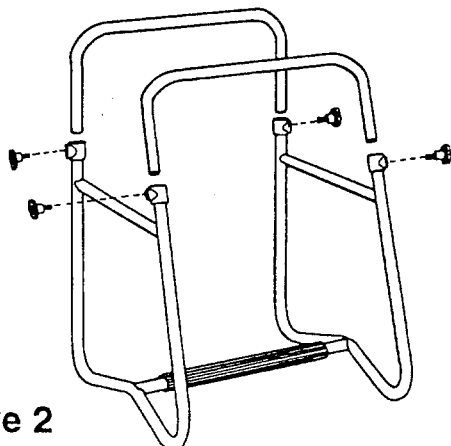
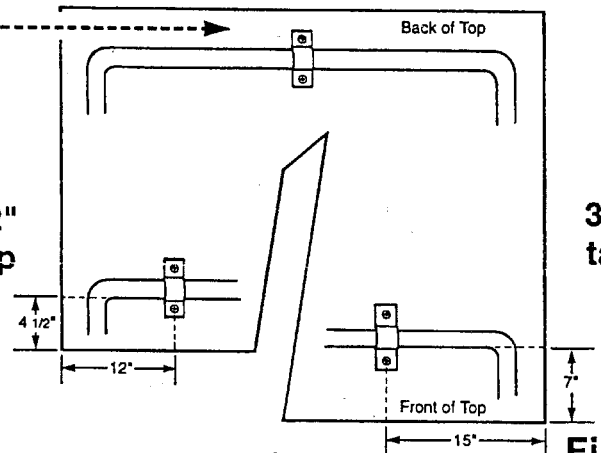


Figure 2

(OPTIONAL)  
Install clamp at  
the center of the  
board.

For  
30" x 42"  
table top



For  
36" x 48"  
table top

Figure 3

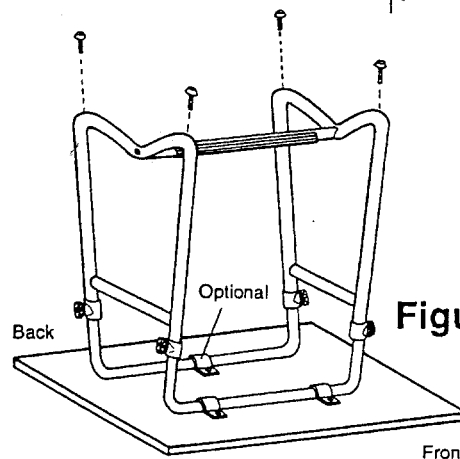


Figure 4