



WORKMASTER

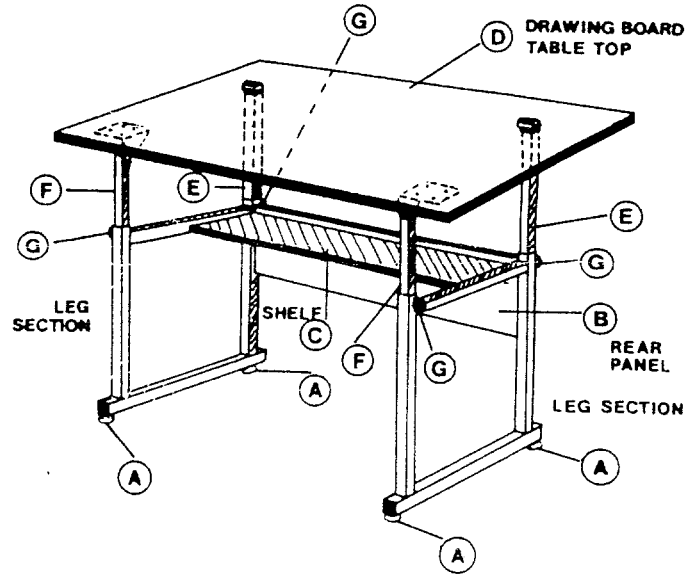
Assembly Instructions

Your WORKMASTER base has been securely packed for damage-free shipping. Before you begin assembly, unpack and carefully separate parts.

PLEASE NOTE: Rear Panel and Storage Shelf are identical and interchangeable.

CONTENTS OF BAG:

- 4 Height Adjusting Knobs
- 4 Leg Glides
- 24 No.10x5/8" Long Screws



To Assemble:

- 1) Install glides (A) in leg sections.
- 2) Install rear panel (B) by threading no.10 screws into pre-drilled holes as follows (see figure 1)

Lay down rear panel on the end of any table top, with pre-drilled holes facing up.

"Hang" leg section over rear panel so that all holes line up. Keep the panel snug against inside of leg section and thread in all four no.10 screws.

- PLEASE NOTE: (1) Take care that weight of leg section does not cause rear panel to suddenly lift up.
(2) Be sure rear panel and leg sections are snug to each other.

- 3) Set the shelf (C) on the edge of table top (Fig.2) with pre-drilled holes facing up. Carefully set upside-down base over shelf so that all holes on shelf and flanges line up and face each other. Thread in all screws while keeping shelf snug to leg sections, rear panel and flanges.

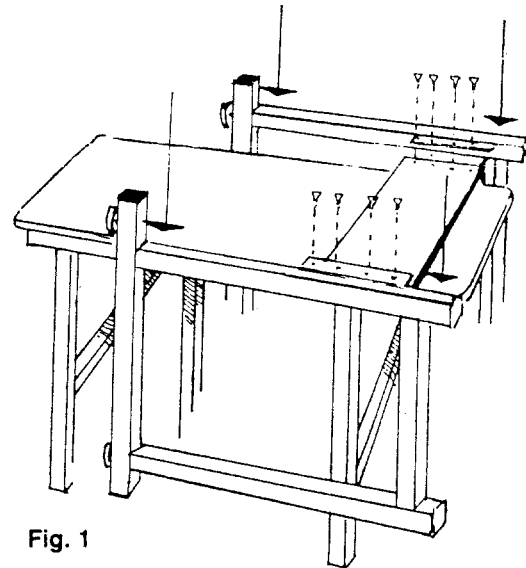


Fig. 1

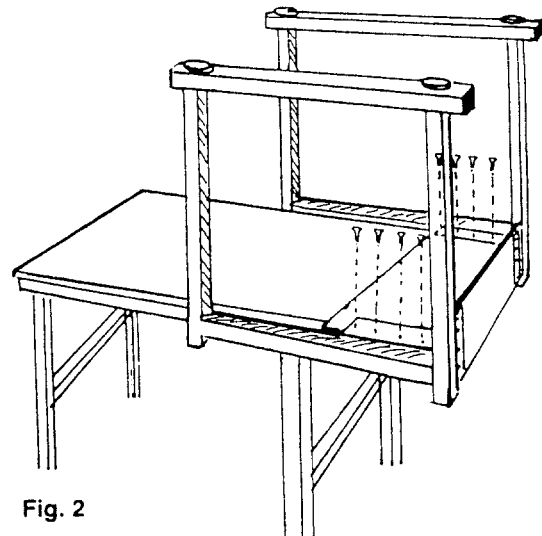


Fig. 2