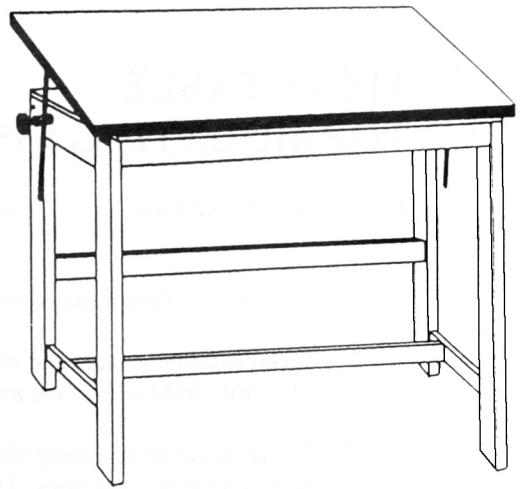


TITAN TABLE

DRAFTING HEIGHT W/DRAWER

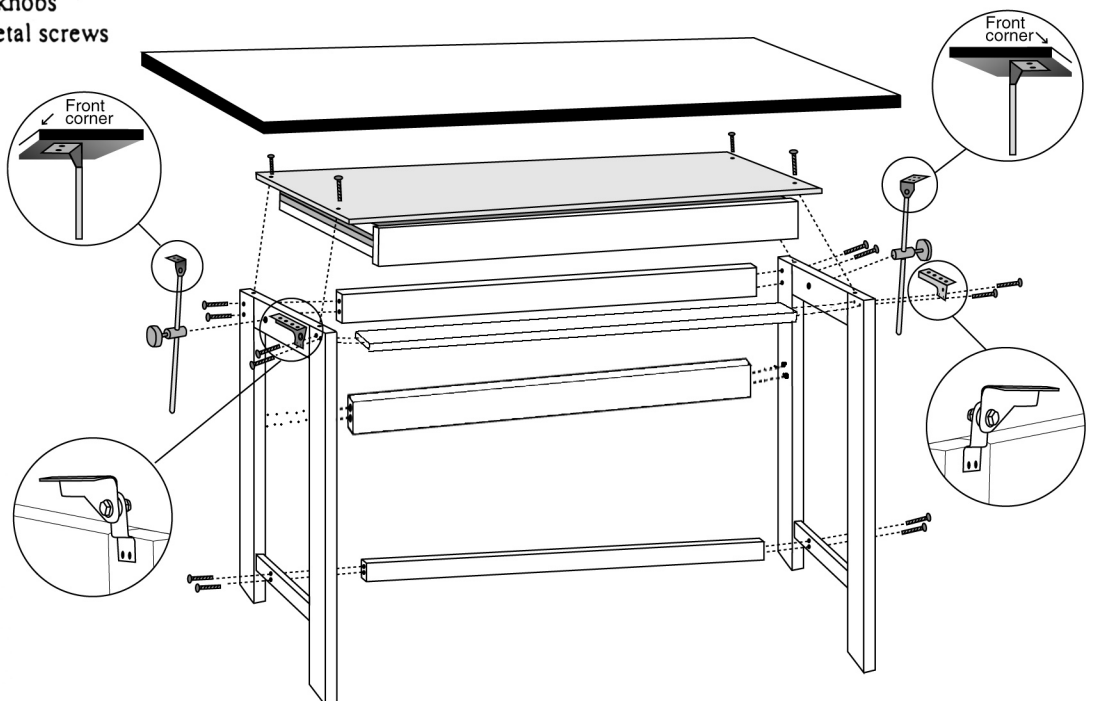
ASSEMBLY INSTRUCTIONS

1. Attach both rear crossbars (3 1/2" wide) between two side legs by inserting 2" Allen head bolts through leg and into insert in crossbar (please note: threaded barrel on side legs should be in rear and face out.).
2. Using remaining 2" Allen head bolts, attach both support bars (2" wide) as per drawing.
3. Install dust cover. Dust cover comes with drawer already attached. Insert 1/4" sheet metal screw through holes in dust cover and screw into pre-drilled holes in legs. Wooden strip on dust cover should be in front of table and facing up.
4. Tighten all bolts.
5. Place rods through holes in metal barrels. Tighten using enclosed plastic knobs.
6. Using 1/4" screws, attach hinge assemble to front of side legs. Insert screws through holes in hinge assemble and screw into pre-drilled holes in side legs. Please see drawing for correct placement of hinge assembly.



CONTENTS OF BAG

- 1 Allen key
- 16 2" Allen bolts
- 2 adjustment knobs
- 20 1/4" sheet metal screws



TITAN TABLE TOP MOUNTING INSTRUCTIONS

This base can be used with 42", 48" or 60" wide top.

- 1 Place top on floor or any clean, flat surface with better side facing down.
- 2 Invert assembled table and place on board. Position front of hinge assembly 1½" from front of top, and evenly centered between left and right edges of top.
- 3 Using an awl or any sharp object, punch small starter holes in each of the eight holes on hinge assemblies. Using eight ¼" screws, attach hinge assemblies to top.
- 4 Position front of rear mounting brackets 19.5" from front of top, and centered between left and right edges of top. Punch small starter holes in each of the four holes, and attach using four ¼" screws.
- 5 Tighten adjustment knobs in threaded barrel so top cannot move when returning to upright position.