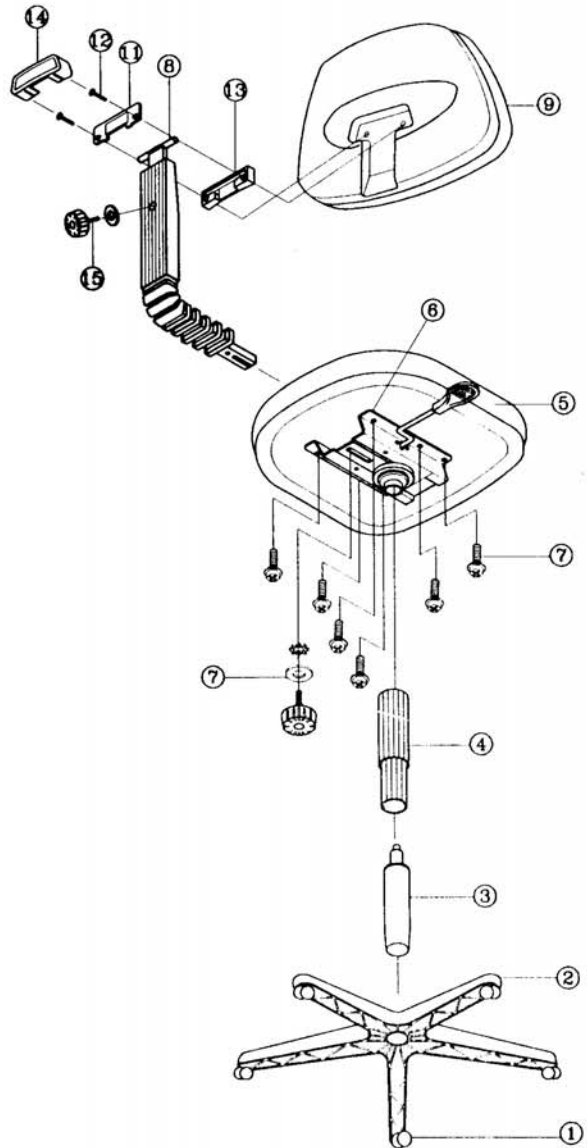
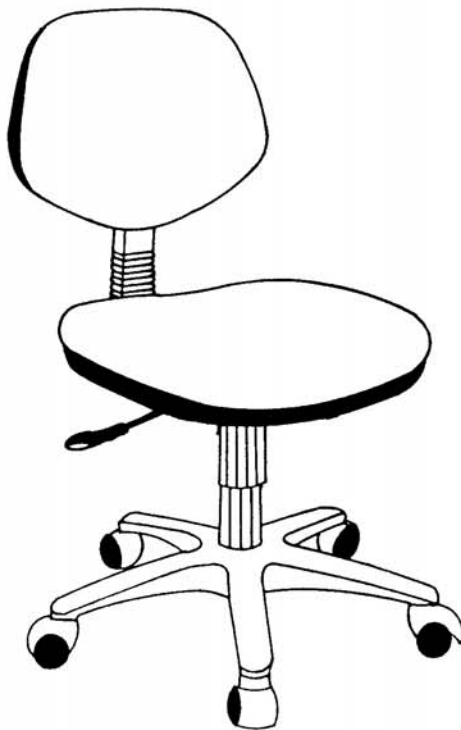




# Assembly Instructions for Chair No. CH222

PARTS LIST		
KEY	QTY.	DESCRIPTION
1	5	CASTER
2	1	BASE
3	1	SEAT POST
4	1	SEAT POST BELLOW
5	1	SEAT
6	1	SEAT PLATE
7	4	SEAT PLATE SCREW
8	1	BACKREST POST + PLASTIC COVER
9	1	BACKREST
10	1	BACKREST DEPTH ADJ. KNOB + WASHERS
11	1	STEEL PLATE
12	2	BACKREST SCREW
13	1	PLASTIC HOLDER
14	1	PLASTIC COVER
15	1	UP & DOWN KNOB + WASHER



Made in Taiwan

### ASSEMBLY INSTRUCTION

1. Insert (1) casters into (2) base.
2. Insert (3) seat post onto (2) base, then insert (4) seat post bellow over (3) seat post.
3. Screw-in tightly (7) seat plate screw together with (6) seat plate to (5) seat.
4. Insert (8) backrest post + plastic cover into (6) seat plate and tighten by (10) backrest depth adj. Knob + washers.
5. Screw-in (12) backrest screw with (13) plastic holder, (8) backrest post + plastic cover and (11) steel plate to (9) backrest. Snap (14) plastic cover to (9) backrest.
6. Put (15) up & down knob + washer into (8) backrest post + plastic cover.
7. Place the upper assembled portion of chair into (3) seat post.

### PREVENTIVE MAINTENANCE AND WARNING

- USE THIS PRODUCT ONLY FOR SEATING ONE PERSON AT A TIME.
- DO NOT USE CHAIR AS STEP STOOL/LADDER.
- DO NOT USE CHAIR UNLESS ALL BOLTS, SCREWS AND KNOBS ARE TIGHT. AT LEAST EVERY SIX MONTHS, CHECK ALL BOLTS, SCREWS AND KNOBS TO BE SURE THEY ARE TIGHT.
- IF ANY PARTS ARE MISSING, BROKEN, DAMAGED OR WORN, STOP USE OF THE PRODUCT UNTIL REPAIRS ARE MADE USING FACTORY AUTHORIZED PARTS.
- FAILURE TO FOLLOW THESE WARNINGS CAN RESULT TO SERIOUS INJURY.

