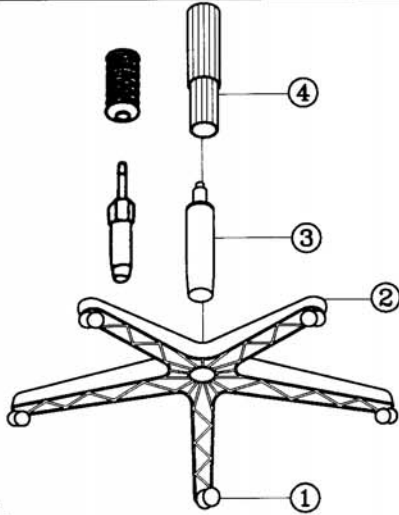




Assembly Instructions for "COMFORT" Classic Chair No. CH277

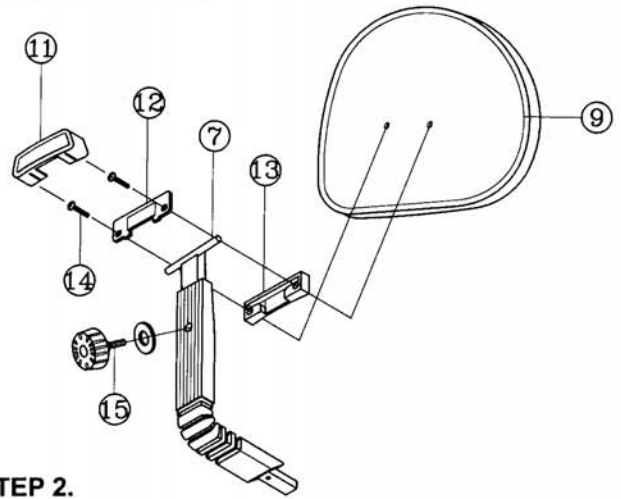
PARTS LIST

KEY	QTY	DESCRIPTION	KEY	QTY	DESCRIPTION	KEY	QTY	DESCRIPTION
1	5	CASTER	6	1	SEAT PLATE	11	1	PLASTIC COVER
2	1	BASE	7	1	BACKREST POST +	12	1	STEEL PLATE
3	1	SEAT POST			PLASTIC COVER	13	1	PLASTIC HOLDER
4	1	SEAT POST COVER	8	6	SEAT PLATE SCREW	14	2	BACKREST SCREW
5	1	BACKREST DEPTH	9	1	BACKREST	15	1	UP & DOWN KNOB + WASHER
		ADJ. KNOB + WASHER	10	1	SEAT			



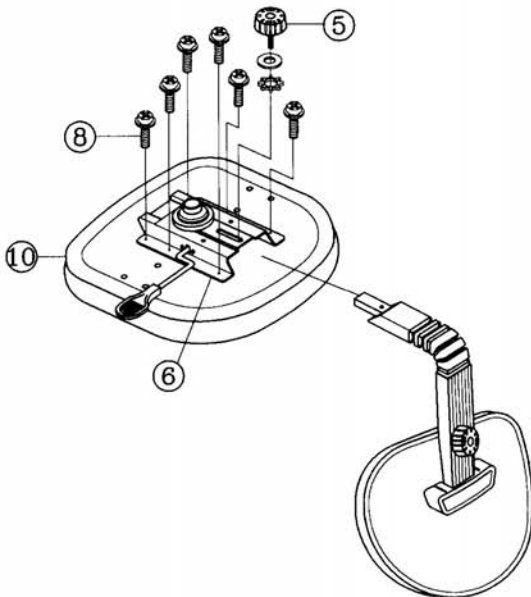
STEP 1.

- Insert (1) casters into (2) base. Insert (4) seat post into (2) base. Slide-in (4) plastic cover to (3) seat post.



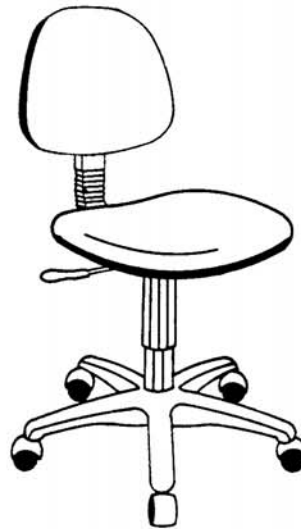
STEP 2.

- Flush (10) backrest post + plastic cover to (13) plastic holder. Screw-in (12) steel plate and (13) plastic holder to (9) backrest aligning holes with (14) backrest screws. Snap (11) plastic cover on (13) plastic holder



STEP 3.

- Align (5) seat plate to back of (6) seat and screw-in with (8) seat plate screws. Insert (7) backrest post + plastic cover under (6) seat plate. Securely tighten with (5) backrest depth adj. knob + washers and (15) up & down knob + washer. Adjust to desired position.



STEP 4.

- Place the upper assembled portion of chair into (3) seat post.

Made in Taiwan

PREVENTIVE MAINTENANCE AND WARNING

- USE THIS PRODUCT ONLY FOR SEATING ONE PERSON AT A TIME.
- DO NOT USE CHAIR AS STEP STOOL/LADDER.
- DO NOT USE CHAIR UNLESS ALL BOLTS, SCREWS AND KNOBS ARE TIGHT. AT LEAST EVERY SIX MONTHS, CHECK ALL BOLTS, SCREWS AND KNOBS TO BE SURE THEY ARE TIGHT.
- IF ANY PARTS ARE MISSING, BROKEN, DAMAGED OR WORN, STOP USE OF THE PRODUCT UNTIL REPAIRS ARE MADE USING FACTORY AUTHORIZED PARTS.
- FAILURE TO FOLLOW THESE WARNINGS CAN RESULT TO SERIOUS INJURY.

