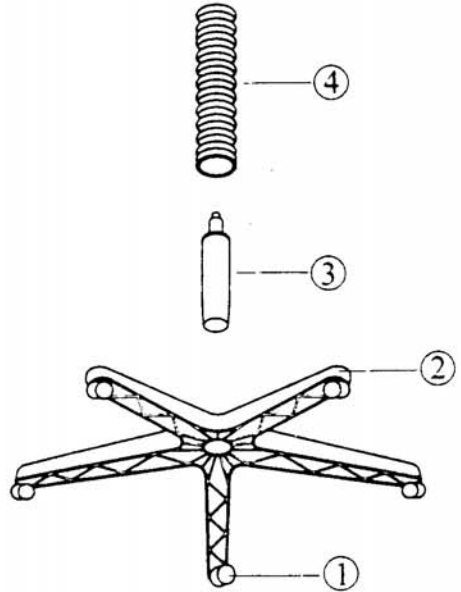




# Assembly Instructions for Studio Chair No. CH202

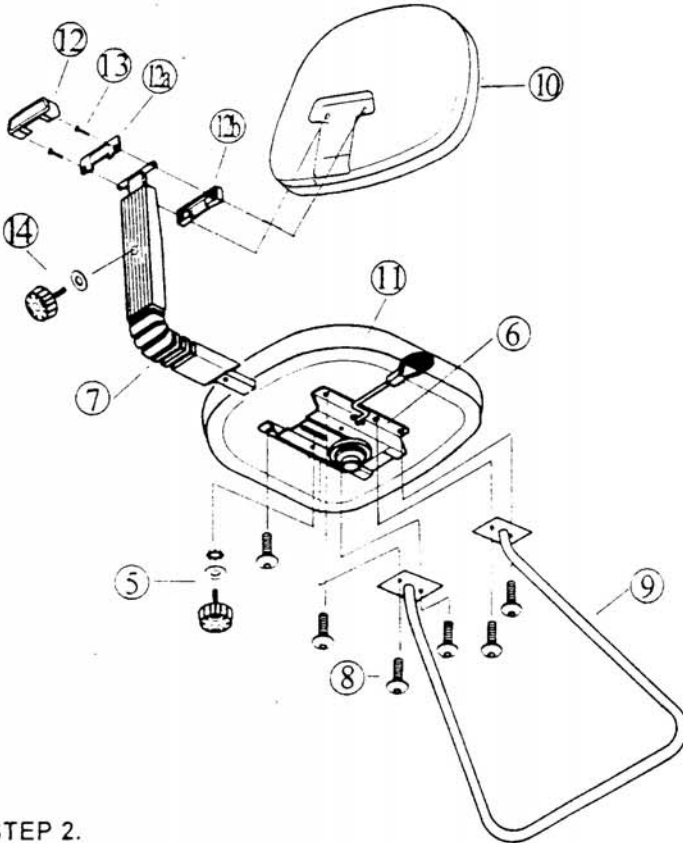
## PARTS LIST

KEY	QTY	DESCRIPTION
1	5	CASTER
2	1	BASE
3	1	SEAT POST
4	1	PLASTIC BELLOW
5	1	KNOB FOR IN & OUT + WASHERS
6	1	MECHANISM
7	1	BACKREST POST + PLASTIC COVER
8	6	M6x24mm MECHANISM SCREW
9	1	FOOTREST
10	1	BACKREST
11	1	SEAT
12	1	PLASTIC COVER
12a	1	STEEL PLATE
12b	1	PLASTIC HOLDER
13	2	M6x32mm BACKREST SCREW
14	1	UP & DOWN KNOB + WASHER



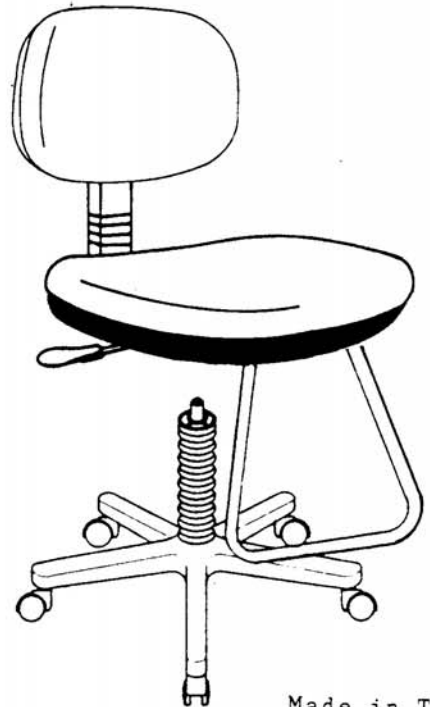
### STEP 1.

- Insert (1) casters into (2) base. May require extra effort when inserting to lock in place. Slide (4) plastic bellow over (3) seat post. Insert (3) seat post into (2) base.



### STEP 2.

- Attach (6) mechanism to (11) seat initially with (8) mechanism screws at the bottom. Align (9) footrest to upper part of (6) mechanism and screw-in with (8) mechanism screws. Flush (7) backrest post (T-top) to (12b) plastic holder. Screw-in (12a) steel plate and (12b) plastic holder to (10) backrest aligning holes with (13) backrest screws. Snap (12) plastic cover on (12b) plastic holder. Insert (7) backrest post + plastic cover under (6) mechanism. Securely tighten with (5) knob for in & out and (14) up & down knob + washers. Adjust to desired position.



Made in Taiwan

### STEP 3.

- Place upper assembled portion of chair into (3) seat post

