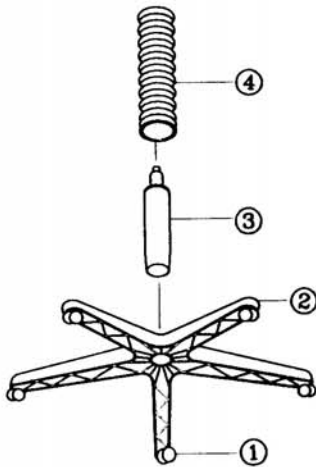




# Assembly Instructions for "COMFORT" Classic Chair No. DC999

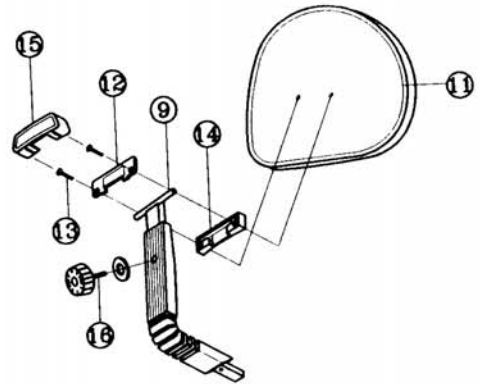
## PARTS LIST

| KEY | QTY | DESCRIPTION     | KEY | QTY | DESCRIPTION                        | KEY | QTY | DESCRIPTION             |
|-----|-----|-----------------|-----|-----|------------------------------------|-----|-----|-------------------------|
| 1   | 5   | GLIDE           | 7   | 6   | SEAT PLATE SCREW                   | 11  | 1   | BACKREST                |
| 2   | 1   | BASE            | 8   | 1   | FOOTREST                           | 12  | 1   | PLASTIC HOLDER          |
| 3   | 1   | SEAT POST       | 9   | 1   | BACKREST POST + PLASTIC COVER      | 13  | 1   | STEEL PLATE             |
| 4   | 1   | SEAT POST COVER |     |     | PLASTIC COVER                      | 14  | 2   | BACKREST SCREW          |
| 5   | 1   | SEAT PLATE      | 10  | 1   | BACKREST DEPTH ADJ. KNOB + WASHERS | 15  | 1   | PLASTIC COVER           |
| 6   | 1   | SEAT            |     |     |                                    | 16  | 1   | UP & DOWN KNOB + WASHER |



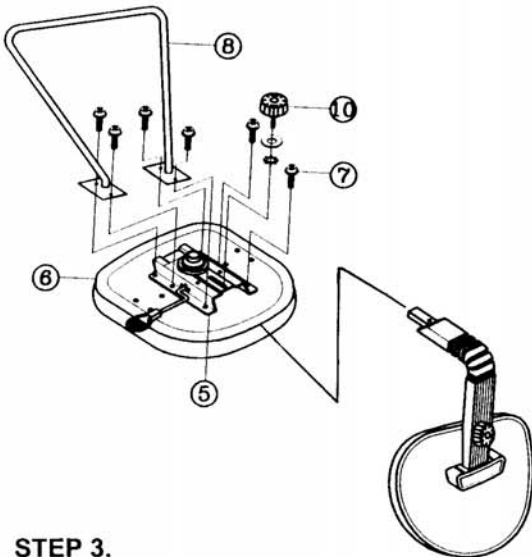
### STEP 1.

- Insert (1) glides into (2) base. Insert (4) seat post into (2) base. Slide-in (4) plastic cover to (3) seat post.



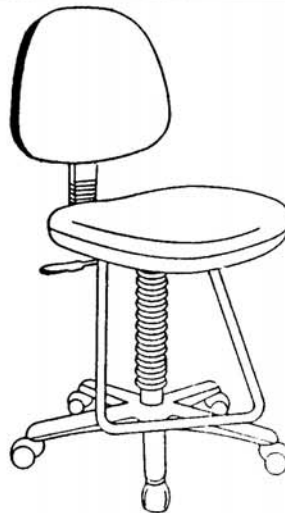
### STEP 2.

- Insert (14) backrest into (10) backrest post + plastic cover. Securely tighten with (16) up & down knob + washer.



### STEP 3.

- Align (5) seat plate to back of (6) seat and screw-in initially bottom part with two (7) seat plate screws. Align holes of (8) footrest into upper holes of (5) seat plate and securely tighten with remaining (7) seat plate screws. Insert (9) backrest post + plastic cover into (5) seat plate. Securely tighten with (10) backrest depth adj. Knob + washers. Adjust to desired position.



### STEP 4.

- Place the upper assembled portion of chair into (3) seat post.

Made in Taiwan

### PREVENTIVE MAINTENANCE AND WARNING

- USE THIS PRODUCT ONLY FOR SEATING ONE PERSON AT A TIME.
- DO NOT USE CHAIR AS STEP STOOL/LADDER.
- DO NOT USE CHAIR UNLESS ALL BOLTS, SCREWS AND KNOBS ARE TIGHT. AT LEAST EVERY SIX MONTHS, CHECK ALL BOLTS, SCREWS AND KNOBS TO BE SURE THEY ARE TIGHT.
- IF ANY PARTS ARE MISSING, BROKEN, DAMAGED OR WORN, STOP USE OF THE PRODUCT UNTIL REPAIRS ARE MADE USING FACTORY AUTHORIZED PARTS.
- FAILURE TO FOLLOW THESE WARNINGS CAN RESULT TO SERIOUS INJURY.

