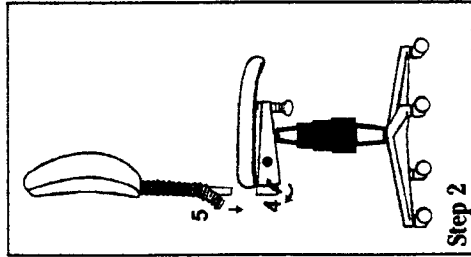


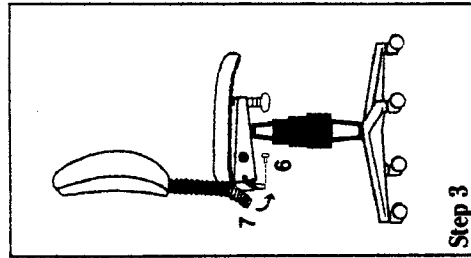
**Step 1**

Insert the Gas Lift into the Base. Place the Seat and Mechanism firmly on top of the Gas Lift. Sit firmly and heavily on the chair at least three times to tighten the connecting joints.



**Step 2**

Pull the bottom bellow lower, hold the back solid bar in place, push down into the steel square on the mechanism, then re-set the bottom bellow in right position.



**Step 3**

Pull up the back solid bar at desired height, then tight it up with attached screw big holder on the mechanism

**CONTENTS**

Parts	Qty	Parts	Qty
Backrest w/solid bar	1	Caster	5
Seat	1	Nylon Base	1
Heavy mechanism	1	Screw M18x2.5m/m	4
Gaslift w/cover	1	Washers	4

**OPERATING INSTRUCTIONS**

Before starting, please read instructions carefully.

**To Lower Seat:**

Lift lever D while seated; release lever when desired height is reached. Do NOT push down on lever.

**To Raise Seat:**

Lift lever D while taking weight off the chair; release lever when desired height is reached. Do NOT push down on lever.

**To Adjust Seat Angle:**

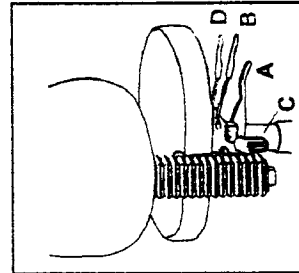
While seated, lift lever B, rock backward and/or forward until your desired seating position is reached; release lever. To "free float" the seat, push lever B all the way down until it locks; release from "free float" to lock position by returning lever B to its normal position.

**To Adjust Back Angle:**

While seated, lift lever A; lean backward or forward until your desired back angle position is reached, release lever. To "free float" the back, push lever A all the way down until it locks; release from "free float" to lock position by returning lever A to its normal position.

**To Raise or Lower Back Support:**

While seated, turn control handle C one-quarter turn backward and raise or lower the back support until the desired position is reached, release the control handle.



**CAUTION:** 1. Do not use this chair as a step ladder .  
2. Check for loose screws and tighten them every 6 months.

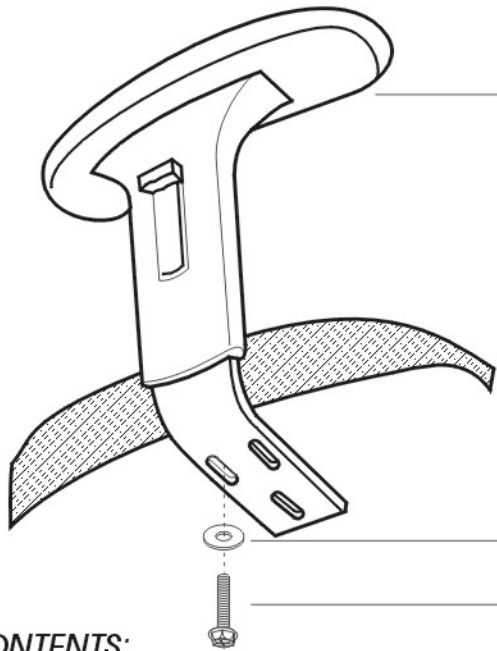


# Assembly Instructions

Adjustable Armrest

## Model AA-1

For Chair Model 118-2,105,241



Adjustable PU Armrest

Seat Cushion

Flat Washer

Screw

### CONTENTS:

Parts	Qty	Hardware	Qty
Adjustable PU Armrest	1	Flat Washer	6
		Screw(M6*25m/m)	6
		Wrench	1

### INSTRUCTIONS:

Before starting, please read instructions carefully.

Step 1 Turn the Seat Cushion upside down on a clean surface. Assemble the two Adjustable PU Armrests with the Screws and Flat Washers provided.(We recommend placing the larger end of the PU pad to the front.)

CAUTION:1.Do not suddenly apply excess pressure on the PU pad.

### ADJUSTMENTS:

Arm height Adjustment: Pull the knob on the side of the armrest to adjust arm height.

For information on these fine products call your nearest OFM furniture dealer.

- Ergonomic Home/Office Chairs
- "President's Choice" Top Grain Leather chair
- "The Executive" Genuine Leather Chair
- "The Able Chair" for the physically Challenged
- Computer/Task Chair
- "The Elegante" Leather Chair
- 

\* Polyurethane

Made and printed in Taiwan.

OFM, Inc.  
 2511 Reliance Ave.,  
 Apex, NC 27502  
 Phone: 919-303-6389  
 Fax: 919-362-4765  
 Customer Service: 800-520-7471  
 Web Site: [www.ofminc.com](http://www.ofminc.com)  
 E-mail: [ofm@ofminc.com](mailto:ofm@ofminc.com)

Made and printed in Taiwan.