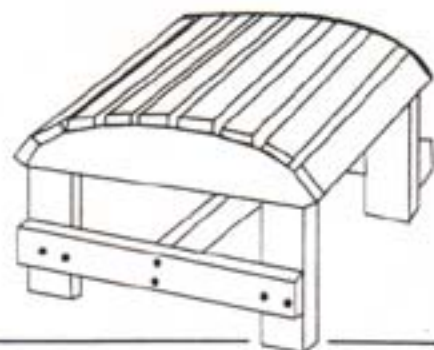




PHONE: (705) 386-0757
 FAX: (705) 386-0915
 TOLL FREE: 1-800-421-1406

BOX 509, SOUTH RIVER, ONTARIO P0A 1X0

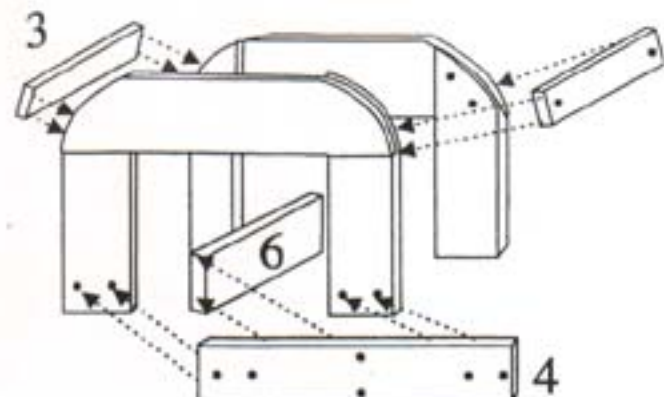
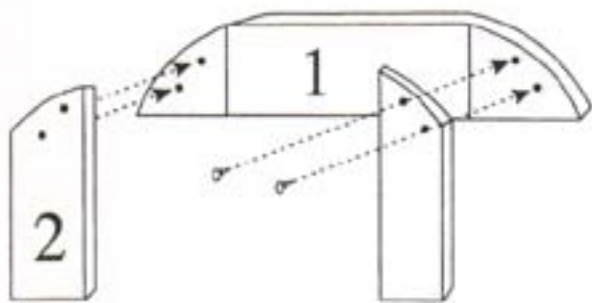


OTTOMAN KIT BC01

Parts list/Listes des pièces

#	Description	Description des pièces	Qty.
1	Side	Côte	2
2	Legs	Pied	4
3	Slat	Planche	9
4	Support	Support	2
5	Screw	Visses	38
6	Cross Support		1

**REMEMBER TO USE
WOOD GLUE ON ALL JOINTS**



Directions

Mode d'emploi

- 1) Attach the numbered legs (#2) to the corresponding numbered side (#1) with 2 screws. (Line up the pencil marks and screw holes.)

Attacher les pieds (#2) au cote correspondant (#1) avec 2 visses. (Aligner les marques au crayon avec les trous de visses).

2. Attach the 2 sides together with a slat and 2 screws along the end of each side. (Make sure the legs are on the inside). Do the same on the other end. Dry fit the remaining 7 slats, spacing them out evenly. Do this by putting the screws through the slats so the point is just protruding out the other side, and pressing the slat into place. Attach the slats.

Attacher les 2 cotes ensemble avec une planche (#3) et deux visses le long de chaque cote. (Faire attention a avoir les pieds a l'interieur). Poser les 7 autres planches en les espacant regulierement. Faire cela en plaçant les visses a travers les planches de facon a ce que la pointe depasse de l'autre cote et en enfonçant les planches dans la partie des visses qui depasse. Verifier que tout est correct et visser les visses.

3. Place one support (#4) against two of the legs approximately 2"/50mm from the bottom of the leg and attach with 4 screws. Repeat for the other side.

Placer un support (#4) contre deux des pieds a environ 5cm du bas des pieds et l'attacher avec 4 visses. Repeter de l'autre cote.

4. Place the cross support (#6) between the two supports (#4) and attach with the remaining 4 screws.



PHONE: (705) 386-0757
 FAX: (705) 386-0915
 TOLL FREE: 1-800-421-1406

BOX 509, SOUTH RIVER, ONTARIO P0A 1X0



Folding Sidetable BC02/Petite Table Pliable BC02

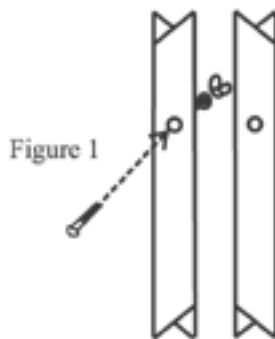


Figure 1

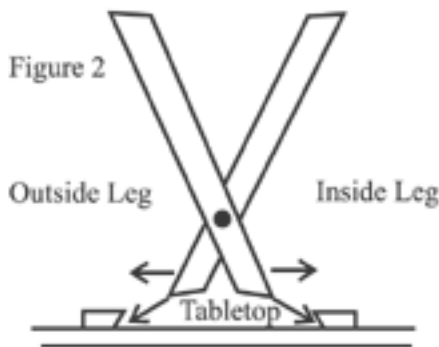
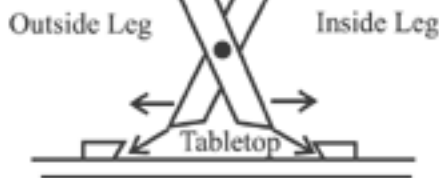


Figure 2



Outside Leg

Inside Leg

Tabletop

- 1) Take the four tables legs and make two sets as shown in figure 1. Insert carriage bolts through the holes in the legs and secure with a flat washer and wingnut. Make sure the two leg assemblies are mirror images of one another as shown.
- 2) Turn the tabletop assembly upside down and place on a level surface. Scissor open the two sets of legs and place against the angled supports on the underside of the tabletop using one of the leg cross braces as a spacer. The two wingnuts should be facing inward and the inside legs of each set should be facing the same direction as in figure 5. If not then remove one of the carriage bolts and go back to step 1.
- 3) The two short cross braces are used to secure the two inside legs to each other as in figure 3. Attach the two braces, one near the bottom of the tabletop and the other (with the Bear Chair logo) about half way down the legs. Make sure that the cross braces do not stick out past the edge of the legs or it will impede the ability of the leg assembly to fold completely.

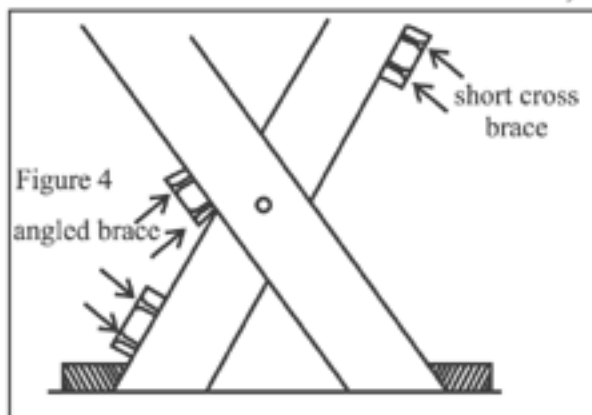


Figure 4

angled brace

short cross brace

- 4) The angle brace secures the two outer legs together and is positioned as shown in figure 3 & 4. Leave a small gap (1/4") between the angled side of the brace and the inside set of legs as shown in figure 4.

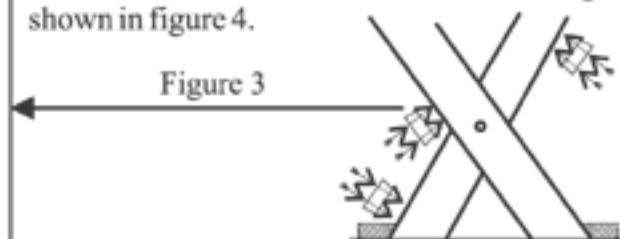
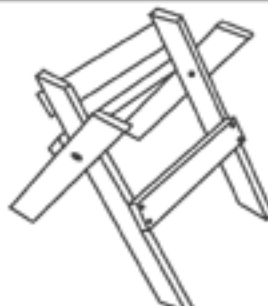


Figure 3

Figure 5



You are now ready to use your table. Fold your leg assembly all the way closed to make sure it doesn't bind. Open the legs half way and place the tabletop on the leg assembly and wiggle the top until the legs spread and engage the underside of the tabletop. Tightening the wingnuts will allow the table to be moved around as one unit and a sharp jerk will separate the two pieces to allow the legs to fold for convenient storage.

- Attach the "Comfort Slat (#7) on the angled edge about 5mm 1/4" in front of the "Back Slats" with 2 screws. Attach the 6 seat slats (#6) to the Sides using plated screws. Evenly space slats along the sides (approx. 5mm 1/4" spacing).



Joindre la dernière lame (#7) "Back Slat" aux côtés en laissant à peu près de 5mm 1/4" entre le bord arrière de la lame du dossier, avec deux vis. Joindre les 6 lames (#6) aux côtés avec les vis. Laisse 5mm 1/4" entre chaque lame.

FINAL ASSEMBLY

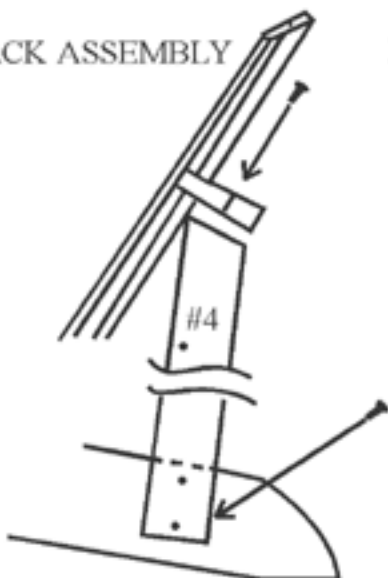
- Attach the top of the Struts (#4) to the underside of the Top Back Support (#10) with 2 screws.

Joindre la partie supérieure du supports (#4) au support supérieur du dossier (#10) avec deux vis.

- This is where you see if you assembled your Back assembly straight or cockeyed. Visually look down the length of the strut and see where it touches the Sides. If it is noticeably leaning one way or another, then firmly grasp the top of the back assembly and force it left or right until the struts can be screwed into the Sides without having to twist or bend them.

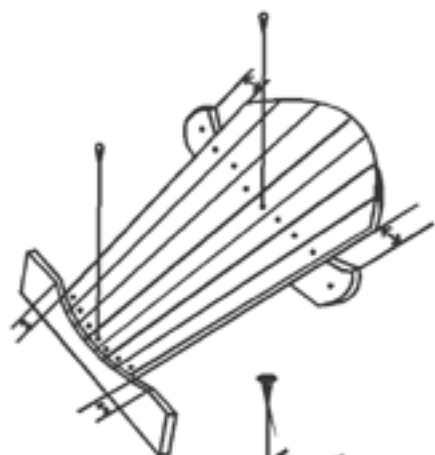
C'est maintenant que vous vérifiez si vous avez correctement assemblé l'ensemble dos. Regardez le dos et observez les planches support si elles penchent d'un côté tenir fermement le haut du dos et le forcer à droite ou à gauche jusqu'à une des planches support puissent être tordues ou courbées.

BACK ASSEMBLY



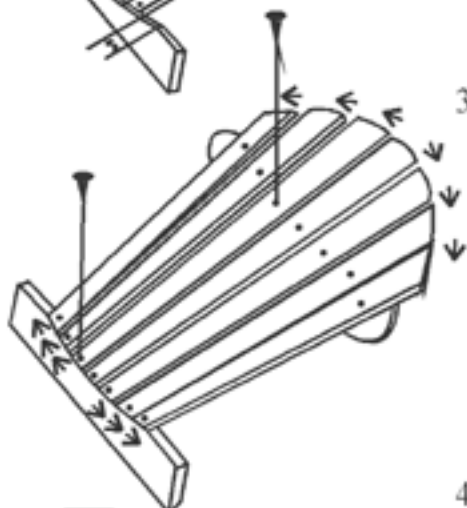
- Attach the bottom of the struts to the insides of the Sides with 1 plated screw. (do not apply any glue to this joint yet.)

Visser les deux supports avec vis, à l'arrière des côtés.



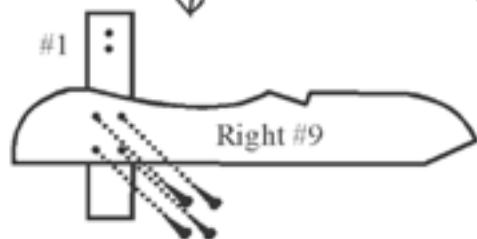
2. Push all the Slats together so that there is even spacing on each side. Screw the centre Slat down using two screws.

Mettre toutes les lames ensemble de façon que l'espacement soit égal. Visser la lame centrale en se servant des deux vis.



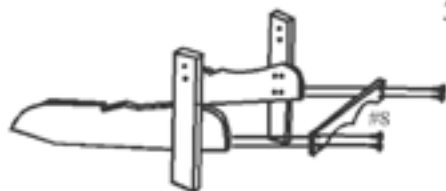
3. Space slats out evenly from the centre attached slat so that the shortest outside slat is even with the ends of the curved back supports, and then attach.

Espacer les lames à intervalles réguliers de sorte que la plus courte de l'extérieur est alignée aux bouts des supports circulaires. Attacher-les.



4. Attach Legs (#1) to Sides (#9) using 4 plated screws. (Line up pencil marks) Sides are marked left and right.

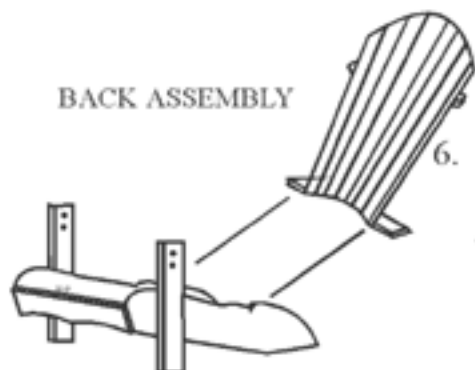
Joindre les pieds (#1) aux Côtés (#9) en utilisant quatre vis. Vérifier que les traits au crayon sont alignés.



5. Attach Front Slat (#8) to the front bottom edge of the sides using 2 screws.

Joindre la lame de devant (#8) aux bords inférieurs des côtés en utilisant deux vis.

BACK ASSEMBLY



SEAT ASSEMBLY

6. Attach back assembly to seat assembly with 2 screws.

Joindre le dossier à la coupure du siège avec deux vis.







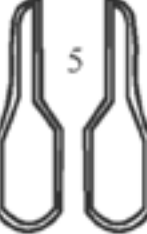
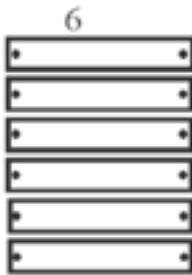


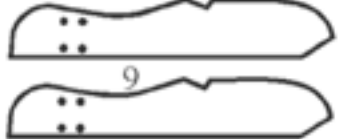


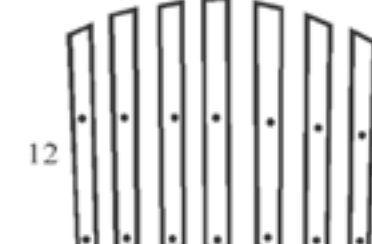


PHONE: (705) 386-0757
 FAX: (705) 386-0915
 TOLL FREE: 1-800-421-1406

BOX 509, SOUTH RIVER, ONTARIO P0A 1X0



KIT CHAIR BC201

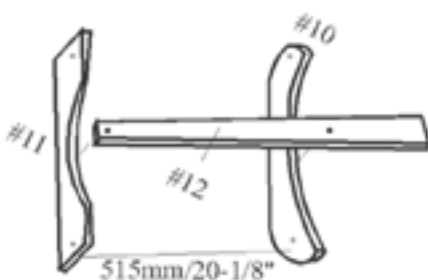
PARTS LIST

#	Description		Qty.
	1 Legs	Pieds	2
	2 Triangles		2
	3 Arm Support	Soutiens du bras	2
	4 Struts	Supports	2
	5 Arms	Bras	2
	6 Seat Slats	Lames du siège	6
	7 Comfort Slat	Lame Circulaire du siège	1
	8 Front Slat	Lame du devant	1
	9 Sides	Côtés	2
	10 Top Back Support	Support supérieurs du dossier	1
	11 Bottom Back Support	Support inférieurs du dossier	1
	12 Back Slats	Lames du dossier	7
	13 Plated Screws	vis	68
	14 Additional Arm Support	Soutiens de bras plus	1

REMEMBER TO USE WOOD GLUE ON ALL JOINTS

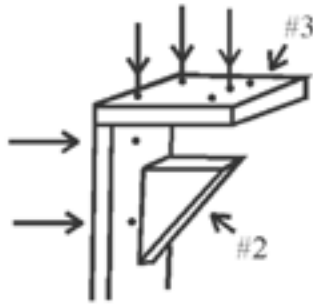
Directions Mode d'emploi

- 1) Set Bottom Back Support (#11) and Top Back Support (#10) on a flat surface with curved side up. Arrange the 7 Back Slats (#12) (with the longest in the centre) on the supports.



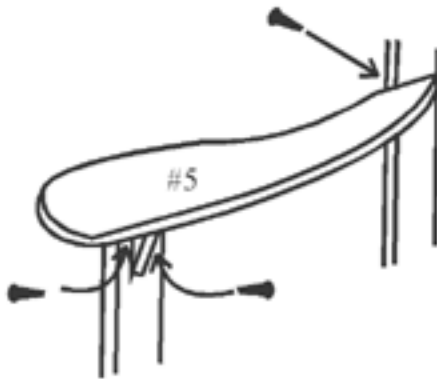
Mettre les supports du dossier (#11) et (#10) sur une surface plate en vérifiant que les côtés circulaires sont en haut. Arranger les sept lames du dossier (#12) sur les supports de sorte que les plus longues sont au milieu.

- Attach Arm Supports (#3) to the top of the Legs (#1) with 2 screws. push the triangles (#2) into the right angle corner and attach with 2 screws. Attach the Triangle to underside of the Arm Support with a screw.



Joindre les deux soutiens de bras (accoudoirs) (#3) à la partie supérieure des pieds (#1) avec 2 vis. Joindre les parties triangulaires (#2) aux pieds en se servant de deux vis, et au dessous des accoudoirs avec un vis. Vérifier que les trous du triangle et ceux du pied sont alignés.

- Attach the Arm (#5) to the rear Strut with a plated screw and to the Arm Support with 2 plated screws through the underside.



En utilisant deux vis, visser l'accoudoir (#5) au soutien. Vérifier que la coupure est tout à fait contre le support. Joindre l'arrière de l'accoudoir au support avec un vis cadmium. S'asseoir dans le fauteuil.

- Place your chair on a flat surface and make sure it sits flat on all 4 legs. Install the remaining screws in the bottom of the struts. If it doesn't sit flat, remove the single screw holding the bottom of the strut and move the strut up or down slightly to compensate, glue and re-attach.

BC201 MODIFICATION

- Attach additional arm support (#14) with four screws

YOU'RE DONE, TRY IT OUT!

