

# **Bentley All Wood**

## **Assembly Instructions**

# **STOP!**

**Please read the following important information!**

For questions on assembly or parts, **DO NOT RETURN** product to the store. Contact the experts at **Elite Products** by calling **TOLL FREE.**

# **1-800-338-8667**

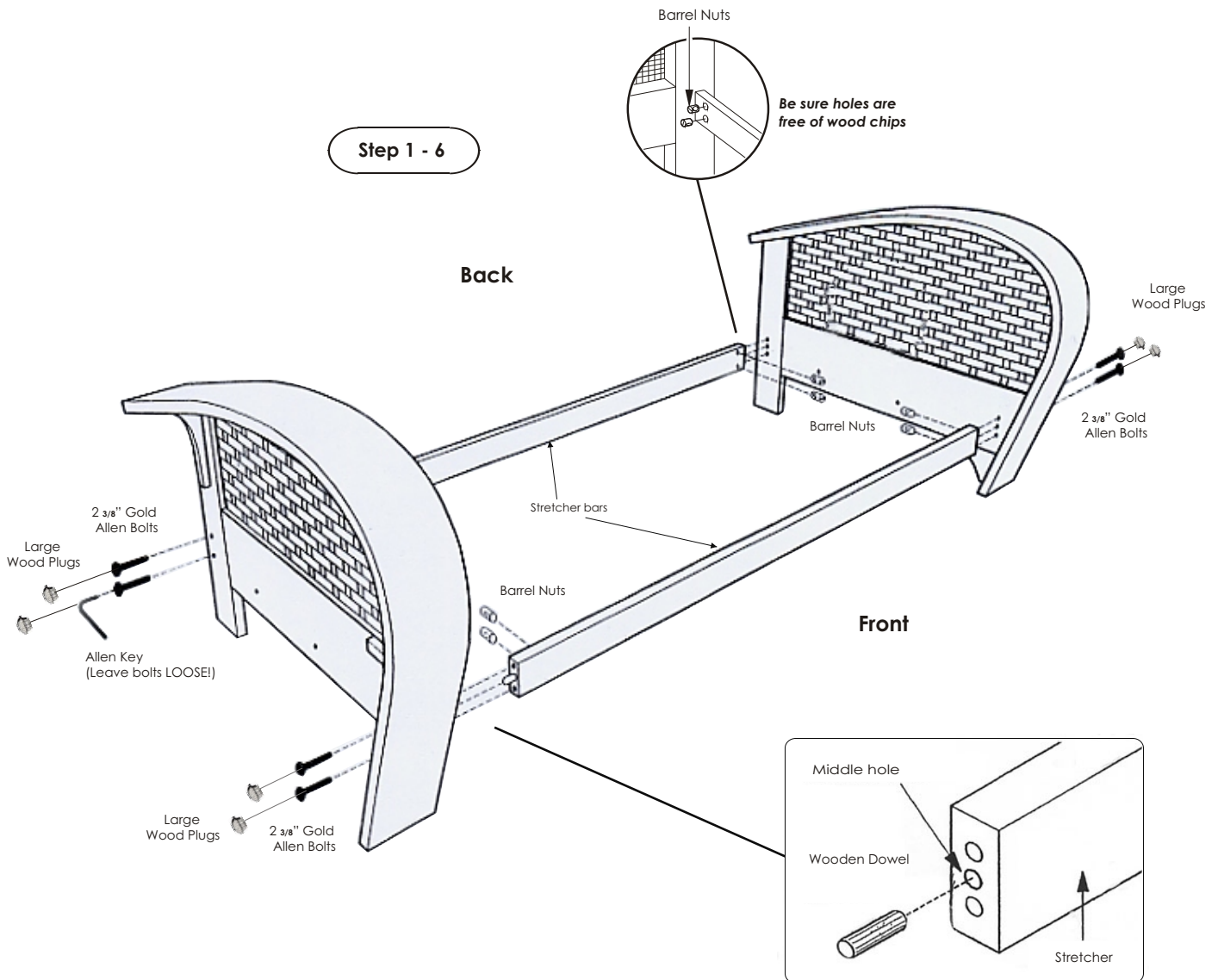
**Monday -Friday 8am-4pm (Pacific Standard Time)**

**elite**<sup>™</sup>  
CONVERTIBLES

By Elite Products

(Please keep this for future reference)

## Arms and Stretcher Assembly.

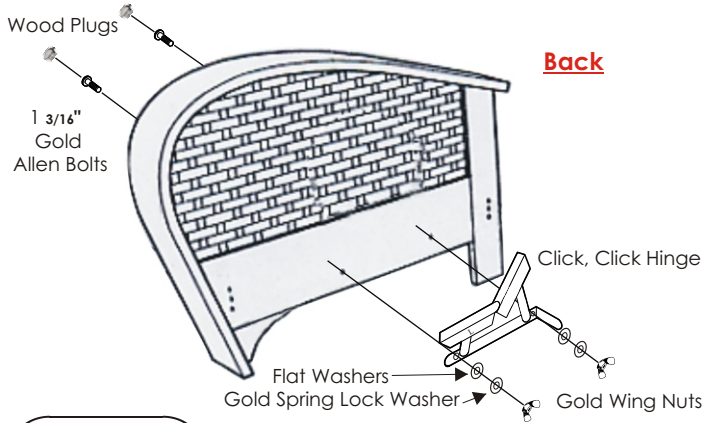


Please read all the instructions prior to assembly.

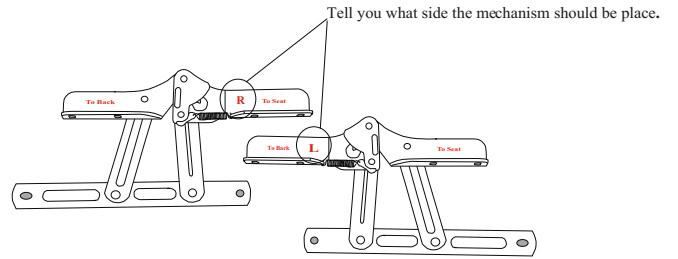
1. Attach stretcher bars to the arms using (2 qty.) Gold Allen bolts, Barrel nuts & 1 Wooden dowel for each corner.
2. The stretcher bar holes should face towards inside of the frame.
3. Insert and tap 1 Qty. Wood dowel into the center hole of each stretcher, located on the ends.
4. Insert the barrel nuts into the holes with the screwdriver slots facing out.
5. Slide 1/4" x 2 3/8" Gold Allen bolts through holes in front legs of the arms and screw into barrel nuts.
6. Slide 1/4" x 2 3/8" Gold Allen bolts through holes in back legs of the arms and screw into barrel nuts.

**Note: Overhang on arm top should be facing outward**

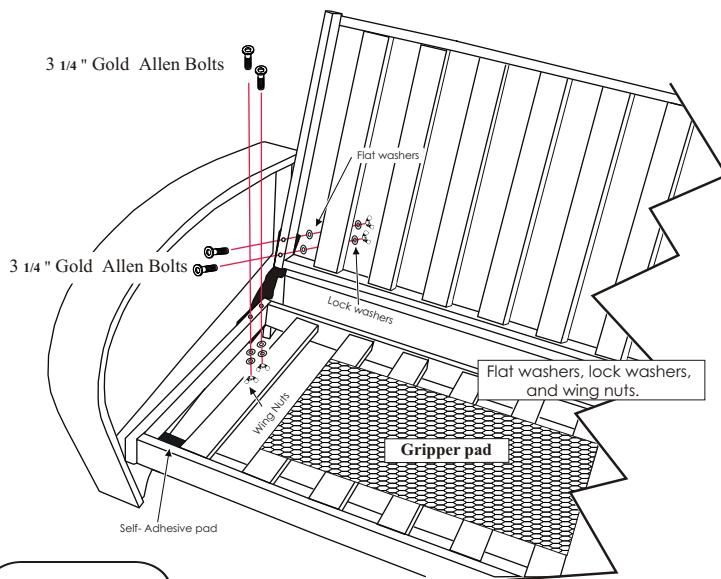
## Assemble Hinge, Seat, and Deck.



Step 7



- Secure hinges to arms using (2 qty.) 1/4" x 1 3/16" gold allen bolts, (2 qty.) flat washers, (2 qty.) gold spring lock washers, and (2qty.) wing nuts on each arm. Position the hinges (using the holes in the arms) more towards the back of the frame. **Now Tighten hinge bolts to arms.**
- Install wood seat to hinge, using 1/4"x 3 1/4" gold allen bolts , flat washers, lock washers and wing nuts for each side. Repeat process for wood back installation. **Now Completely Tighten all hardware.** Insert and tap (6 qty.) large wood plugs in holes of each arm.

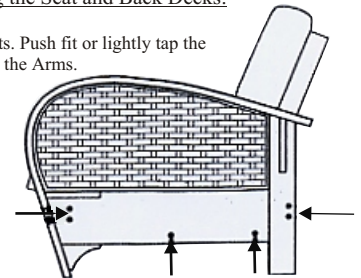


Step 8

### Fit Wood Buttons into Bolt holes.

After assembling the Seat and Back Decks:

Tighten all the Bolts. Push fit or lightly tap the Wood Buttons into the Arms.



Your futon is now assembled; Gripper, place gripper on wood seat prior to putting mattress in place.

### IMPORTANT!!!

Always operate sofa sleeper mechanism from front center of seat. See page 5 Operating Instructions

# Bentley "All Wood" Assembly Instructions

For questions on assembly or parts, **DO NOT RETURN** this product to the store.  
Contact the experts at Elite Products by calling **TOLL FREE 1-800-338-8667**

## Parts List *Wood Components and Hardware*

Please check parts list for correct hardware count. If the futon arms came in a separate box some hardware may be packed inside. The quantities listed are the minimum required, **you may receive extra hardware.**

### Arms Hardware :



Allen Key x 1 piece



1/4" x 2 3/8" Gold Allen Bolts x 8 pieces



1/4" x 1 3/16" Gold Allen Bolts x 4 pieces



Wood Buttons Large x 12 pieces



Wooden Dowel x 4 Pieces



Gold Wing Nuts x 4 pieces



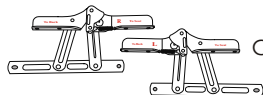
Gold Flat Washers x 4 pieces



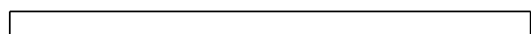
Gold Spring Lock Washers x 4 pieces



Barrel Nuts x 8 pieces

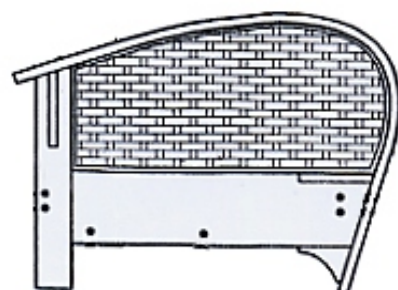


Click, Click Hinge (1 left, 1 right)



Stretchers Bar x 2 pieces

Arms x 2 pieces



Left Arm facing  
Outside frame

### Seat and Back Hardware :



Wood Seat x1 piece



Wood Back x1 piece



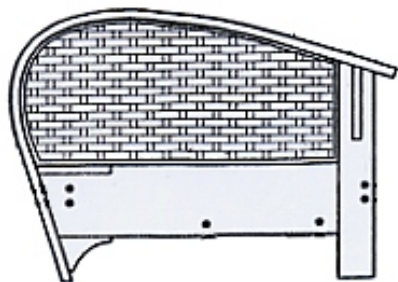
1/4" x 3 1/4" Gold Allen Bolts x 8 pieces



Gold Flat Washers x 8 pieces



Gold Wing Nuts x 8 pieces



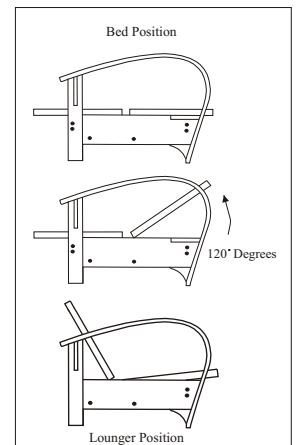
Right Arm facing  
Outside frame

# IMPORTANT!! IMPORTANT!!

## Do Not Operate Click- Click Hinges Until You Read These Simple Operations!!

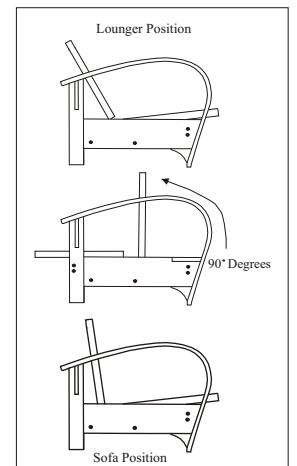
### Step #1 Bed to lounger position.

Pull up gently on the **center** of the seat to the point. (Approx. 120 degrees) where the hinges click on both sides. **IMPORTANT!** You must hear the hinges click on both sides. Then bring (push down) the seat down across the front stretcher bar. Now, the futon is in lounger position.



### Step #2 Lounger to sofa position.

Pull up gently on the **center** of the seat to the point (approx. 90 degrees) until you hear a single click on both hinges. **IMPORTANT!** You must hear the hinges click on both sides. Then bring (push down) the seat down across the front stretcher. Now, the futon is in sofa position.



### Step #3 Sofa to bed position.

Pull up gently on the **center** of the seat to a point (approx. 75 degrees) until you hear a single click on both hinges. **IMPORTANT!** You must hear the hinges click on both sides. Then bring (push down) the seat down across the front stretcher bar. Now the futon is in bed position.

