

Hermosa All Wood

Assembly Instructions

STOP!

Please read the following important information!

For questions on assembly or parts, **DO NOT RETURN** product to the store. Contact the experts at **Elite Products** by calling **TOLL FREE.**

1-800-656-6730

Monday -Friday 8am-4pm (Pacific Standard Time)

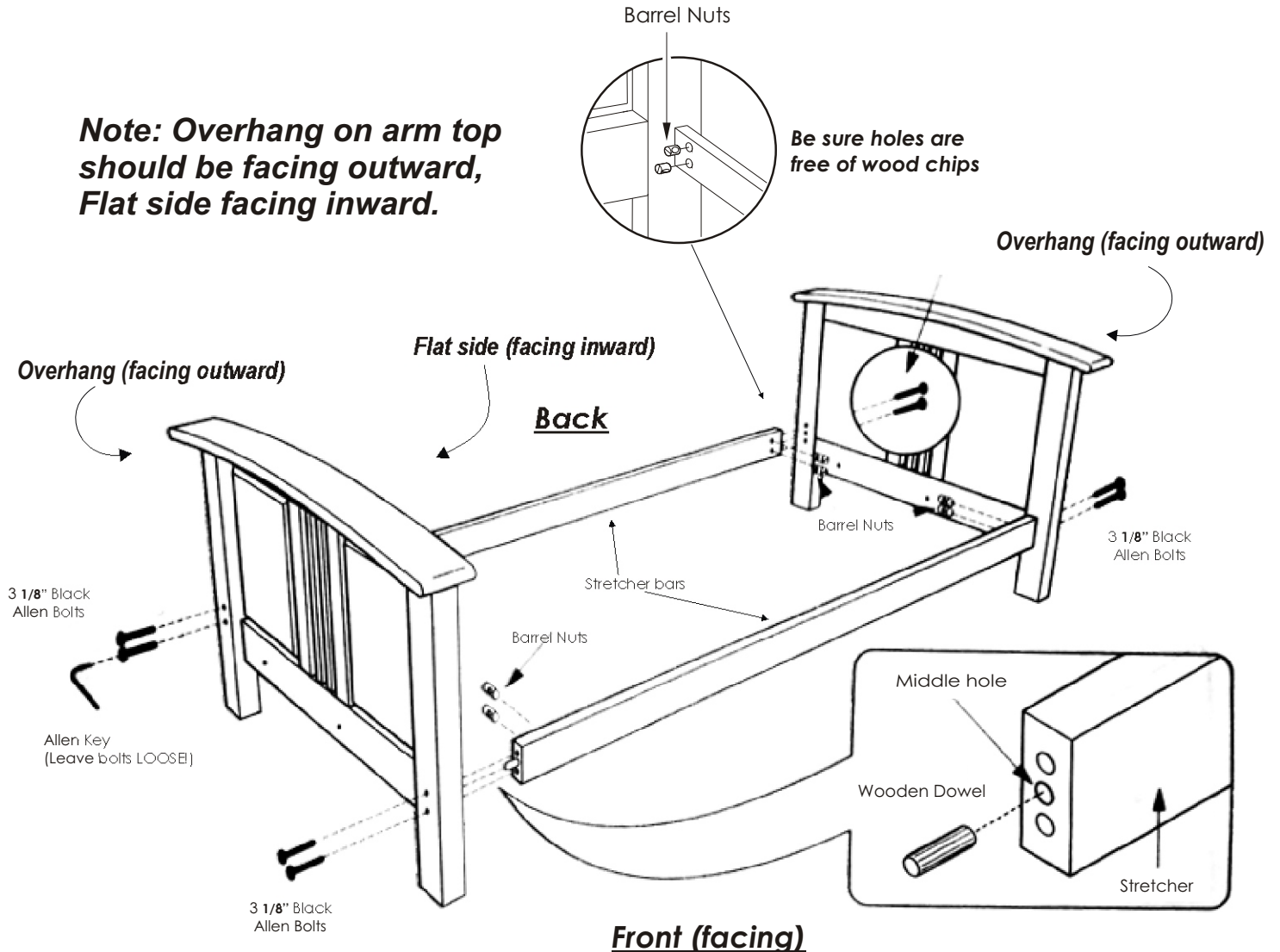


(Please keep this for future reference)

WARNING

THIS FUTON IS MADE FOR SITTING & SLEEPING ONLY. STANDING OR JUMPING ON FRAME MAY CAUSE DAMAGE & VOID WARRANTY.

Arms and Stretcher Assembly.



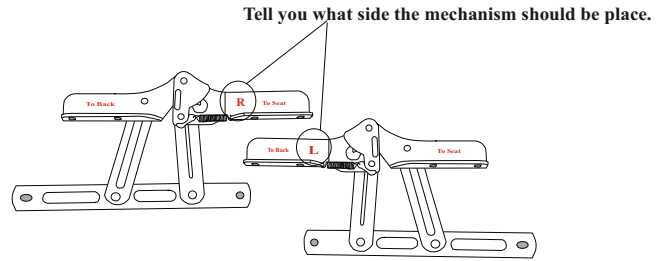
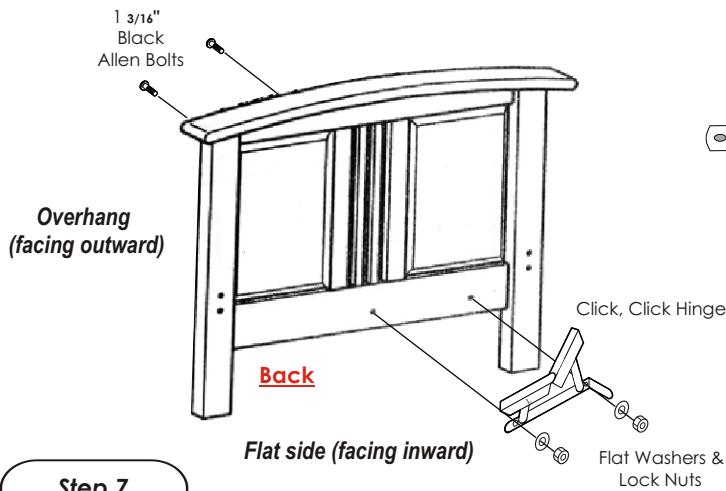
Step 1 - 6

Please read all the instructions prior to assembly.

1. Attach stretcher bars to the arms using (2 qty.) Black Allen bolts, Barrel nuts & 1 Wooden dowel for each corner.
2. The stretcher bar holes should face towards inside of the frame.
3. Insert and tap 1 Qty. Wood dowel into the center hole of each stretcher, located on the ends.
4. Insert the barrel nuts into the holes with the screwdriver slots facing out.
5. Slide 3 1/8" x 1/4" Black Allen bolts through holes in front legs of the arms and screw into barrel nuts.
6. Slide 3 1/8" x 1/4" Black Allen bolts through holes in back legs of the arms and screw into barrel nuts.

Note: Overhang on arm top should be facing outward

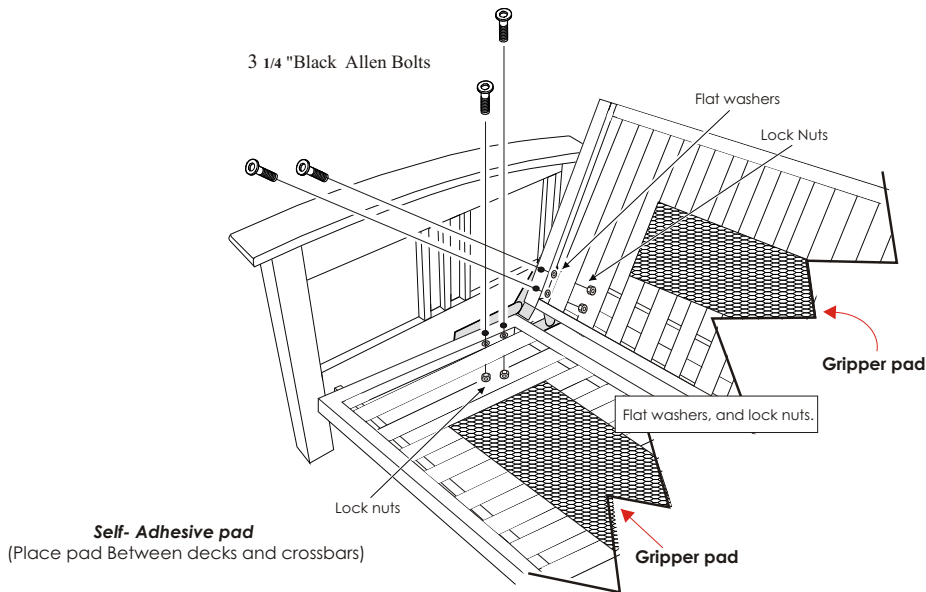
Assemble Hinge, Seat, and Deck.



Step 7

Note: Completely tighten all hinge hardware to arms.

7. Secure hinges to arms using (2 qty.) 1 3/16" x 1/4" black allen bolts, (2 qty.) flat washers, and (2 qty.) Locking hex nuts on each arm. Position the hinges (using the holes in the arms) more towards the back of the frame. **Now Tighten hinge bolts to arms.**
8. Install wood seat to hinge, using 3 1/4" x 1/4" black allen bolts, flat washers, lock nuts for each side. Repeat process for wood back installation. **Now Completely Tighten all hardware.**



Step 8

Note: Completely tighten all hardware.

Your futon is now assembled; Gripper, place gripper on wood seat prior to putting mattress in place.

IMPORTANT!!!

Always operate sofa sleeper mechanism from front center of seat. See page 5 Operating Instructions

Hermosa "All Wood" Assembly Instructions

For questions on assembly or parts, **DO NOT RETURN** this product to the store.
 Contact the experts at Elite Products by calling **TOLL FREE 1-800-656-6730**

Parts List *Wood Components and Hardware*

Please check parts list for correct hardware count. If the futon arms came in a separate box some hardware may be packed inside. The quantities listed are the minimum required, **you may receive extra hardware.**

Arms Hardware :



Allen Key x 1 piece



3 1/8" x 1/4" Black Allen Bolts x 8 pieces



1 3/16" x 1/4" Black Allen Bolts x 4 pieces



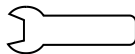
Barrel Nuts x 8 pieces



Lock Nuts x 4 pieces



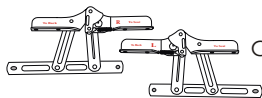
Black Flat Washers x 4 pieces



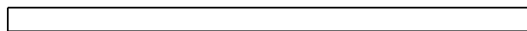
Wrench x 1 piece



Wooden Dowel x 4 Pieces

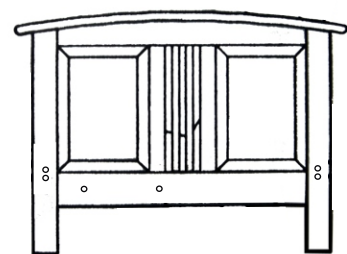


Click, Click Hinge (1 left, 1 right)



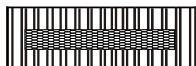
Stretcher Bars x 2 pieces

Arms x 2 pieces



Left Arm facing
Outside frame

Seat and Back Hardware :



Wood Seat x1 piece



Wood Back x1 piece



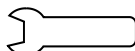
1/4" x 3 1/4" Black Allen Bolts x 8 pieces



Flat Washers x 8 pieces



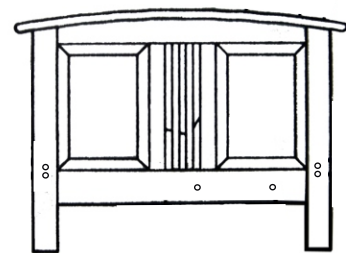
Lock Nuts x 8 pieces



Wrench x 1 piece



Allen Key x 1 piece



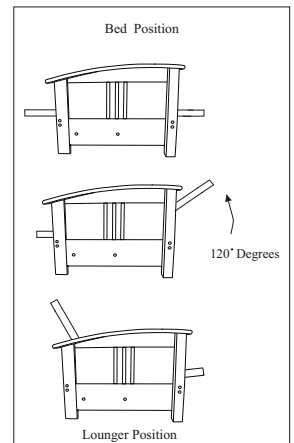
Right Arm facing
Outside frame

IMPORTANT!! IMPORTANT!!

Do Not Operate Click- Click Hinges Until You Read These Simple Operations!!

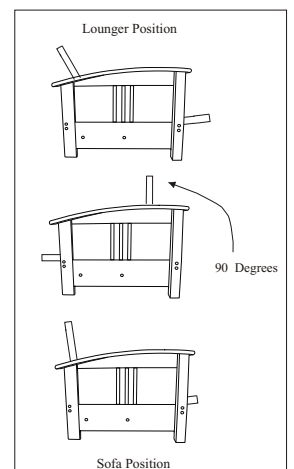
Step #1 Bed to lounger position.

Pull up gently on the **center** of the seat to the point. (Approx. 120 degrees) where the hinges click on both sides. **IMPORTANT!** You must hear the hinges click on both sides. Then bring (push down) the seat down across the front stretcher bar. Now, the futon is in lounger position.



Step #2 Lounger to sofa position.

Pull up gently on the **center** of the seat to the point (approx. 90 degrees) until you hear a single click on both hinges. **IMPORTANT!** You must hear the hinges click on both sides. Then bring (push down) the seat down across the front stretcher. Now, the futon is in sofa position.



Step #3 Sofa to bed position.

Pull up gently on the **center** of the seat to a point (approx. 75 degrees) until you hear a single click on both hinges. **IMPORTANT!** You must hear the hinges click on both sides. Then bring (push down) the seat down across the front stretcher bar. Now the futon is in bed position.

