

Mali Flex Silver

Assembly Instructions

STOP!

Please read the following important information!

For questions on assembly or parts, **DO NOT RETURN** product to the store. Contact the experts at **Elite Products** by calling **TOLL FREE.**

1-800-338-8667

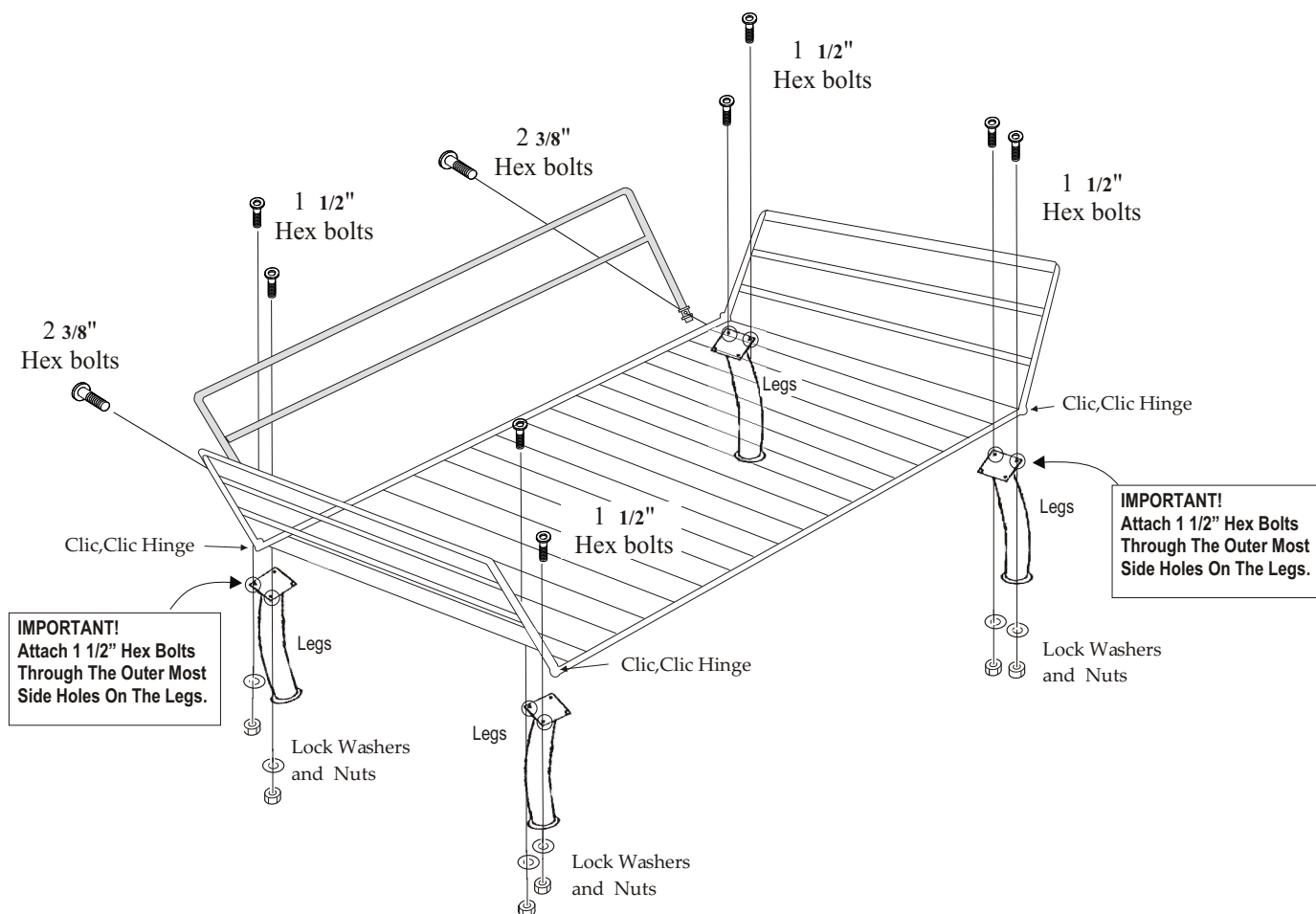
Monday -Friday 8am-4pm (Pacific Standard Time)

elite[™]
CONVERTIBLES

By Elite Products

(Please keep this for future reference)

For questions on assembly or parts, **DO NOT RETURN** this product to the store.
 Contact the experts at Elite Products by calling **TOLL FREE 1-800-338-8667**

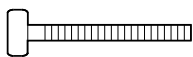


Please check parts list for correct hardware count. If the futon arms came in a separate box some hardware may be packed inside. The quantities listed are the minimum required, **you may receive extra hardware.**

Components and Hardware



Silver Metal Seat w/ Wood slats, and clic clic hinge. (1Psc)



5/16" x 2 3/8" Silver Hex Bolts x 2 pieces



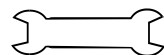
5/16" x 1 1/2" Silver Hex Bolts x 8 pieces



5/16" Lock nuts x 10 pieces



Spring Lock Washer x 10 pieces



5/16" Wrench x 2 pieces

