

Portofino All Wood Assembly Instructions

STOP!

Please read the following important information!

For questions on assembly or parts, DO NOT RETURN product to the store. Contact the experts at Elite Products by calling TOLL FREE.

1-800-338-8667

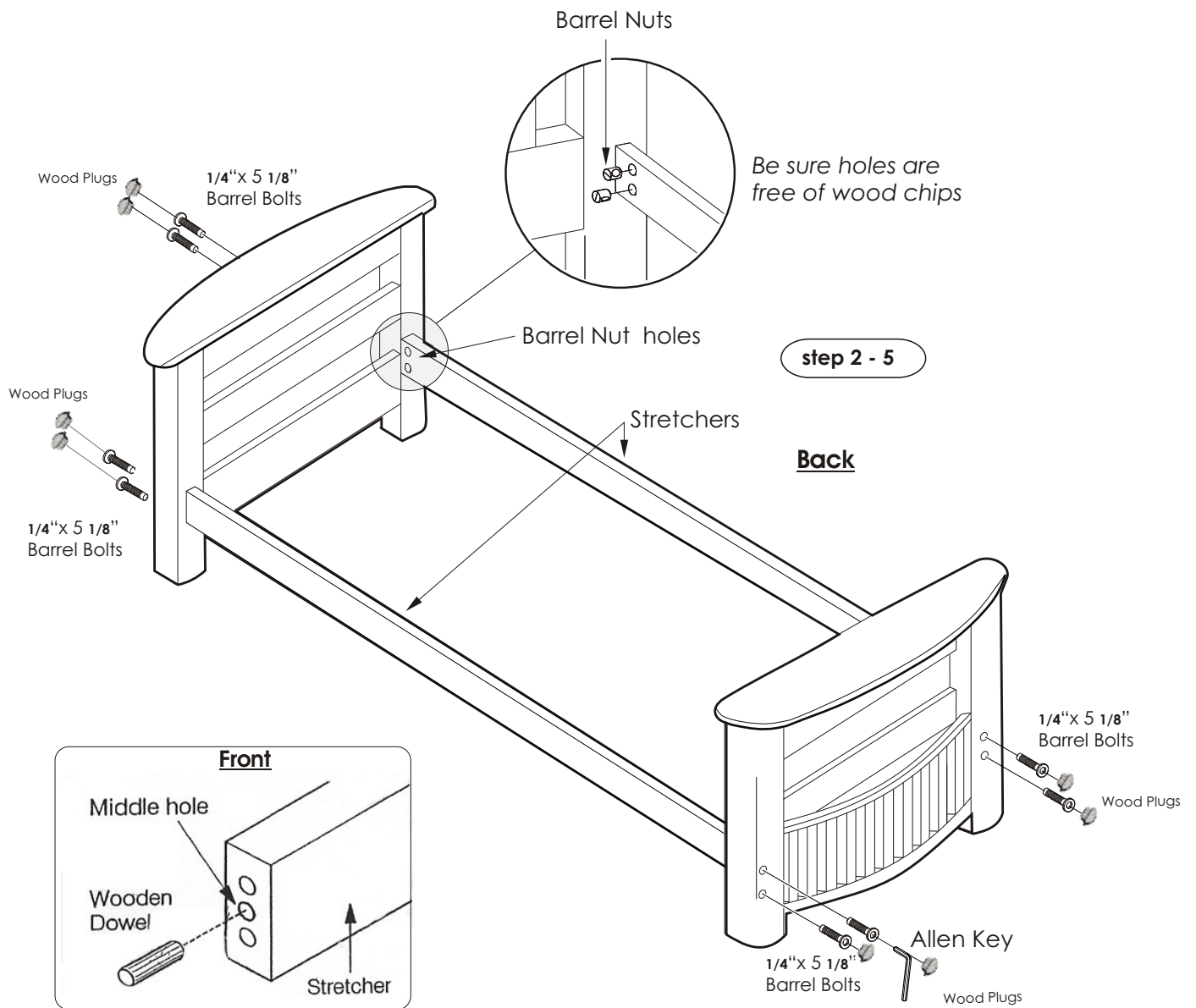
Monday -Friday 8am-4pm (Pacific Standard Time)

eliteTM
CONVERTIBLES

By Elite Products

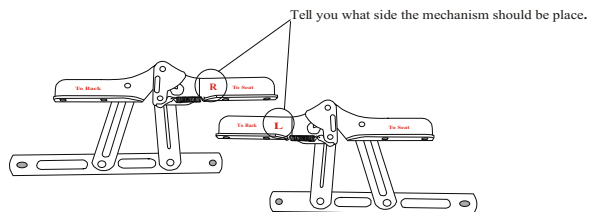
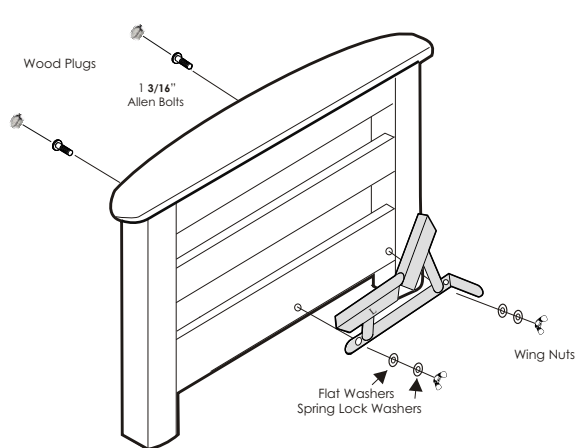
(Please keep this for future reference)

Arms and Stretcher Assembly.

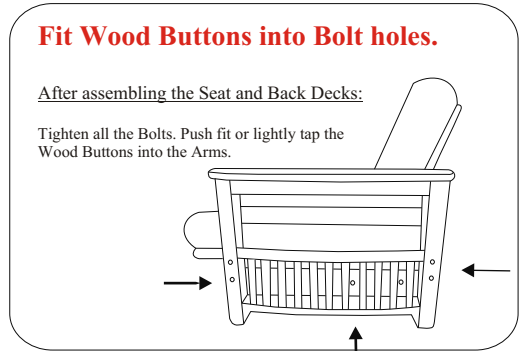
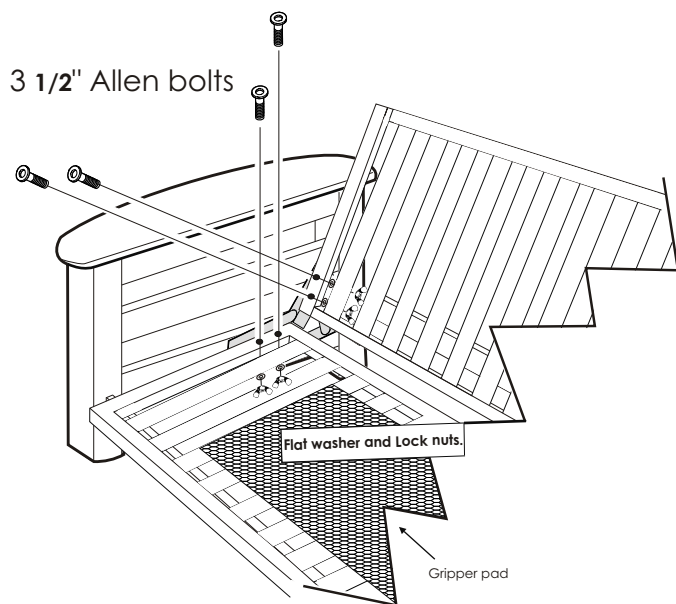


1. Please read all the instructions prior to assembly.
2. Attach stretcher bars to the arms using (2) 1/4" x 5 1/8" barrel bolts, nuts and 1 Wooden dowel for each corner.
3. Holes for the barrel nuts (on stretcher bars) should face towards inside of the frame.
4. Insert and tap 1Qty. Wooden dowel into center hole of each stretcher bar, located on the ends.
5. Insert the barrel nuts into the holes with the screwdriver slots facing out
6. Slide 1/4" x 5 1/8" barrel bolts through holes in front and back legs of the arms and screw into barrel nuts.

Note: Overhang on Arm Top must be facing outward



6. Secure hinges to arms using 1 3/16 " allen bolts, flat washers, spring washers, and wing nuts. Position the hinges (using the holes in the arms) more towards the rear of the frame. **Important: Tighten all hinges hardware to arms.**
7. Install wood seat to hinge, using 3 1/2 " allen bolt, flat washers, and wing nuts. Repeat process for wood back installation. **Tighten all hardware completely.** Insert and tap wood plugs in holes after tightening hardware.



Your futon is now assembled; Gripper, place gripper on wood seat prior to putting mattress in place.

IMPORTANT!!!

Always operate sofa sleeper mechanism from front center of seat. See page 5 Operating Instructions









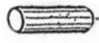
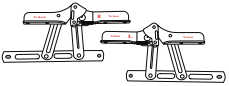

Portofino Assembly Instructions Sheet

For questions on assembly or parts, **DO NOT RETURN** this product to the store.
 Contact experts at Elite Products by calling **TOLL FREE 1-800-338-8667**

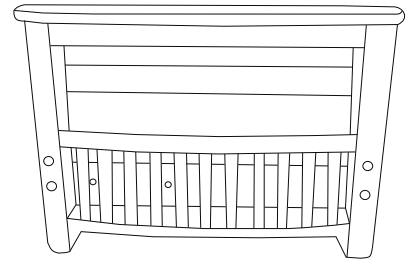
Parts List

Please check parts list for correct hardware count. If the futon arms came in a separate box some hardware may be packed inside. The quantities listed are the minimum required, **you may receive extra hardware.**

Arms/Crossbar Components and Hardware



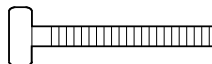



-  Allen Key x 1 piece 1/4"
-  1/4" x 5 1/8" Barrel Bolts x 8 pieces
-  1/4" x 1 3/16" Barrel Bolts x 4 pieces
-  Barrel Nuts x 8 pieces
-  1/4" Gold Flat Washers x 4 pieces
-  1/4" Lock Washers x 4 pieces
-  1/4" Wing Nuts x 4 pieces
-  Wood Buttons Large x 8 pieces
-  Wood Dowels x 4 pieces
-  Click, Click Hinge (1 left, 1 right)
-  Stretcher Bars x 2 pieces 76"

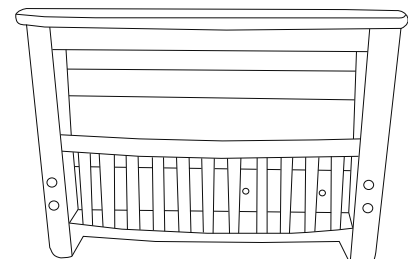
Arms x 2 pieces



Left Arm Facing

Wood Seat & Back Components and Hardware

-  Wood Seat frame/mattress support x1 piece
-  Wood Back frame/mattress support x1 piece
-  1/4" x 3 1/2" Gold Allen Bolts x 8 pieces
-  1/4" Gold Flat Washers x 8 pieces
-  1/4" Gold Wing Nuts x 8 pieces
-  Allen Key x1 piece 1/4" small



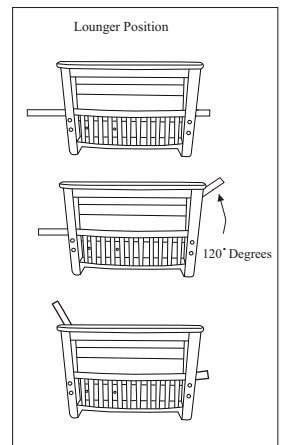
Right Arm Facing

IMPORTANT!! IMPORTANT!!

Do Not Operate Click- Click Hinges Until You Read These Simple Operations!!

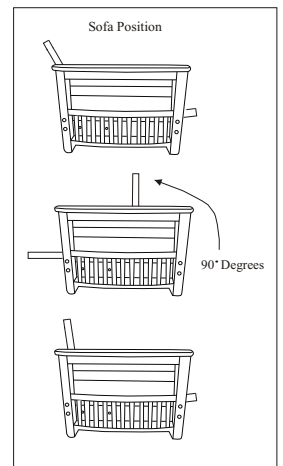
Step #1 Bed to lounge position.

Pull up gently on the **center** of the seat to the point (Approx. 120 degrees) where the hinges click on both sides. **IMPORTANT!** You must hear the hinges click on both sides. Then bring (push down) the seat down across the front stretcher bar. Now, the futon is in lounge position.



Step #2 Lounge to sofa position.

Pull up gently on the **center** of the seat to the point (approx. 90 degrees) until you hear a single click on both hinges. **IMPORTANT!** You must hear the hinges click on both sides. Then bring (push down) the seat down across the front stretcher. Now, the futon is in sofa position.



Step #3 Sofa to bed position.

Pull up gently on the **center** of the seat to a point (approx. 75 degrees) until you hear a single click on both hinges. **IMPORTANT!** You must hear the hinges click on both sides. Then bring (push down) the seat down across the front stretcher bar. Now the futon is in bed position.

