

Renaissance Sleigh

All Wood

Assembly Instructions

STOP!

Please read the following important information!

For questions on assembly or parts, DO NOT RETURN product to the store. Contact the experts at Elite Products by calling TOLL FREE.

1-800-338-8667

Monday -Friday 8am-4pm (Pacific Standard Time)

elite
CONVERTIBLES™

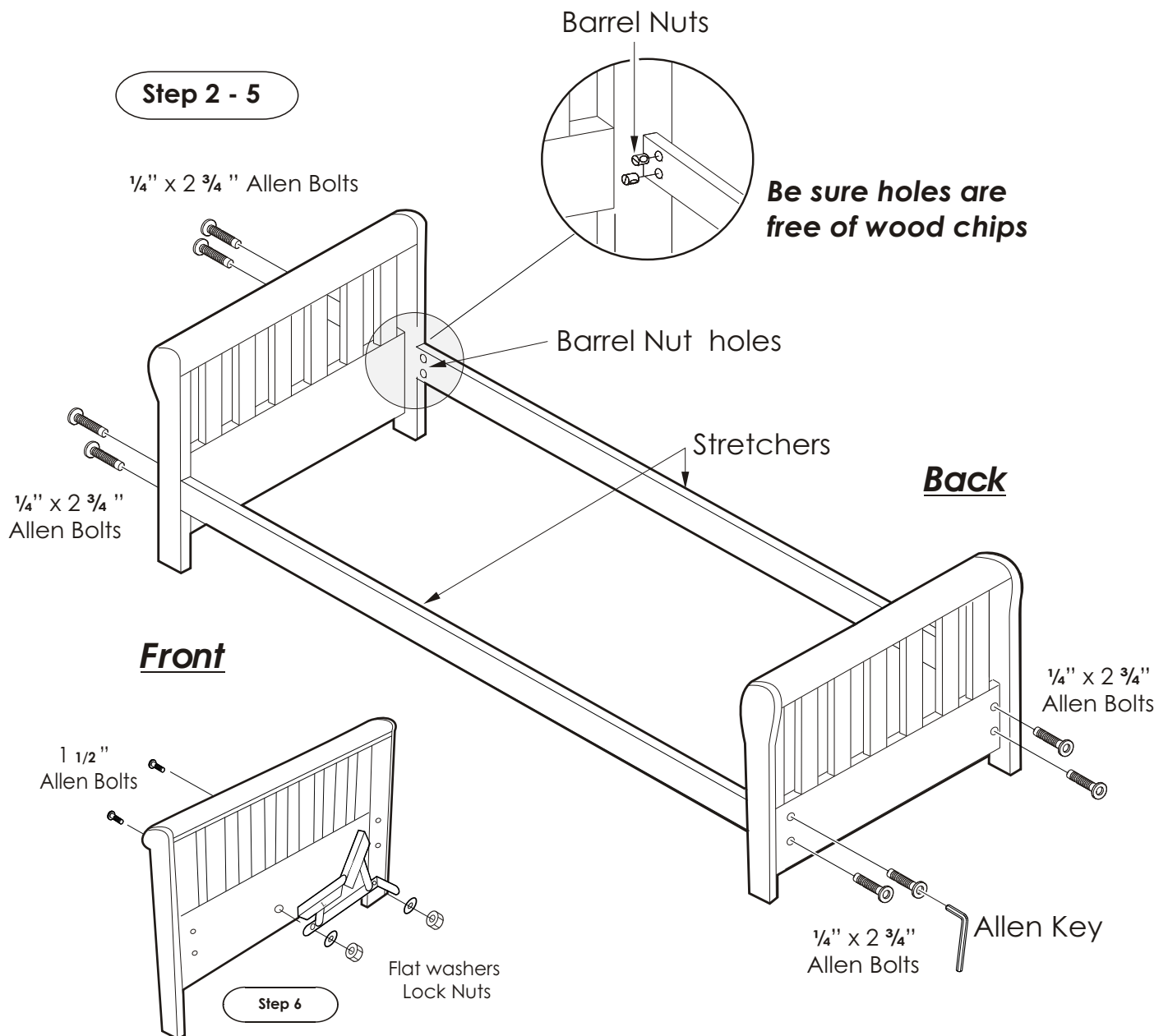
By Elite Products

(Please keep this for future reference)

Renaissance Sleigh Assembly Instruction Sheet

1. Please read all the instructions prior to assembly.
2. Attach stretcher bars to the arms using (2) $\frac{1}{4}$ " x $2\frac{3}{4}$ " allen bolts and nuts for each corner.
3. Holes for the barrel nuts (on stretcher bars) should face towards inside of the frame.
4. Insert the barrel nuts into the holes with the screwdriver slots facing out
5. Slide $\frac{1}{4}$ " x $2\frac{3}{4}$ " allen bolts through holes in front legs of the arms and screw into barrel nuts.

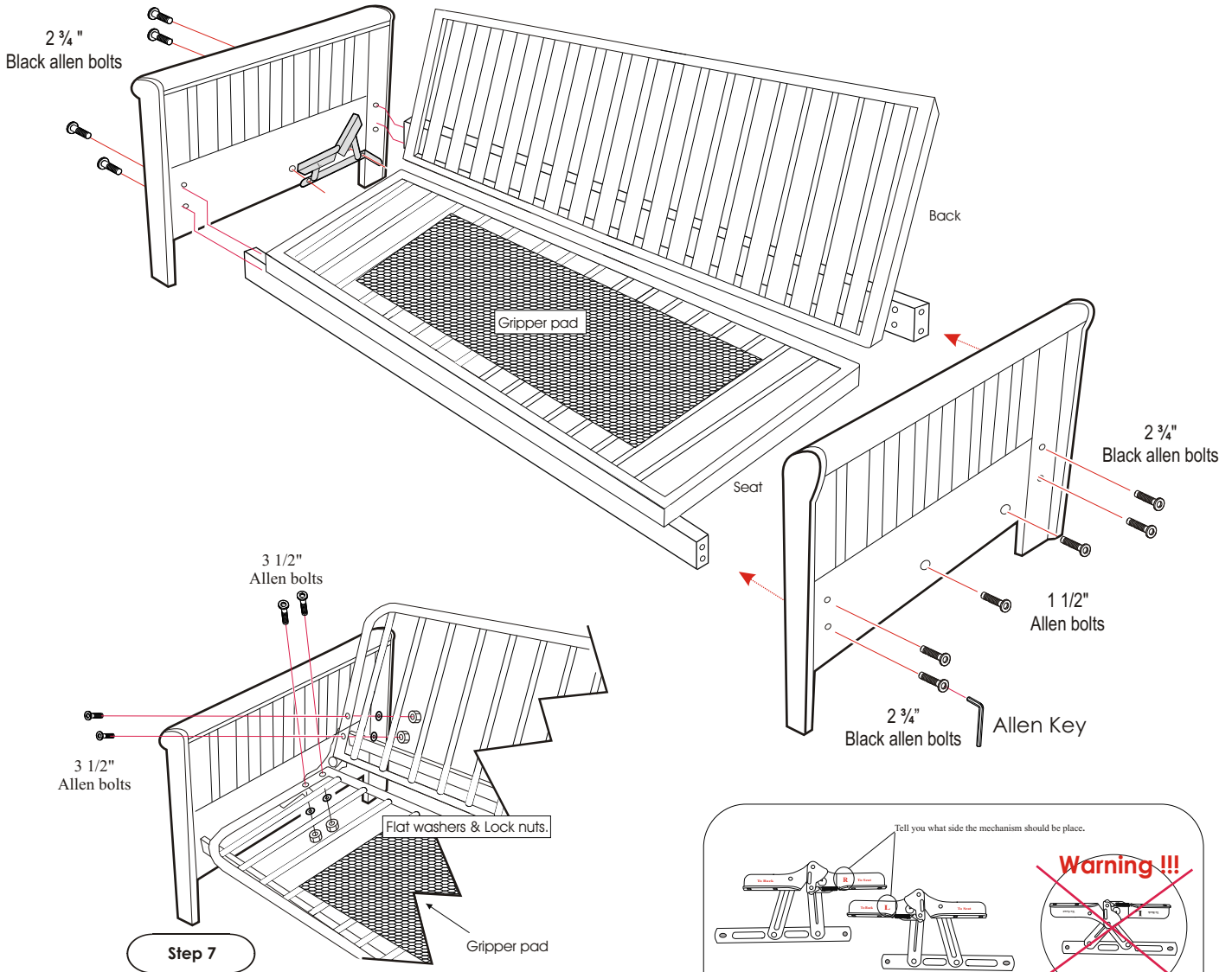
Note: Overhang on Arm Top must be facing outward



6. Secure hinges to arms using $1\frac{1}{2}$ " allen bolts, flat washers, and lock nuts. Position the hinges (using the holes in the arms) more towards the rear of the frame. **Important: Completely Tighten hinges hardware to arms.**

Assemble Seat, and Back Deck

7. Install wood seat to hinge, using 3 1/2 " allen bolts, flat washers, lock nuts. Repeat process for wood back installation. **Note: Lock nuts are nylon locking and will require wrench & allen key to tighten completely.**



Your futon is now assembled; Gripper, place gripper on wood seat prior to putting mattress in place.

IMPORTANT!!!

Always operate sofa sleeper mechanism from front center of seat. See page 5 operating instructions.

Renaissance Sleigh Assembly Instructions Sheet







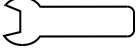
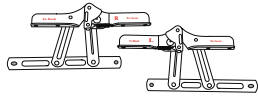
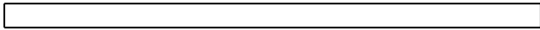
For questions on assembly or parts, **DO NOT RETURN** this product to the store.
 Contact experts at Elite Products by calling **TOLL FREE 1-800-338-8667**

Parts List

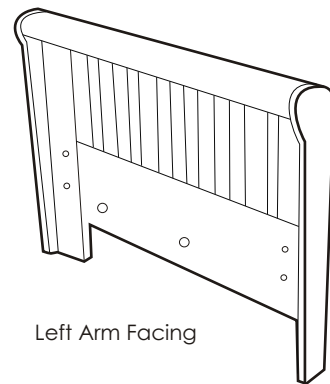
Wood Components and Hardware

Please check parts list for correct hardware count. If the futon arms came in a separate box some hardware may be packed inside. The quantities listed are the minimum required, **you may receive extra hardware.**

Arms to Stretcher Bars Components and Hardware


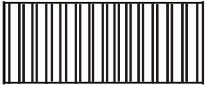
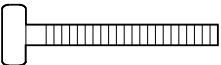



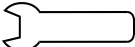
-  1/4" Small Allen Key x1 piece
-  1/4" x 2 3/4" Barrel Bolts x 8 pieces
-  1/4" x 1 1/2" Barrel Bolts x 4 pieces
-  Barrel Nuts x 8 pieces
-  Lock nuts x 4 pieces
-  Black Flat Washers x 4 pieces
-  1/4" Wrench x1 piece
-  Click, Click Hinge (1 left, 1 right)
-  76" Stretcher Bars x 2 pieces

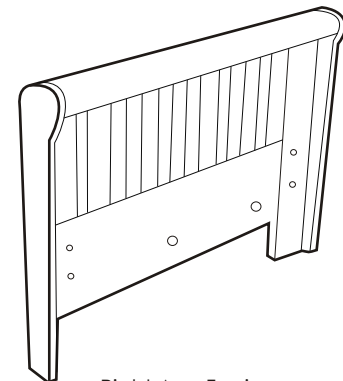
Arms x 2 pieces



Left Arm Facing

Wood Seat & Back Components and Hardware

-  Wood Seat x1 piece
-  Wood Back x1 piece
-  1/4" x 3 1/2" Black Allen Bolts x 8 pieces
-  Lock nuts x 8 pieces
-  Black Flat Washers x 8 pieces
-  1/4" Small Allen Key x1 piece
-  1/4" Wrench x1 piece



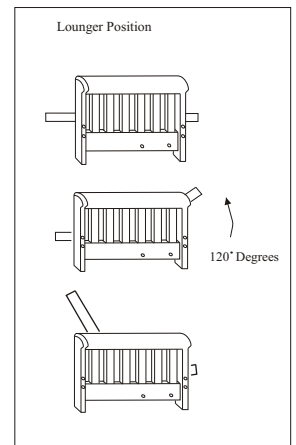
Right Arm Facing

IMPORTANT!! IMPORTANT!!

Do Not Operate Click- Click Hinges Until You Read These Simple Operations!!

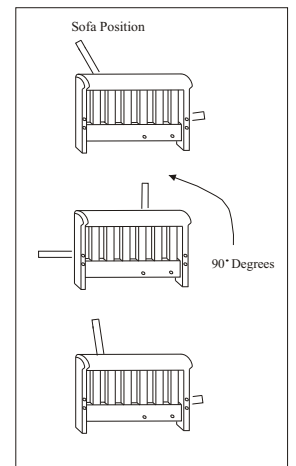
Step #1 Bed to lounger position.

Pull up gently on the **center** of the seat to the point (Approx.120 degrees) where the hinges click on both sides. **IMPORTANT!** You must hear the hinges click on both sides .Then bring (push down) the seat down across the front stretcher bar. Now, the futon is in lounger position.



Step #2 Lounger to sofa position.

Pull up gently on the **center** of the seat to the point (approx.90degrees) until you hear a single click on both hinges. **IMPORTANT!** You must hear the hinges click on both sides. Then bring (push down) the seat down across the front stretcher. Now, the futon is in sofa position.



Step #3 Sofa to bed position.

Pull up gently on the **center** of the seat to a point (approx.75 degrees) until you hear a single click on both hinges. **IMPORTANT!** You must hear the hinges click on both sides. Then bring (push down) the seat down across the front stretcher bar. Now the futon is in bed position.

