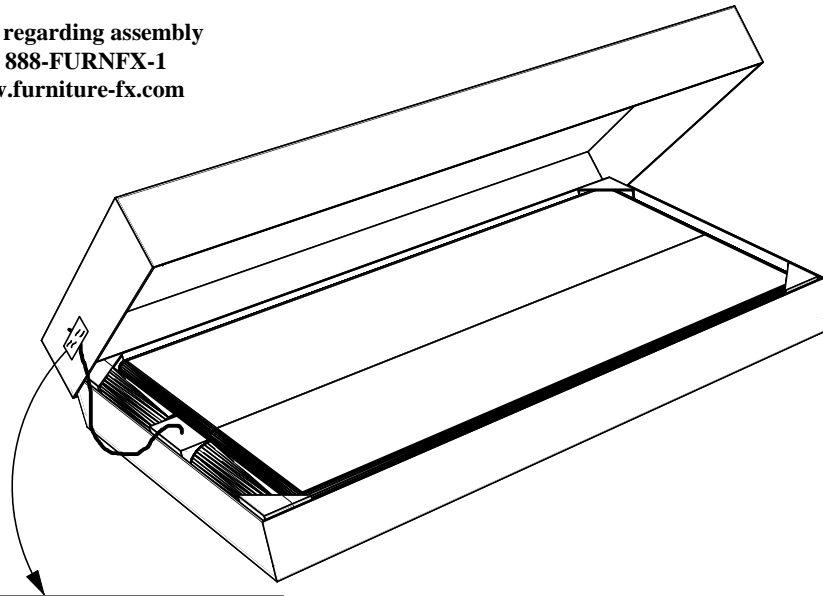
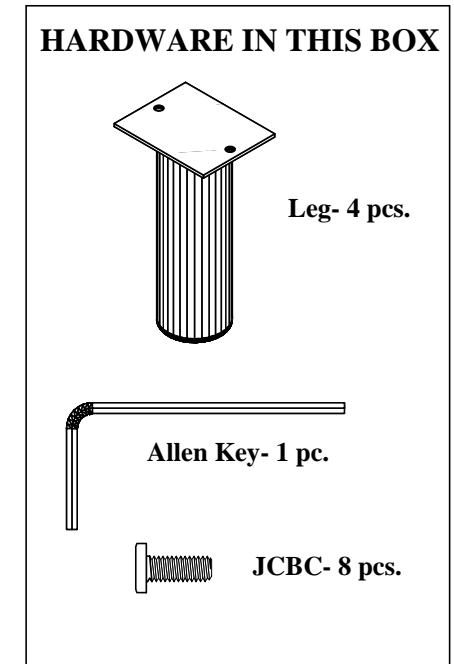
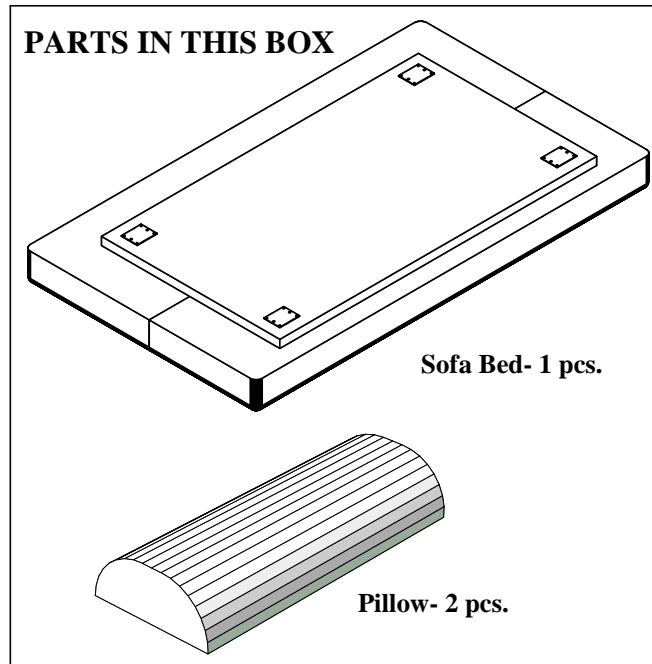


For questions regarding assembly
please call 888-FURNFX-1
or visit www.furniture-fx.com

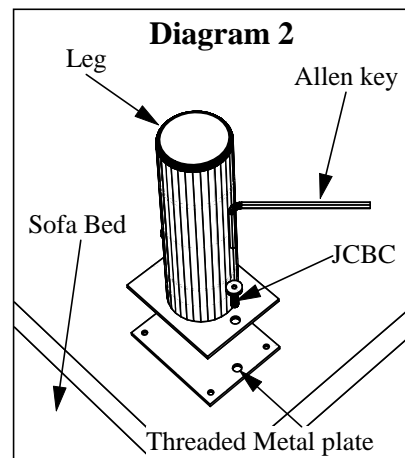
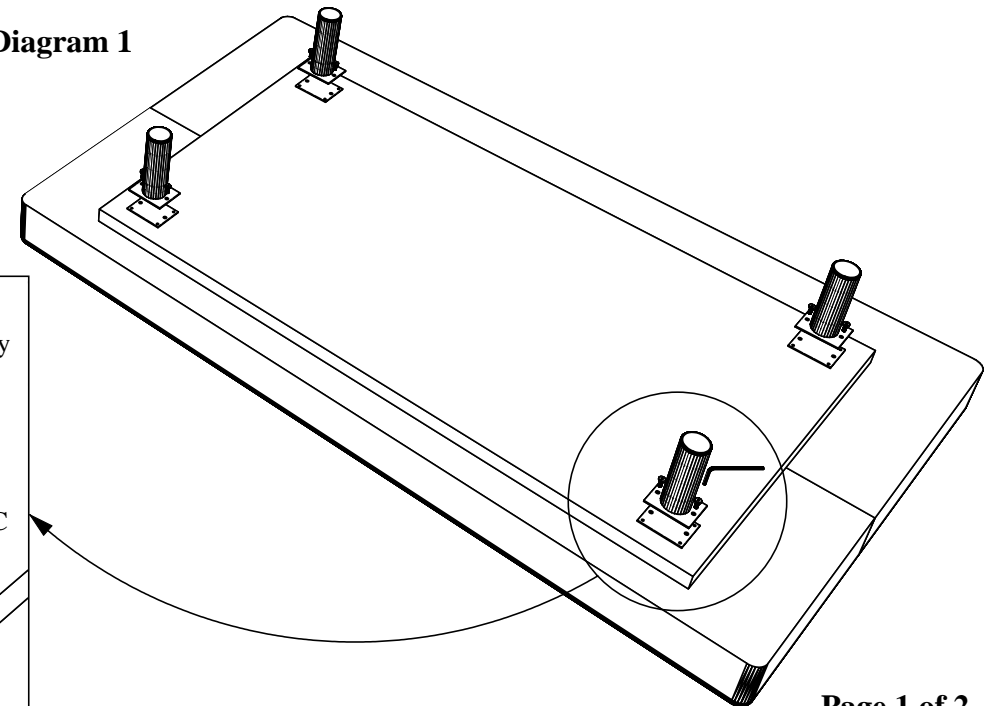


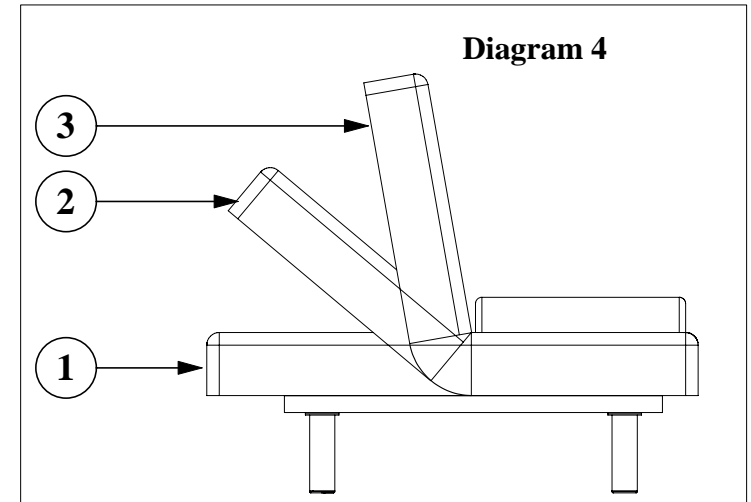
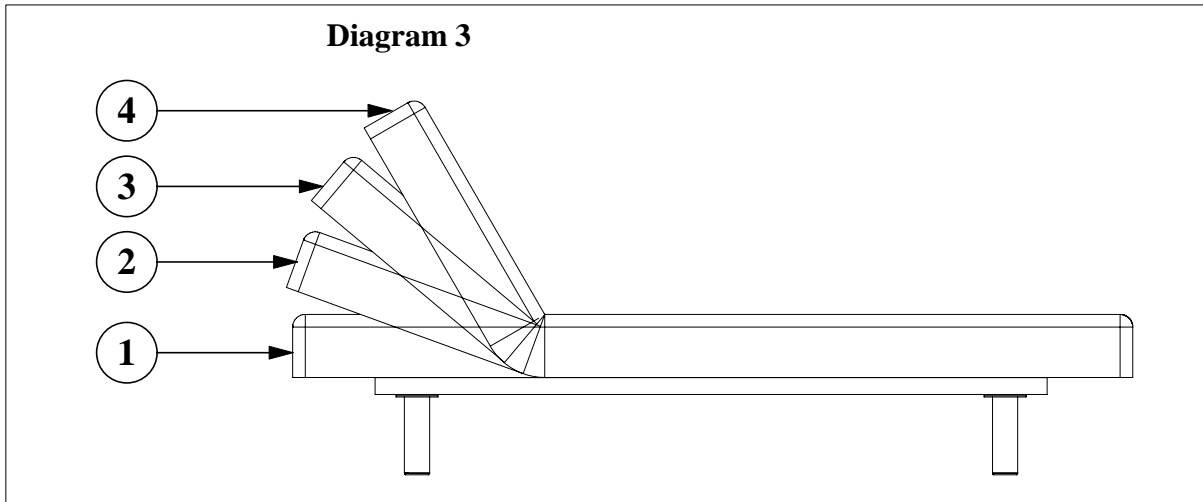
QUALITY CONTROL
This string is attached to the
~~HARDWARE PACK~~
Included inside ; a visible confirmation
of hardware being pack in this box



1. Avoid using sharp object such as a knife to cut open the interior plastic packing as you may accidentally damage the sofa fabric.
2. The sofa bed frame is pre-assembled to the sofa. Attach the four legs to the frame as shown in diagram 1.
3. Align the two JCBC Bolt on each leg with the threaded holes on the pre-fixed metal plate before tightening the bolt firmly.
4. Thread in all the bolts through the holes as shown in diagram 2. Do not over tighten.

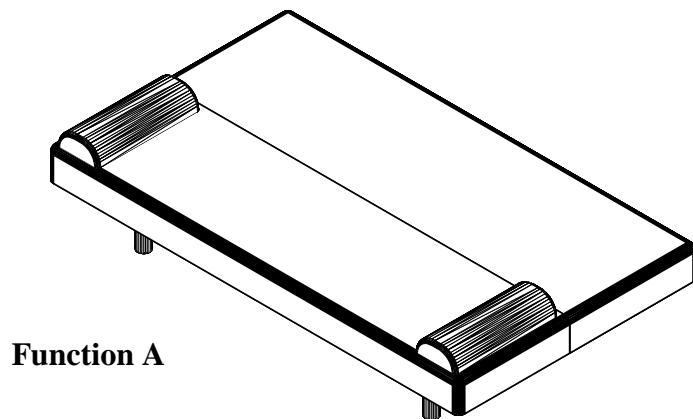
Diagram 1



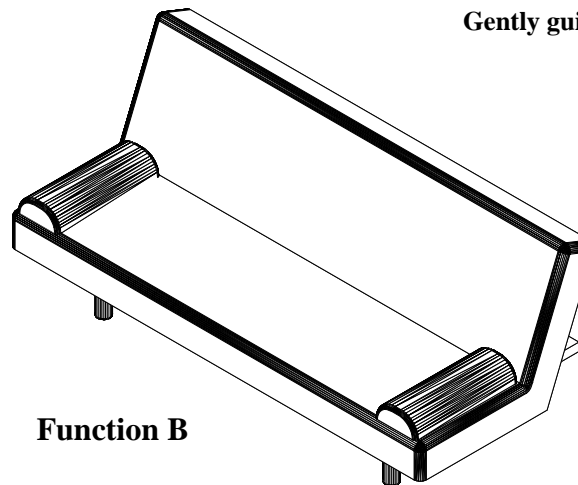


1. The sofa bed has 3 positions shown in diagram 3. Bed (1), Recline (2), Sofa (3)
2. The sofa bed has 4 lounge positions as shown in diagram 4. Bed (1), Lounge 1 (2), Lounge 2 (3), Lounge 3 (4).
3. To convert the sofa bed to its desired position stand in the middle at the back. Push the back section forward slowly to release the mechanism. Gently guide the back down to the bed position.
4. To convert the sofas to recline position stand in the middle at the back of the sofa bed and simply lift the back up to the desired position. Make sure that the two sides of the locking mechanism lock at the same angle.

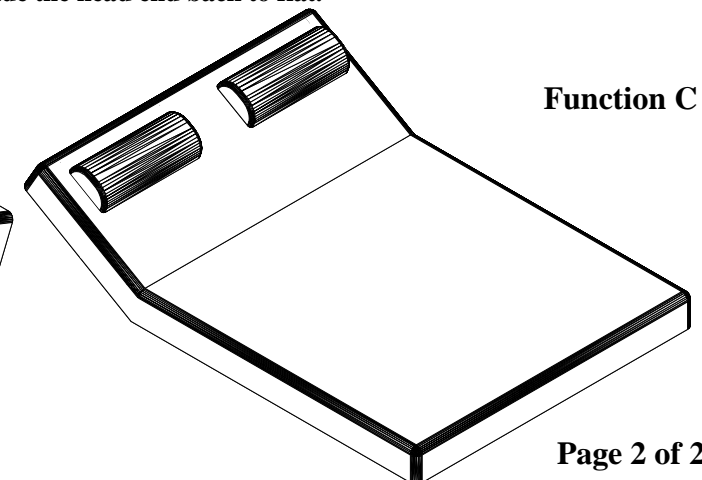
5. To return the sofa back to the sofa position, lift the back all the way to its most upright position until the final clicking position of the sofa mechanism is heard. (To repeat steps 3-5) slowly release the back of the sofa back to the bed position.
6. To place the sofa in the lounge positions. First make sure that the sofa is in the bed position. Gently lift the head end of the bed to the desired position. Make sure that the two sides of the locking mechanism lock at the same angle. To return the sofa to bed position from lounge, simply push the head end of the sofa forward until you hear a click releasing the mechanism. Gently guide the head end back to flat.



Function A



Function B



Function C