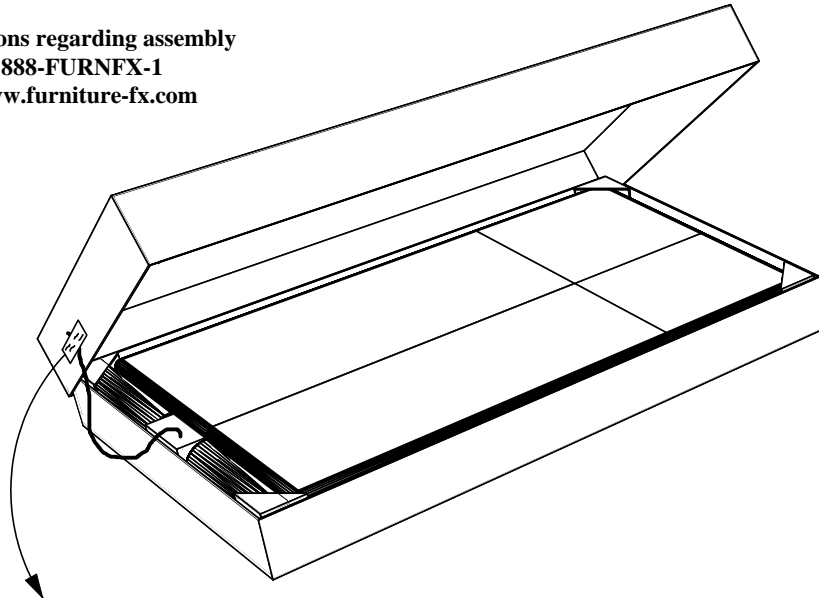


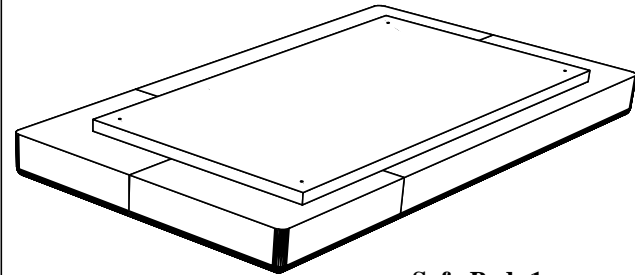
DENVER
ASSEMBLY INSTRUCTIONS

For questions regarding assembly
please call 888-FURNFX-1
or visit www.furniture-fx.com

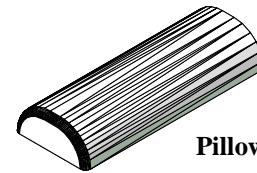


QUALITY CONTROL
This string is attached to the
~~HARDWARE PACK~~
Included inside ; a visible confirmation
of hardware being pack in this box

PARTS IN THIS BOX



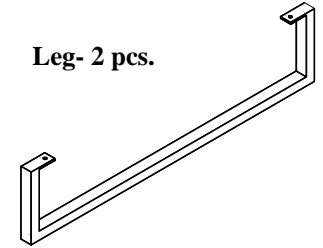
Sofa Bed- 1 pcs.



Pillow- 2 pcs.

HARDWARE IN THIS BOX

Leg- 2 pcs.



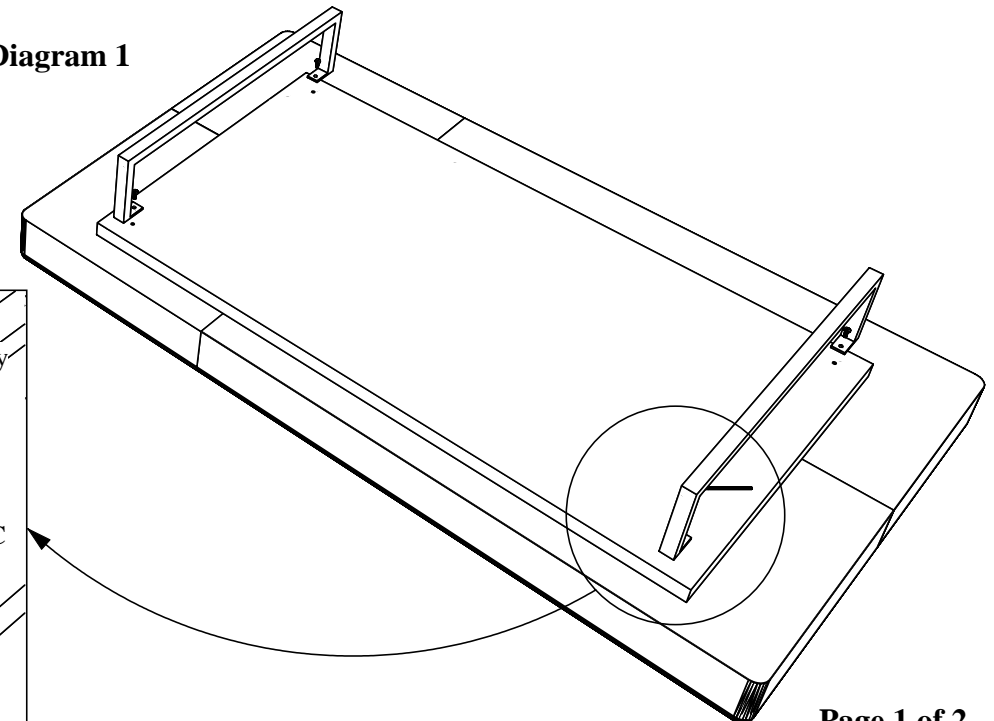
Allen Key- 1 pc.



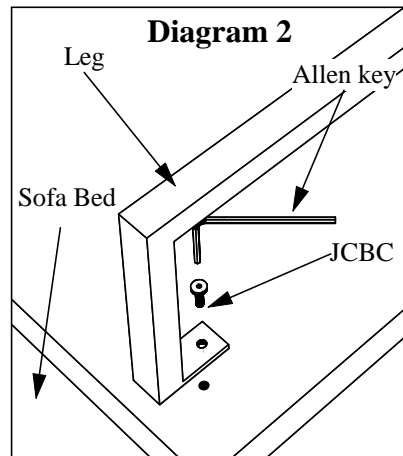
JCBC- 4 pcs.

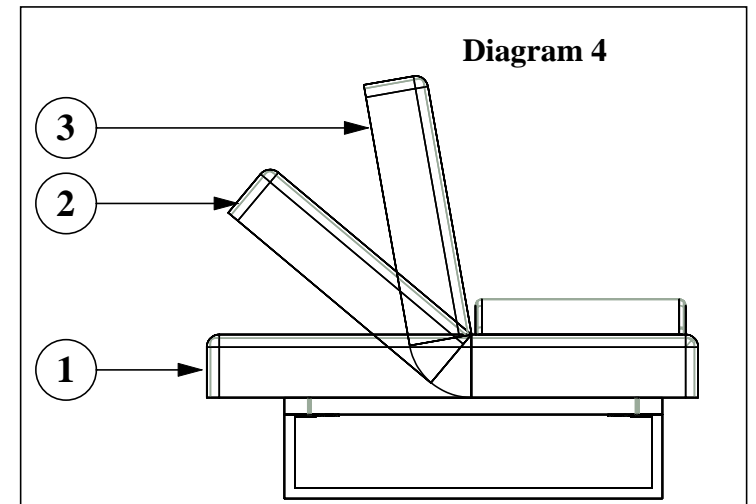
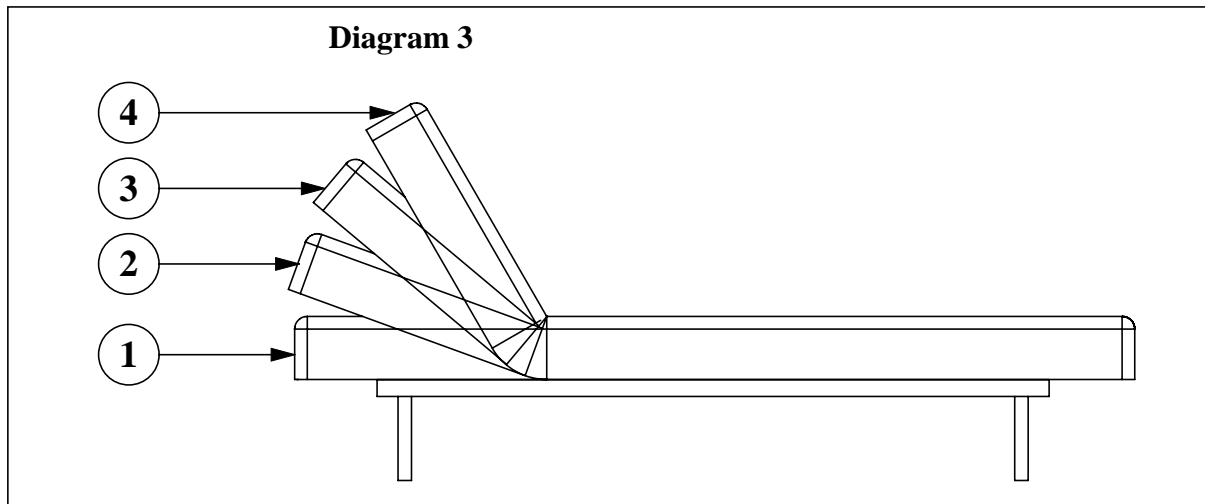


Diagram 1



1. Avoid using sharp object such as a knife to cut open the bubble wrap packing as you may accidentally damage the sofa fabric.
2. The sofa bed frame is pre-assembled to the sofa. Fix the four legs to the frame as shown in diagram 1.
3. Align both the JCBC Bolt and on the pre-fixed threaded metal plate before securing the bolt firmly.
4. Thread in all the bolts through the holes as shown in diagram 2.
Do not over tighten.

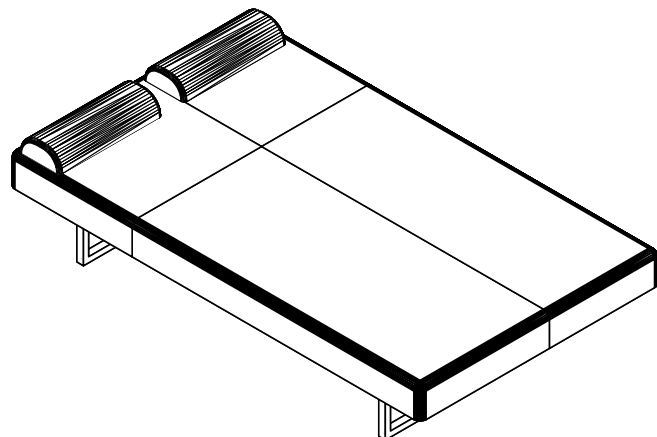




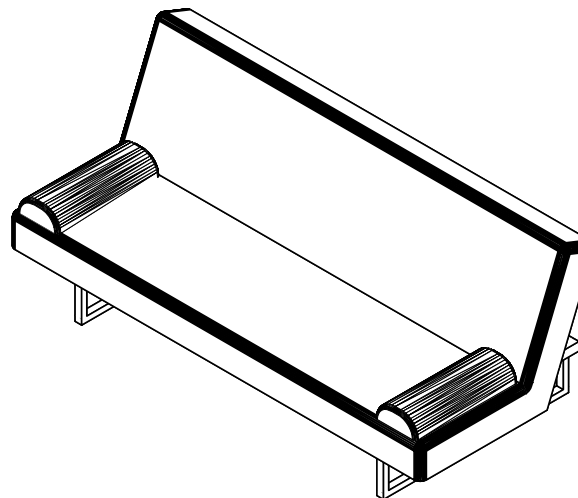
1. There are 3 lounging positions for the lounger / bed conversion as shown in diagram 3.
2. The sofa bed has 3 positions as shown in diagram 4.
3. Stand in the middle at the back to the required positions and secure it in the place by listening to the clicking sound of the mechanism in the sofa. Make sure that the two sides of the locking mechanism lock at the same angle

4. For back to bed conversion, stand in the middle at the back of the sofa bed and simply lift the back up all the way to the end until the final clicking position of the sofa mechanism is heard and slowly release it back to the bed position

Function A



Function B



Function C

