

Assembly Instructions

Futon Body Assembly

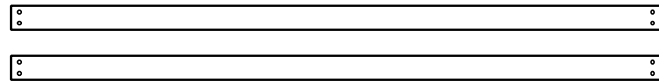
Chair • Love seat • Full • Queen

SHOE FITTINGS™ Bronze

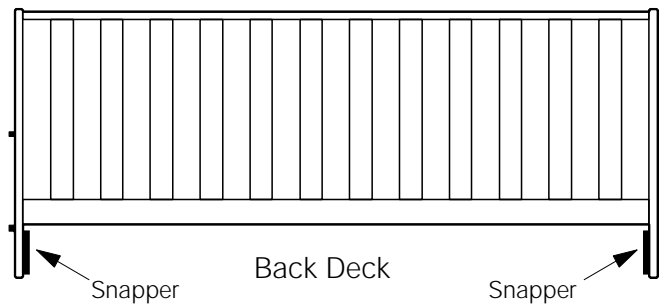
ND 1004

1A Parts Packed in this Box.

Please Note: The parts shown below are Full size.
The other sizes differ only in overall length.



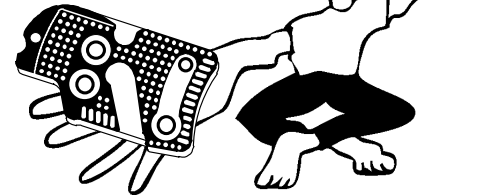
Stretchers x 2 pieces



Snapper

Back Deck

Snapper



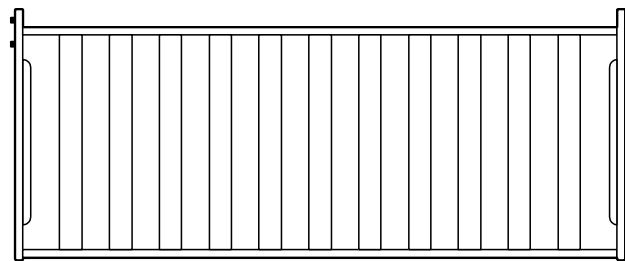
featuring the Rubber

SNAPPER™

Back Deck Top Roller (Code A2)

Back Deck Bottom Roller (Code A1)

Seat Deck Pin (Code A3)

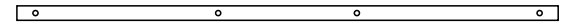


Seat Deck

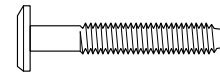
SHOE FITTINGS™

US Patent #6,715,166
Other Patents Pending

1B Full and Queen size only: Strong Back assembly.



Strong Back x 1 piece

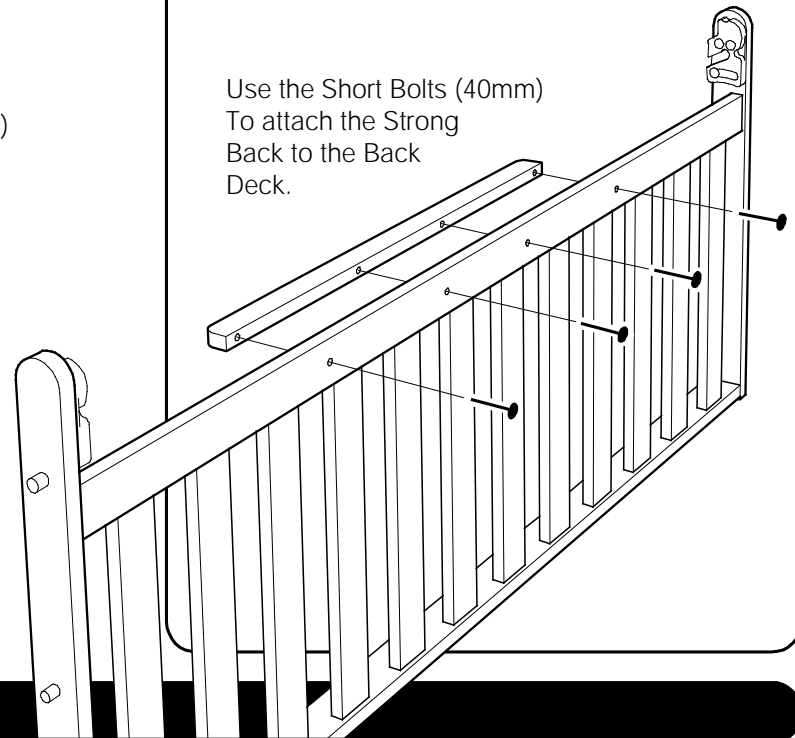


40mm Bolts
x 4 pieces

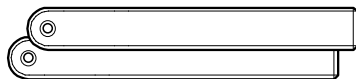


Allen Key
x 1 piece

Use the Short Bolts (40mm)
To attach the Strong
Back to the Back
Deck.



1C Queen size only: Extra parts in this box.



Short Legs
x 2 pieces

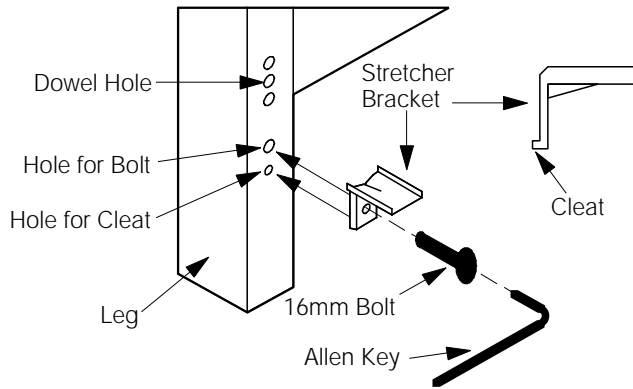


50mm Bolts
x 2 pieces

2A Prepare Arms for Assembly.

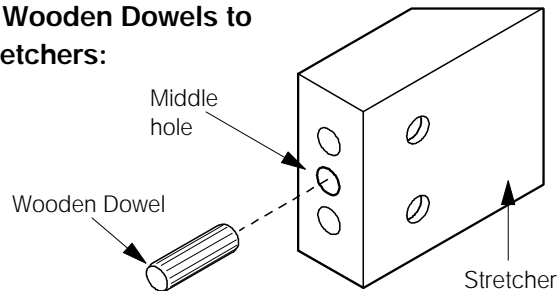
NOTE: The hardware for these steps is included in the ARM box.

Fasten Stretcher Brackets to the Arms:



- Insert the Stretcher Bracket Cleat into the hole provided.
- IMPORTANT:** Don't fully tighten Bracket until Stretchers are all in place for easy alignment.

Fit Wooden Dowels to Stretchers:

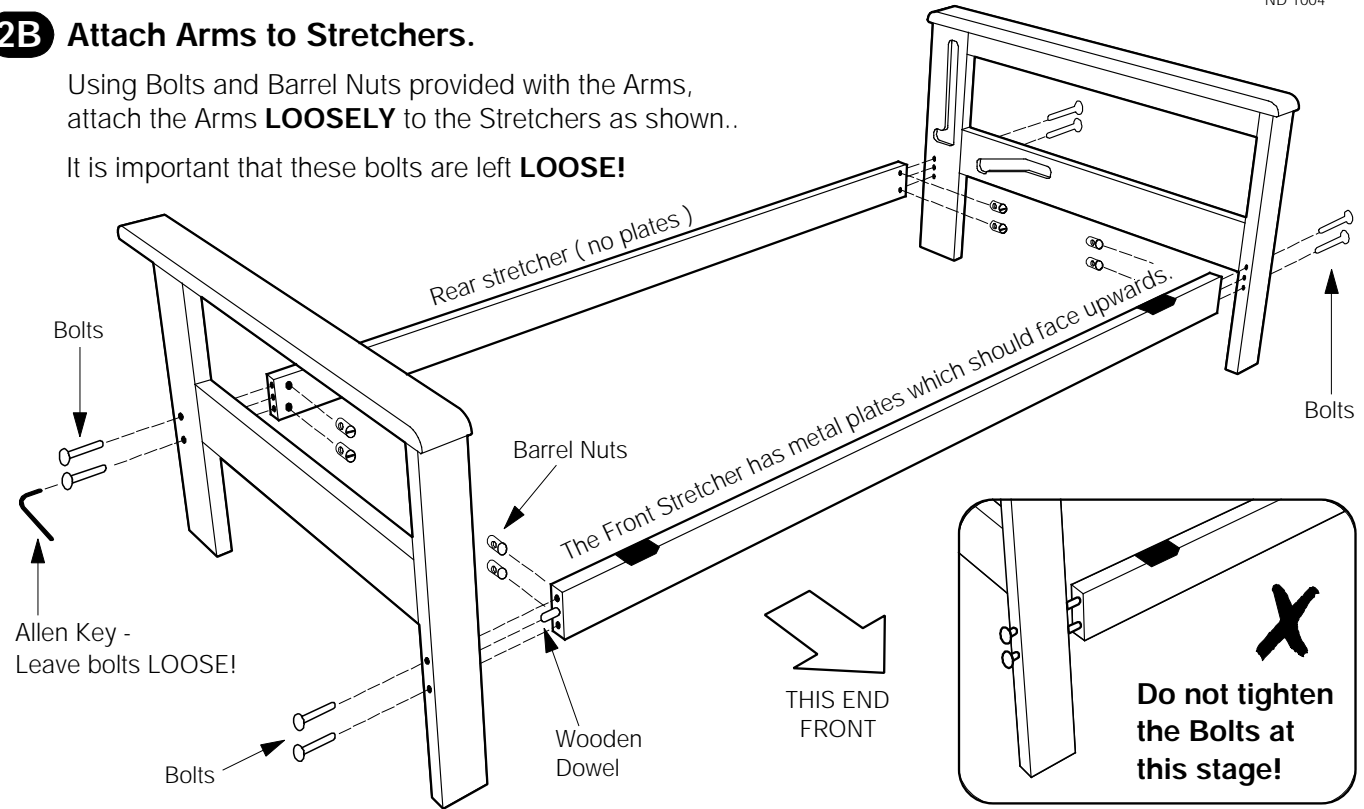


Tap dowels all the way into the middle hole at each end of the Stretchers.

2B Attach Arms to Stretchers.

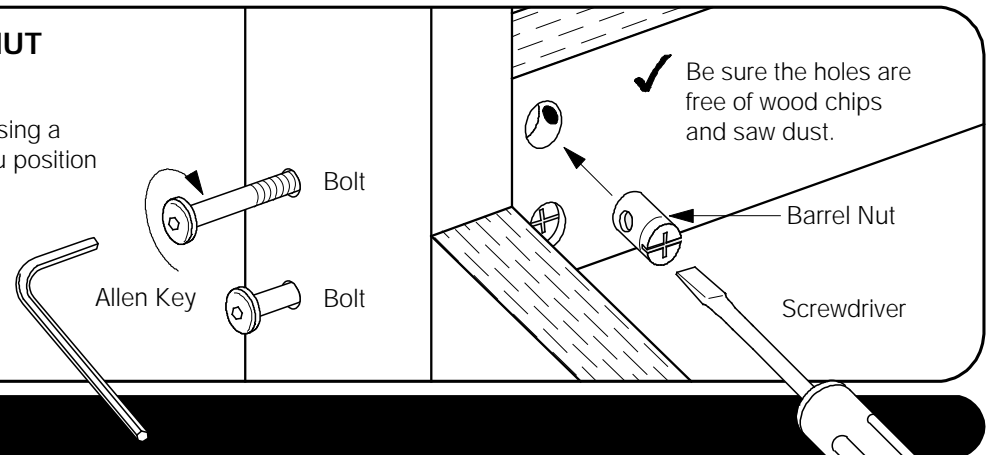
Using Bolts and Barrel Nuts provided with the Arms, attach the Arms **LOOSELY** to the Stretchers as shown..

It is important that these bolts are left **LOOSE!**



BOLT AND BARREL NUT ASSEMBLY SYSTEM

- ✓ Insert Barrel Nuts as shown using a screwdriver. This will help you position the Nut in line with the Bolt.
- ✓ Do not force the Bolt as you may strip the thread. Be sure the thread is properly started.

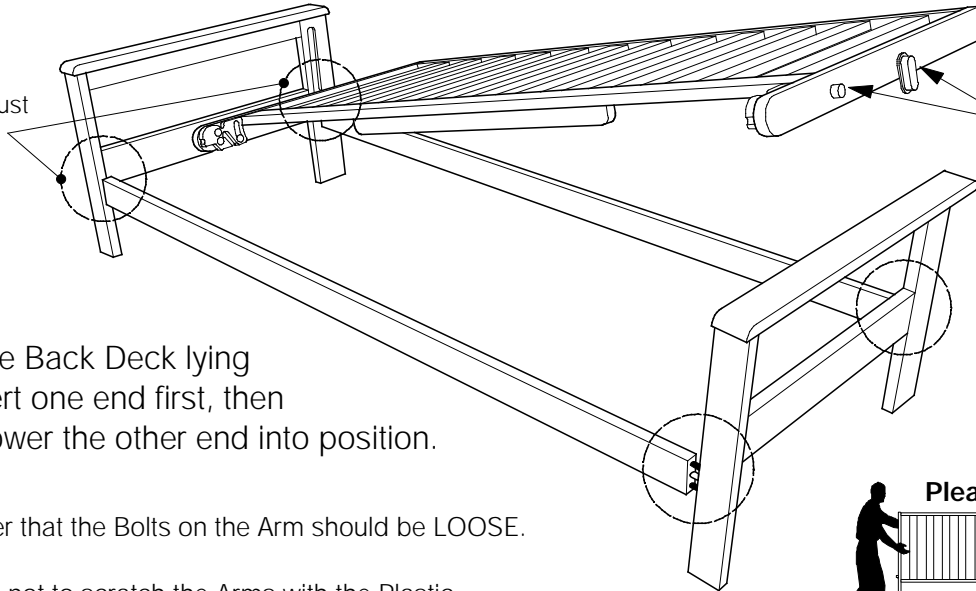


✓ Be sure the holes are free of wood chips and saw dust.

3A Fit the Back Deck into Position:

Your arm style may vary

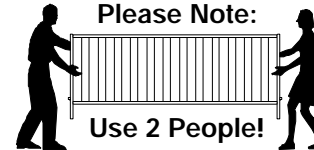
All four joints must be left LOOSE.



CAREFUL !
These can Scratch the Arms

Insert the Back Deck lying flat. Insert one end first, then gently lower the other end into position.

- ✓ Remember that the Bolts on the Arm should be LOOSE.
- ✗ Be careful not to scratch the Arms with the Plastic Runners when you lower the ends of the Back Deck.

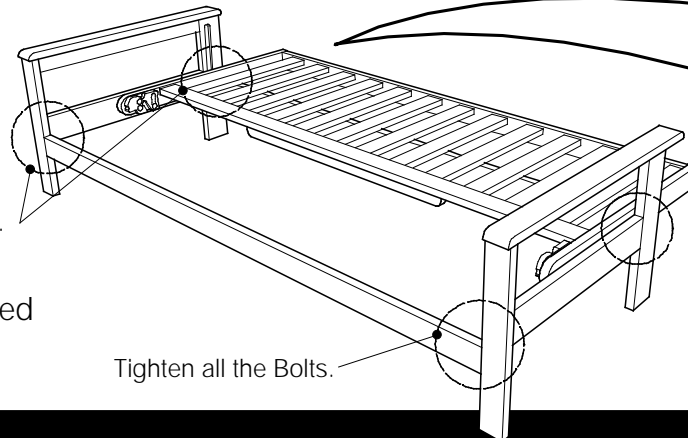


3B Tighten all the Bolts.

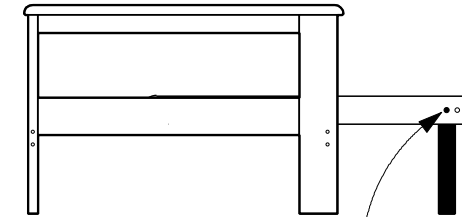
Tighten all the Bolts.

When you have the Back Deck fitted lying flat, tighten all the Bolts.

Tighten all the Bolts.

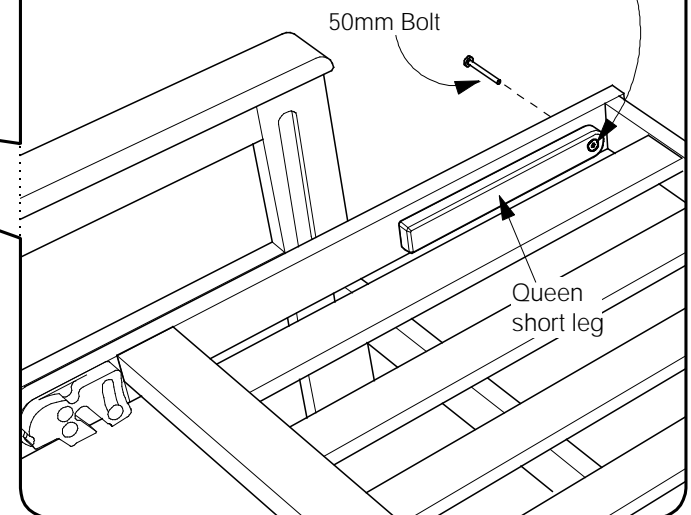


3C For Queen size frame only: Attach the short legs.



Using the extra 50mm bolts, attach the Queen short legs to the back deck.

The exposed part of the metal nut in the leg should be oriented away from the bolt for proper assembly.



Assembly Instructions

Fit the Seat Deck

Chair • Love seat • Full • Queen

SHOE FITTINGS™ Bronze

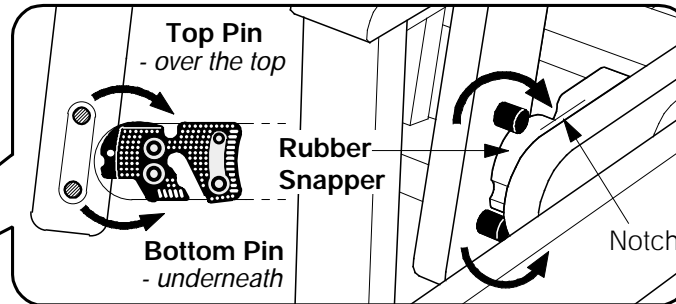
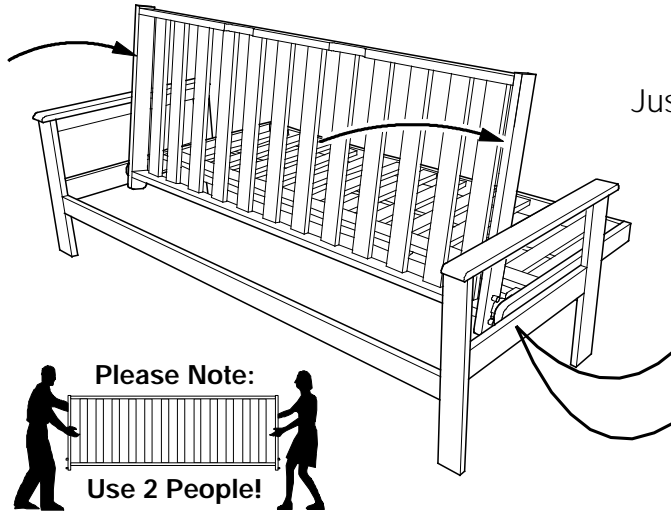
ND 1004

4A Hook the Seat Deck onto the Snapper.

Lift the Seat Deck in vertically, so the Pins meet with the Rubber Snapper. The head of the Snapper should fit **between both Pins**.

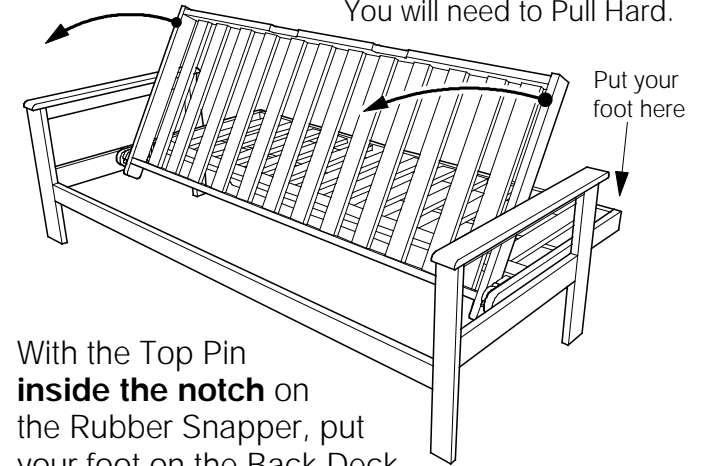
Just remember:

- The Top Pin - fits over the top,
- The Lower Pin - goes underneath.



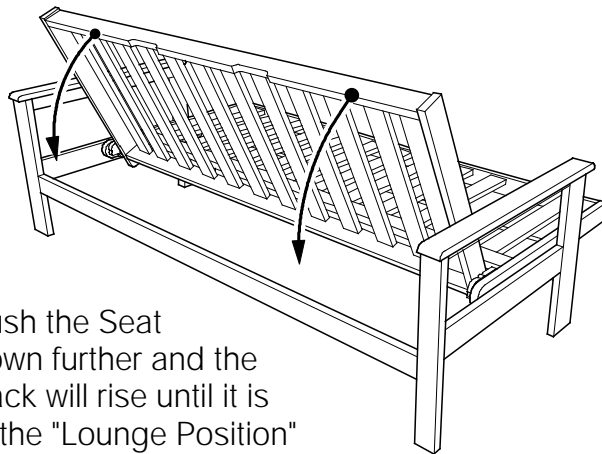
4B Pull the Seat over the "Snap Point."

You will need to Pull Hard.



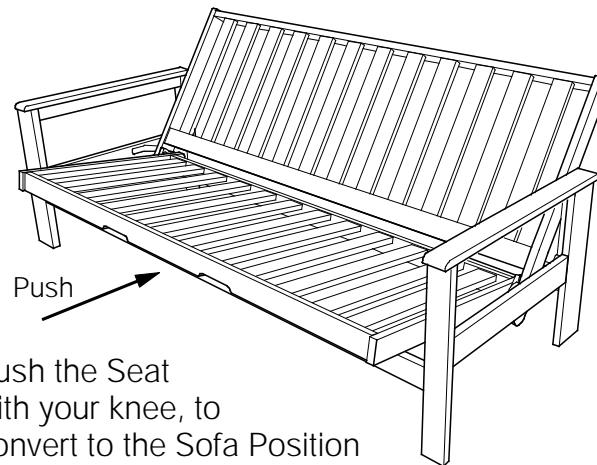
With the Top Pin **inside the notch** on the Rubber Snapper, put your foot on the Back Deck and pull the Seat over the "Snap Point"

4C Push down on the Seat, and the Back will Lift.



Push the Seat down further and the Back will rise until it is in the "Lounge Position"

4D This is the Lounge Position.



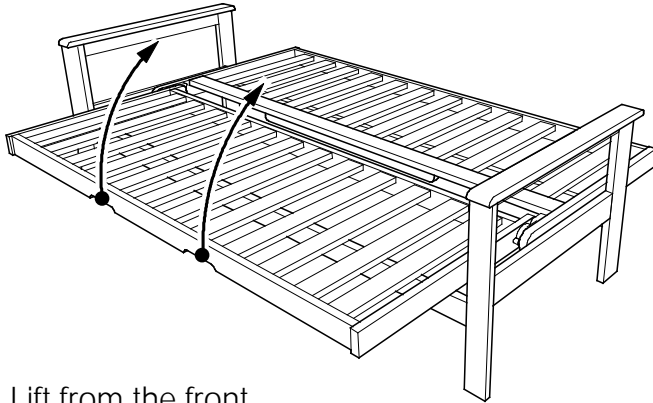
Push the Seat with your knee, to convert to the Sofa Position

4E This is the Sofa Position.



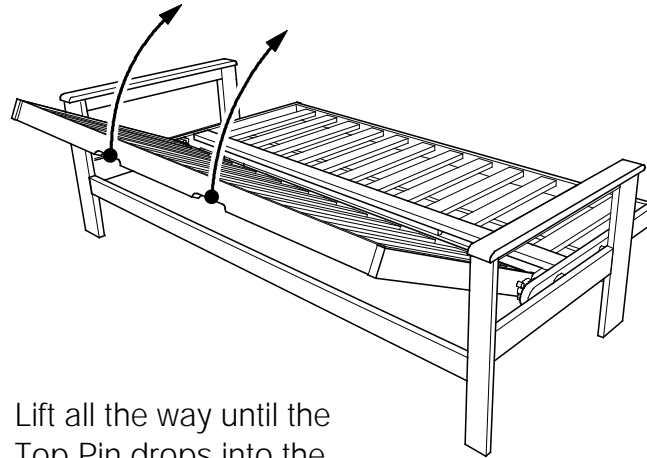
Add Mattress and Enjoy! See separate page for Operating Instructions.

5A From the Bed position, lift the Seat.



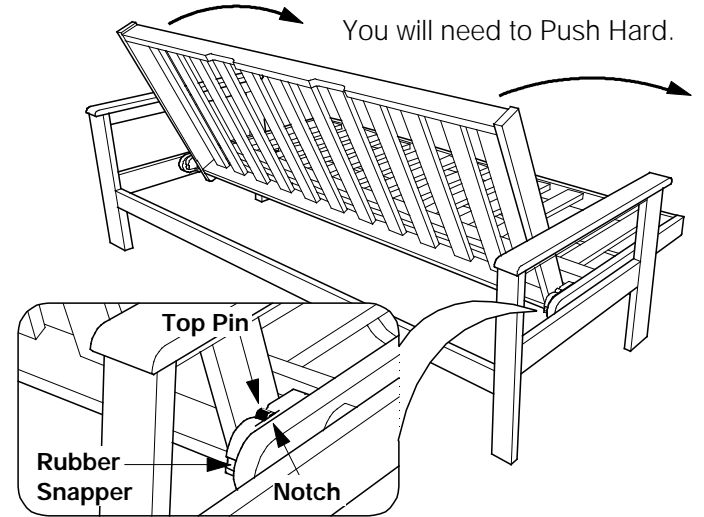
Lift from the front, using both Handles.

5B Lift the Seat all the way.



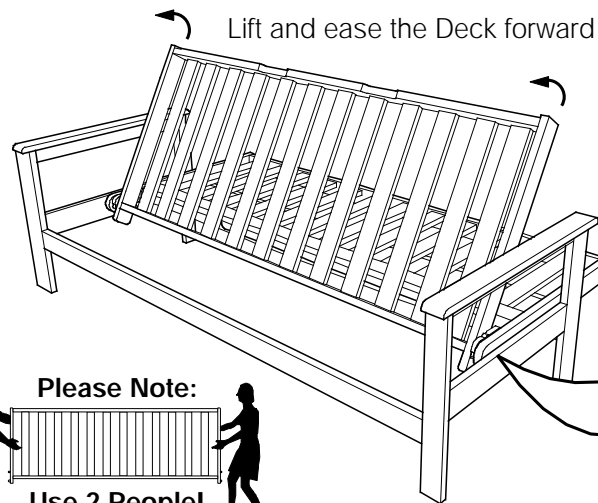
Lift all the way until the Top Pin drops into the notch on the Rubber Snapper.

5C Push the Seat over the "Snap Point."



You will need to Push Hard.

5D From the Back, lift out the Top Pin and ease the Seat Deck forward.

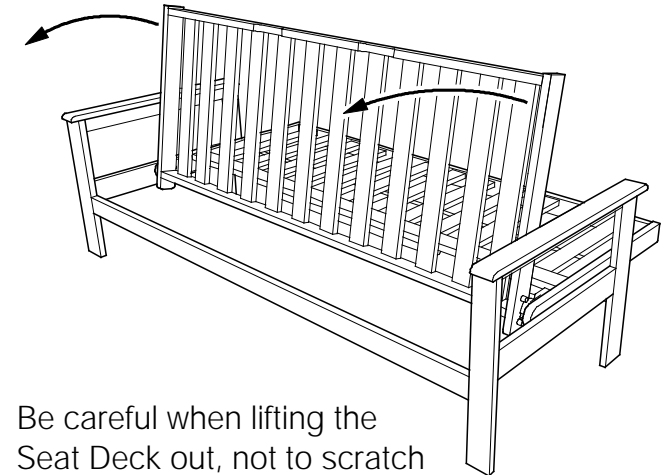


Lift and ease the Deck forward

Lift up so the Top Pin is out of its notch in the Rubber Snapper. Ease the Back Deck forward, keeping it orientated vertically.

Rubber Snapper

5E Lift the Seat clear of the frame.



Be careful when lifting the Seat Deck out, not to scratch the Arms with the Rollers.

