

COMMERCIAL FRAME

PACKING LIST FOR 10' x 10' CANOPY

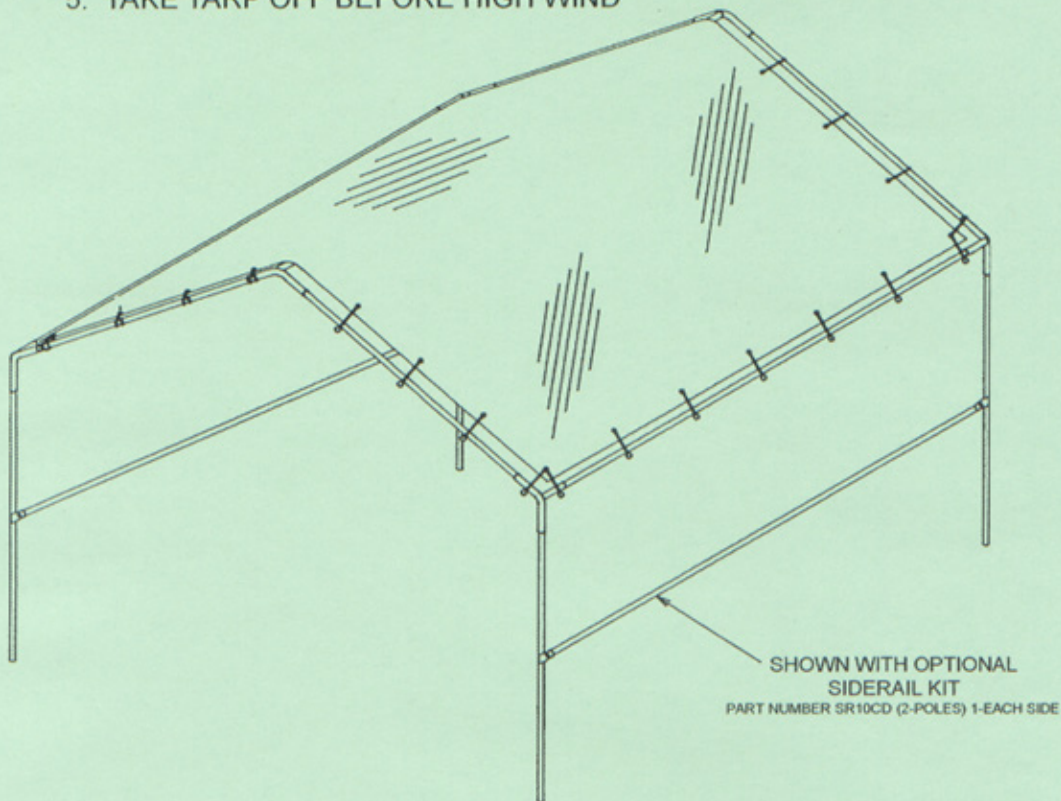
NOTE: Canopy Dimensions Not Exact

<u>QTY.</u>	<u>PART No.</u>	<u>DESCRIPTION</u>
1	T1012	TARP FOR 10' X 10'
6	E3CD	3 WAY END PIECE
34	BB8	BALL BUNGIES - 8"
4	P58CD	5' 8" GALVANIZED POLES*
3	P99CD	9' 9" GALVANIZED POLES*
4	P611CD	6' 11" GALVANIZED POLES*

*Poles are 1.660" O. D.

**** NOTES ****

1. READ ALL INSTRUCTIONS BEFORE STARTING ASSEMBLY.
2. CANOPIES MUST BE SECURED DOWN (SEE OPTIONAL DETAILS ON PAGE 4)
3. NOT INTENDED FOR PERMANENT USE
4. TAKE TARP OFF BEFORE HEAVY SNOW
5. TAKE TARP OFF BEFORE HIGH WIND



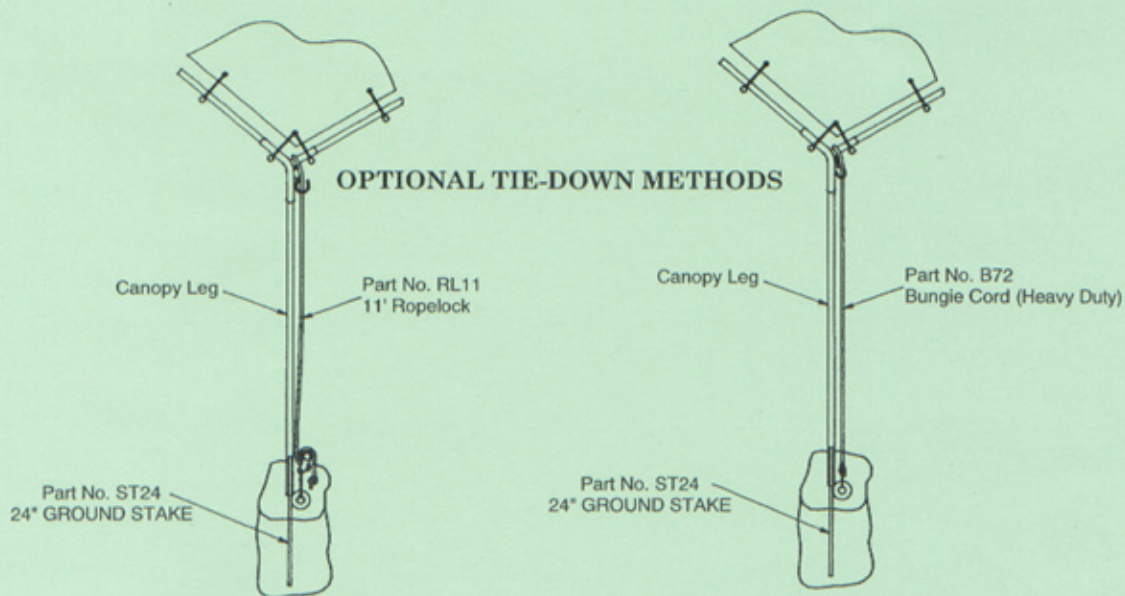
www.harpster-canopies.com

Harpster of Philipsburg, Inc. • P.O. Box 429 • 408 Airport Road • Philipsburg, PA 16866 Phone: (814) 342-2930 • Fax (814) 342-4193 • Email: sales@harpster-canopies.com

PAGE 1

HELPFUL HINTS ON ASSEMBLY OF THE 10' x 10' CANOPY

1. Pick a good level spot to setup the All-Purpose Canopy.
2. If the tarp does not fit check the following:
 - a) Make sure poles are pushed firmly into all the 3-way end pieces.
 - b) If tarp is too short on the one side, then rotate 90 degrees.
3. Remove tarp or take down canopy before (SNOW & WIND STORMS) this will keep the tarp and poles in good condition.
4. Make sure canopy is secured from the 3-way ends down to the ground.
5. Enjoy!!



ALL PURPOSE CANOPY THIRTY DAY LIMITED WARRANTY

Harpster of Phillipsburg promises to repair or replace the All Purpose Canopy or any part of it within thirty (30) days of purchase if defective in materials or workmanship. This limited warranty does not cover damage due to neglect, wind, snow, fire, misuse or any act of God, nor does this limited warranty cover damage resulting from the canopy not having been securely fastened down nor from improper installation. Harpster of Phillipsburg makes no other warranty and the remedy of repair or replacement is the exclusive remedy. Harpster of Phillipsburg, is not liable for indirect, incidental or consequential damages in connection with the use of the All Purpose Canopy, including any cost or expense of providing substitute equipment or service during periods of non-use. Any defective canopy or part must be sent, shipping pre-paid, to Harpster of Phillipsburg, attention Warranty Department, 408 Airport Road, Phillipsburg, Pennsylvania 16866.

EXCLUSION OF WARRANTIES

Harpster of Phillipsburg makes no warranties which extend beyond the description on the face hereof. Specifically, the Warranty of Merchantability and the Warranty of Fitness for a Particular Purpose are Excluded. The only WARRANTY which is made by Harpster of Phillipsburg is the "THIRTY DAY LIMITED WARRANTY" described above.

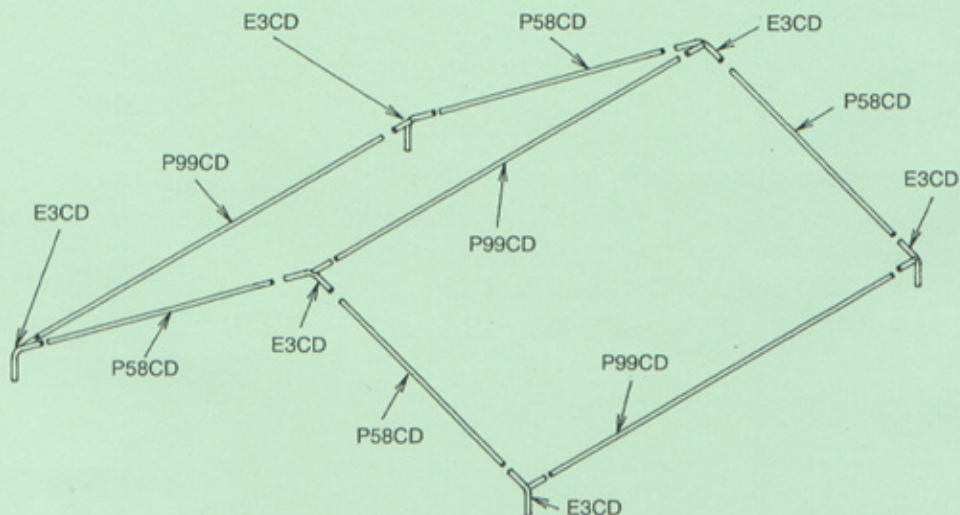
ASSEMBLY OF 10' x 10' CANOPY

Assembly of the canopy should be on a level sight and assembled in the following order.

WARNING: DO NOT USE FOR SNOW COVER.

STEP 1: a) Lay out the top section of the canopy on the ground as follows.

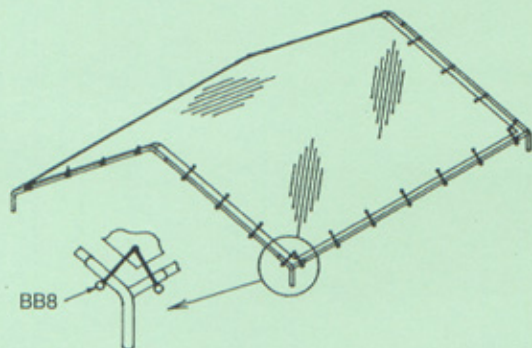
- b) Insert Part Number P99CD into Part Number E3CD.
- c) Insert Part Number P58CD into Part Number E3CD.



STEP 2: a) Extend tarp over assembly and attach Part Number BB8.

"Tarp will only fit one way"

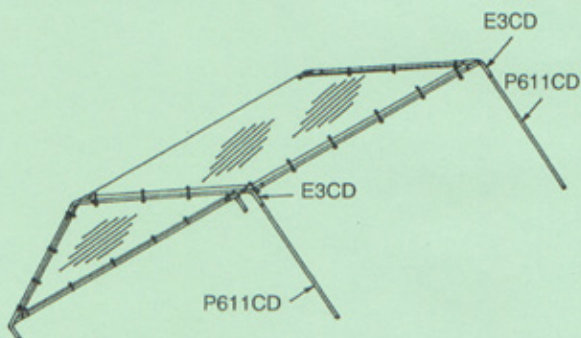
Note: Do opposite corners, then sides and top with Part Number BB8.
"Only corners on ends get double bungee"



STEP 3: a) Insert Part Number P611CD into Part Number E3CD.

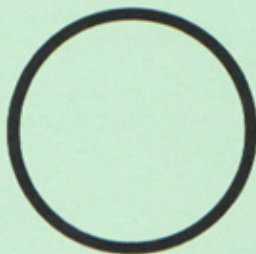
Starting with one side and completing that side, then do the opposite side.

- b) Do not forget to secure canopy to ground.



OPTIONAL ACCESSORIES

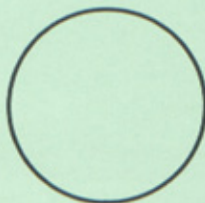
ASK YOUR LOCAL DEALER FOR FURTHER INFORMATION



1.660" OD
16 GAUGE
COMMERCIAL FRAME



1.315" OD
17 GAUGE
HEAVY DUTY FRAME



1.315" OD
20 GAUGE
STANDARD FRAME

REPLACEMENT PARTS & ACCESSORIES

- Gable End Panels
- Ground Stakes
- Replacement Poles
- Replacement Tarps
- Flag Holders
- Ball Bungies
- Ropelocks™
- Grommet Repair Kit
- End Clamp
- Boulevard Clamp
- Corner Clamp
- Side Rail Kits
- Side Panels
- Heavy Duty Bungie Cords
- 4" x 4" Leg Base Plate

CANOPY SIZES AVAILABLE:

10' x 10'	10' x 20'
18' x 20'	18' x 30'
12' x 30'	18' x 40'

www.harpster-canopies.com

Manufactured By: Harpster of Phillipsburg, Inc. • P.O. Box 429 • 408 Airport Road • Phillipsburg, PA 16866
Phone: (814) 342-2930 • Fax (814) 342-4193 • Email: sales@harpster-canopies.com

PAGE 4

COMMERCIAL FRAME

PACKING LIST FOR 10' x 20' CANOPY

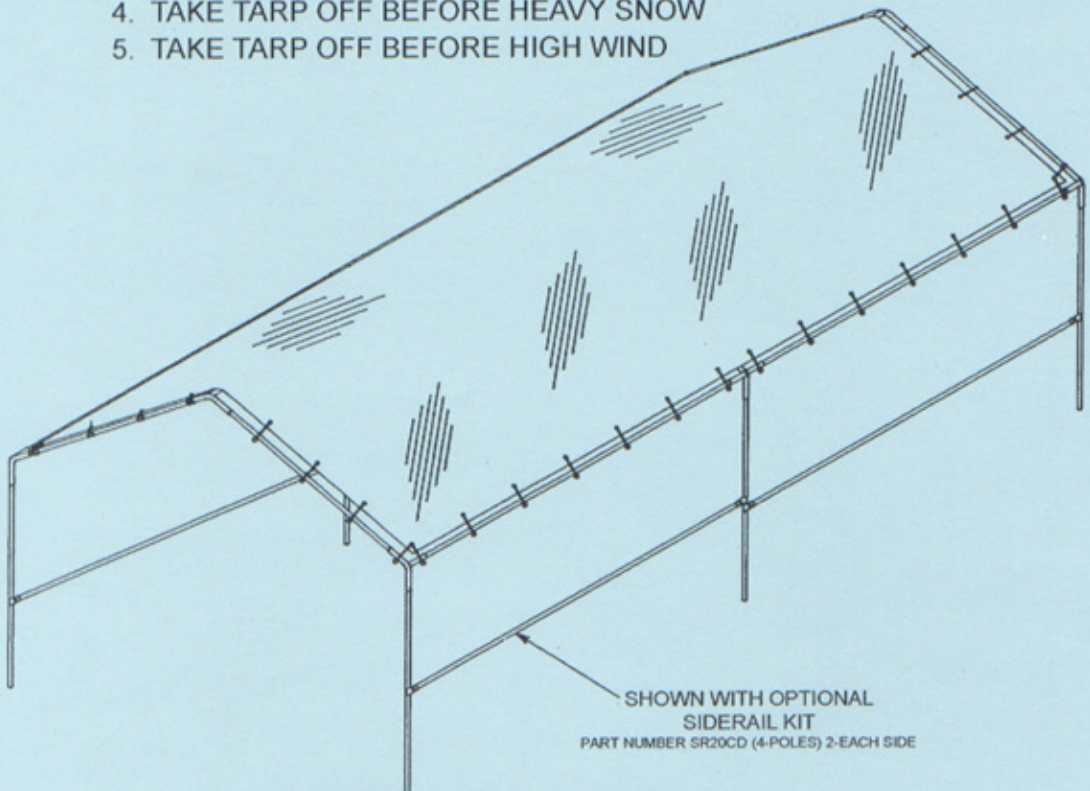
NOTE: Canopy Dimensions Not Exact

<u>QTY.</u>	<u>PART No.</u>	<u>DESCRIPTION</u>
1	T1220	TARP FOR 10' X 20'
6	E3CD	3 WAY END PIECE
3	C4CD	4 WAY CENTER PIECE
50	BB8	BALL BUNGIES - 8"
6	P58CD	5' 8" GALVANIZED POLES*
6	P99CD	9' 9" GALVANIZED POLES*
6	P611CD	6' 11" GALVANIZED POLES*

*Poles are 1.660" O. D.

**** NOTES ****

1. READ ALL INSTRUCTIONS BEFORE STARTING ASSEMBLY.
2. CANOPIES MUST BE SECURED DOWN (SEE OPTIONAL DETAILS ON PAGE 4)
3. NOT INTENDED FOR PERMANENT USE
4. TAKE TARP OFF BEFORE HEAVY SNOW
5. TAKE TARP OFF BEFORE HIGH WIND

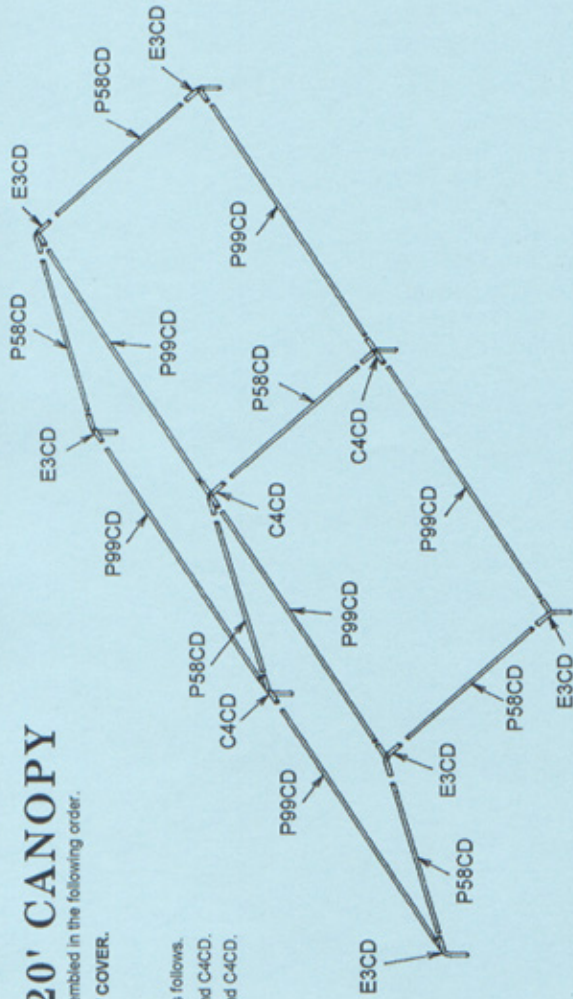


ASSEMBLY OF 10' x 20' CANOPY

Assembly of the canopy should be on a level slight and assembled in the following order.

WARNING: DO NOT USE FOR SNOW COVER.

- STEP 1:**
- Lay out the top section of the canopy on the ground as follows.
 - Insert Part Number P99CD into Part Number E3CD and C4CD.
 - Insert Part Number P58CD into Part Number E3CD and C4CD.

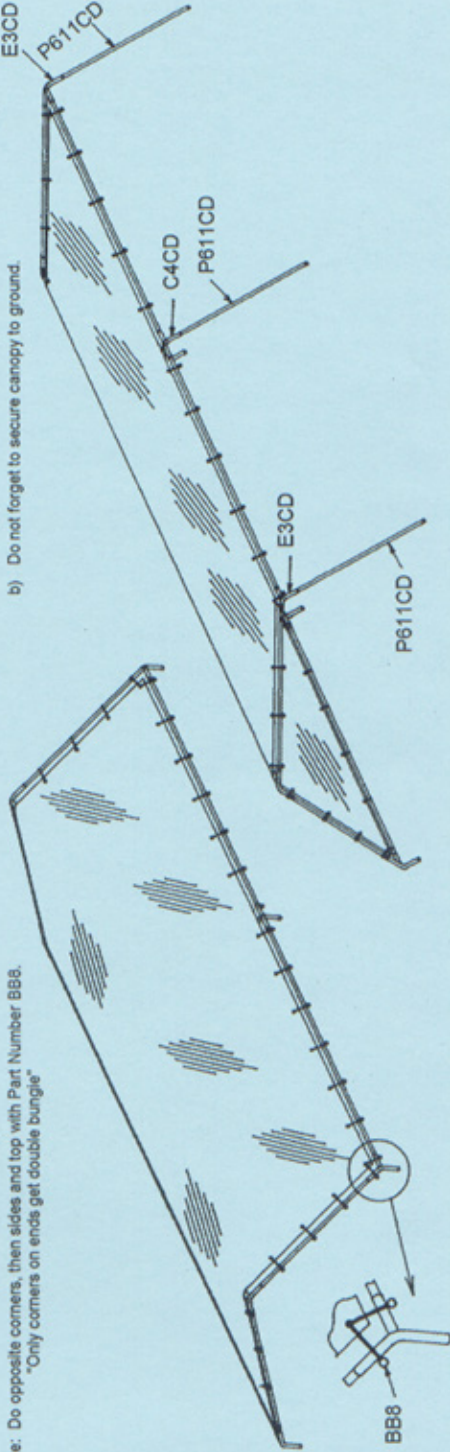


- STEP 2:**
- Extend tarp over assembly and attach Part Number BB8.

"Tarp will only fit one way"

Note: Do opposite corners, then sides and top with Part Number BB8.

"Only corners on ends get double bungle"



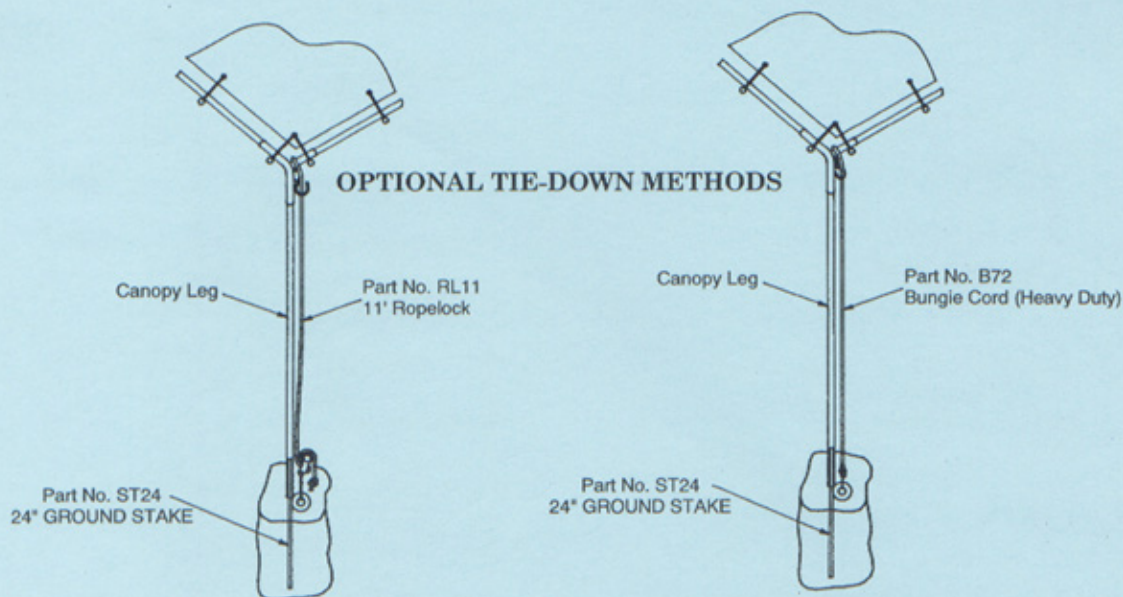
- STEP 3:**
- Insert Part Number P611CD into Part Number E3CD and C4CD.

Starting with one side and completing that side, then do the opposite side.

- Do not forget to secure canopy to ground.

HELPFUL HINTS ON ASSEMBLY OF THE 10' x 20' CANOPY

1. Pick a good level spot to setup the All-Purpose Canopy.
2. If the tarp does not fit check the following:
 - a) Make sure poles are pushed firmly into all the 3-way end pieces and 4-way center pieces.
 - b) If tarp is too short on the one side, then rotate 90 degrees.
3. Remove tarp or take down canopy before (SNOW & WIND STORMS) this will keep the tarp and poles in good condition.
4. Make sure canopy is secured from the 3-way ends and 4-way centers down to the ground.
5. When putting legs on, start with the center leg. The canopy will balance on that one leg, and complete that side. Do the same for the other side.
6. Enjoy!!



ALL PURPOSE CANOPY THIRTY DAY LIMITED WARRANTY

Harpster of Philipsburg promises to repair or replace the All Purpose Canopy or any part of it within thirty (30) days of purchase if defective in materials or workmanship. This limited warranty does not cover damage due to neglect, wind, snow, fire, misuse or any act of God, nor does this limited warranty cover damage resulting from the canopy not having been securely fastened down nor from improper installation. Harpster of Philipsburg makes no other warranty and the remedy of repair or replacement is the exclusive remedy. Harpster of Philipsburg, is not liable for indirect, incidental or consequential damages in connection with the use of the All Purpose Canopy, including any cost or expense of providing substitute equipment or service during periods of non-use. Any defective canopy or part must be sent, shipping pre-paid, to Harpster of Philipsburg, attention Warranty Department, 408 Airport Road, Philipsburg, Pennsylvania 16866.

EXCLUSION OF WARRANTIES

Harpster of Philipsburg makes no warranties which extend beyond the description on the face hereof. Specifically, the Warranty of Merchantability and the Warranty of Fitness for a Particular Purpose are Excluded. The only WARRANTY which is made by Harpster of Philipsburg is the "THIRTY DAY LIMITED WARRANTY" described above.

COMMERCIAL FRAME

PACKING LIST FOR 12' x 30' CANOPY

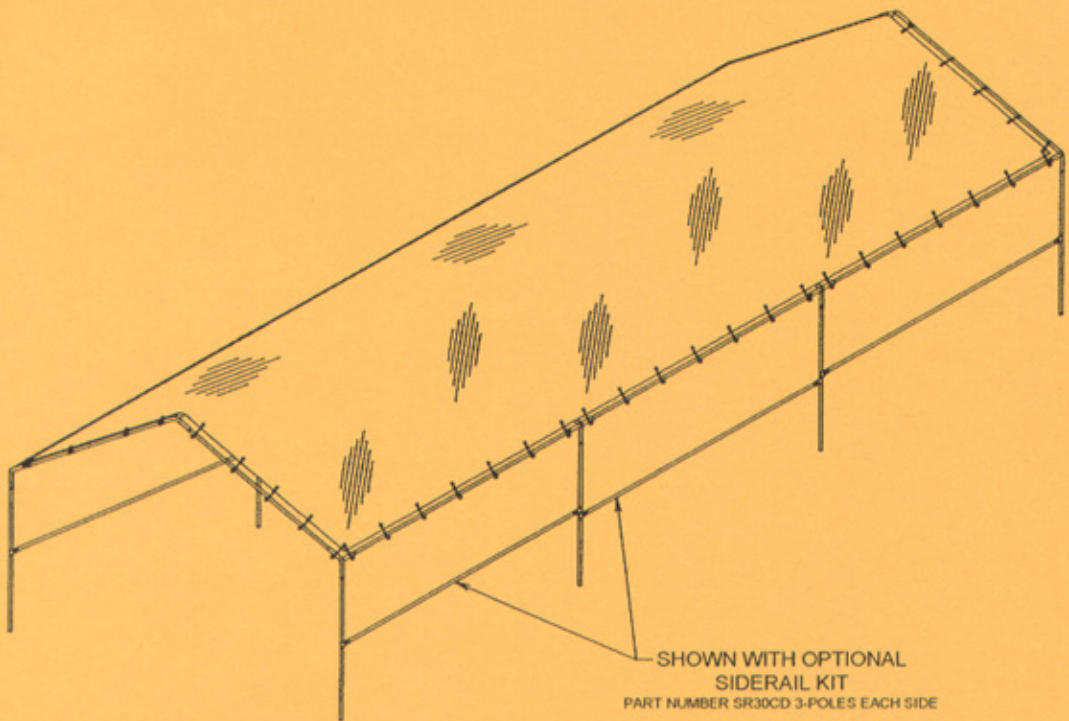
NOTE: Canopy Dimensions Not Exact

<u>QTY.</u>	<u>PART No.</u>	<u>DESCRIPTION</u>
1	T1530	TARP FOR 12' X 30'
6	E3CD	3 WAY END PIECE
6	C4CD	4 WAY CENTER PIECE
65	BB8	BALL BUNGIES - 8"
16	P611CD	6' 11" GALVANIZED POLES*
9	P99CD	9' 9" GALVANIZED POLES*

*Poles are 1.660" O. D.

**** NOTES ****

1. READ ALL INSTRUCTIONS BEFORE STARTING ASSEMBLY.
2. CANOPIES MUST BE SECURED DOWN (SEE OPTIONAL DETAILS ON PAGE 4)
3. NOT INTENDED FOR PERMANENT USE
4. TAKE TARP OFF BEFORE HEAVY SNOW
5. TAKE TARP OFF BEFORE HIGH WIND

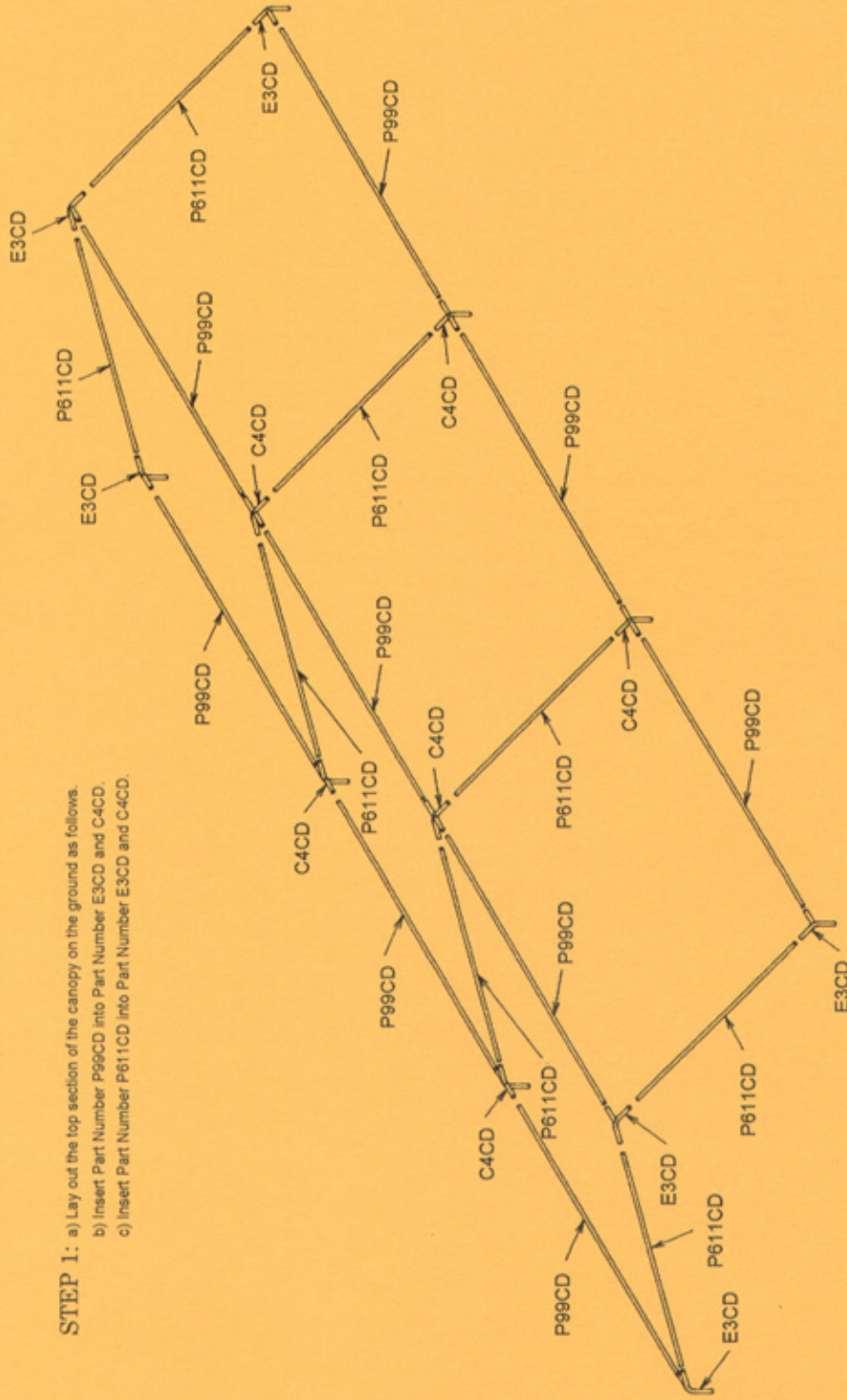


ASSEMBLY OF 12' X 30' CANOPY

Assembly of the canopy should be on a level sight and assembled in the following order.

WARNING: DO NOT USE FOR SNOW COVER.

- STEP 1:** a) Lay out the top section of the canopy on the ground as follows.
b) Insert Part Number P99CD into Part Number E3CD and C4CD.
c) Insert Part Number P611CD into Part Number E3CD and C4CD.

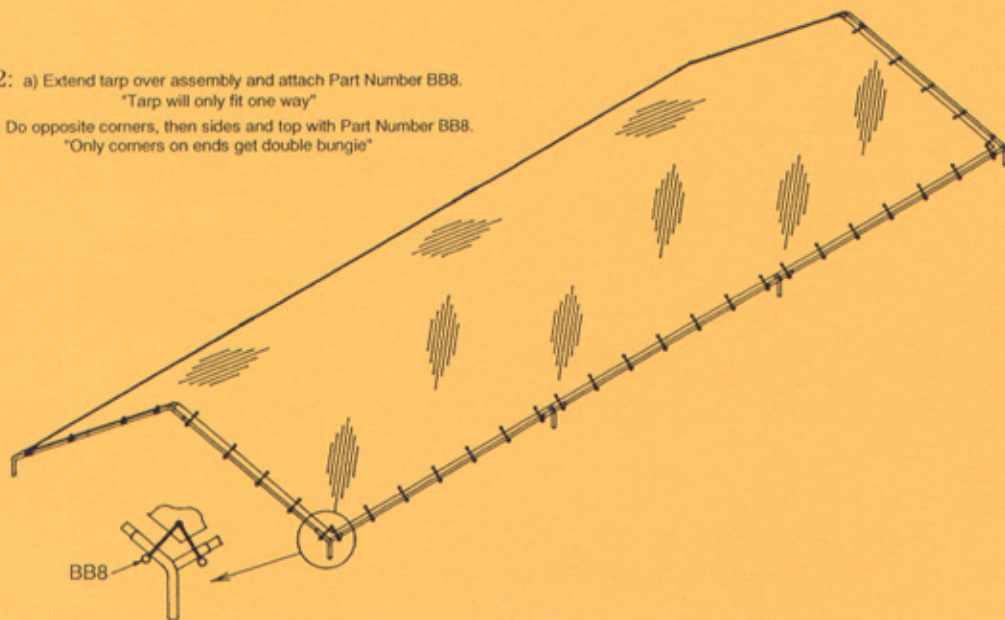


ASSEMBLY OF 12' x 30' CANOPY

Assembly of the canopy should be on a level sight and assembled in the following order.

STEP 2: a) Extend tarp over assembly and attach Part Number BB8.
"Tarp will only fit one way"

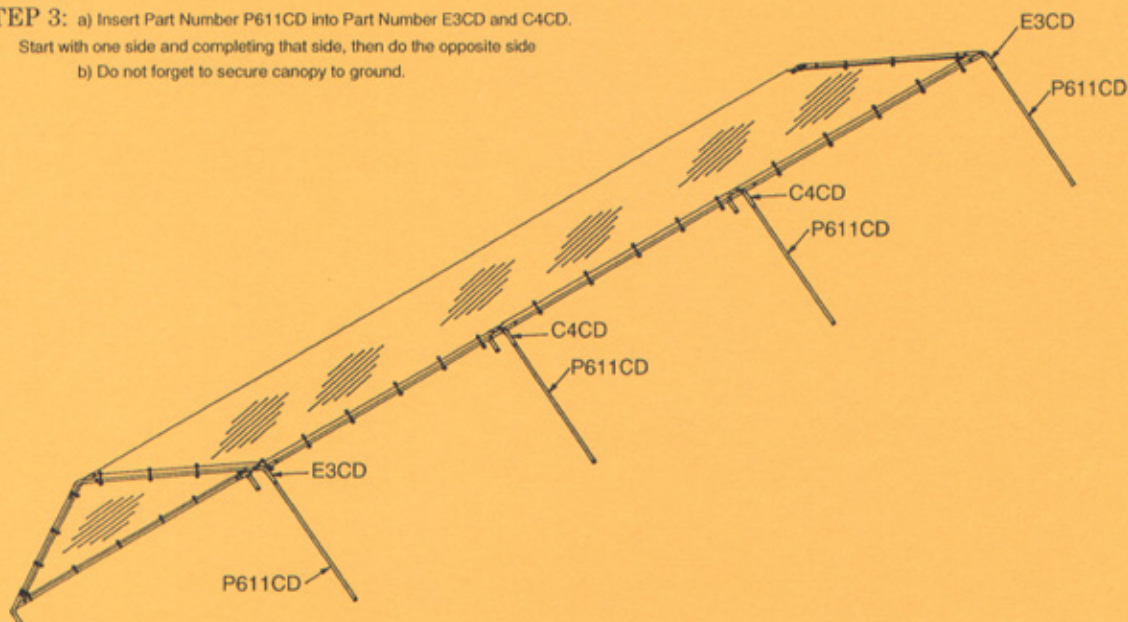
Note: Do opposite corners, then sides and top with Part Number BB8.
"Only corners on ends get double bungie"



STEP 3: a) Insert Part Number P611CD into Part Number E3CD and C4CD.

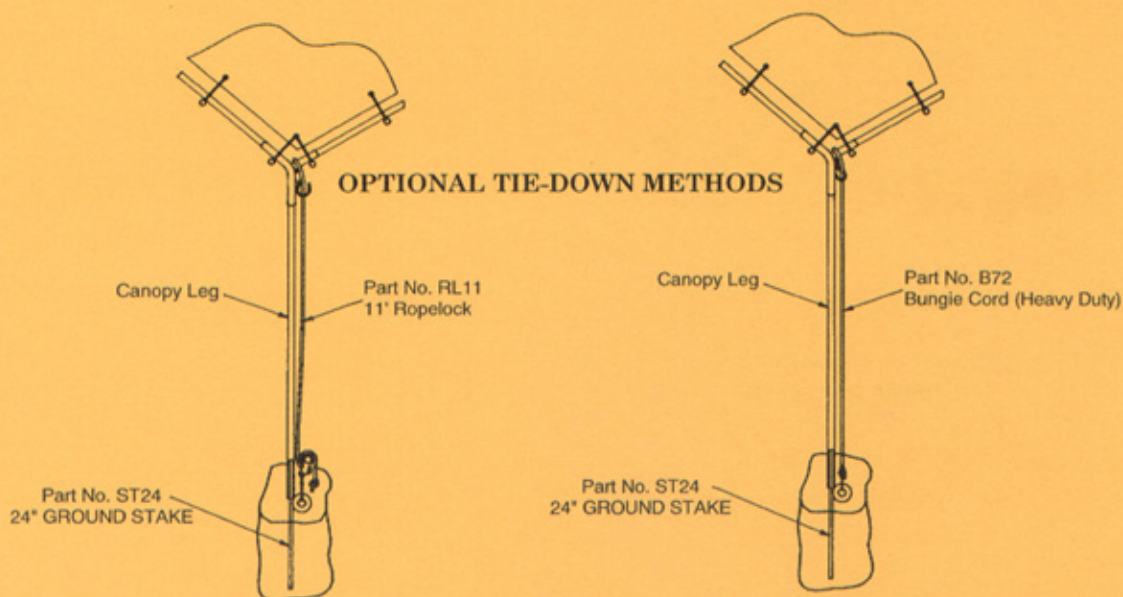
Start with one side and completing that side, then do the opposite side

b) Do not forget to secure canopy to ground.



HELPFUL HINTS ON ASSEMBLY OF THE 12' x 30' CANOPY

1. Pick a good level spot to setup the All-Purpose Canopy.
2. If the tarp does not fit check the following:
 - a) Make sure poles are pushed firmly into all the 3-way end pieces and 4-way center pieces.
3. Remove tarp or take down canopy before (SNOW & WIND STORMS) this will keep the tarp and poles in good condition.
4. Make sure canopy is secured from the 3-way ends and 4-way centers down to the ground.
5. When putting legs on, start with the two center legs. The canopy will balance on those two legs, and complete that side. Do the same for the other side.
6. Enjoy!!



ALL PURPOSE CANOPY THIRTY DAY LIMITED WARRANTY

Harpster of Philipsburg promises to repair or replace the All Purpose Canopy or any part of it within thirty (30) days of purchase if defective in materials or workmanship. This limited warranty does not cover damage due to neglect, wind, snow, fire, misuse or any act of God, nor does this limited warranty cover damage resulting from the canopy not having been securely fastened down nor from improper installation. Harpster of Philipsburg makes no other warranty and the remedy of repair or replacement is the exclusive remedy. Harpster of Philipsburg is not liable for indirect, incidental or consequential damages in connection with the use of the All Purpose Canopy, including any cost or expense of providing substitute equipment or service during periods of non-use. Any defective canopy or part must be sent, shipping pre-paid, to Harpster of Philipsburg, attention Warranty Department, 408 Airport Road, Philipsburg, Pennsylvania 16866.

EXCLUSION OF WARRANTIES

Harpster of Philipsburg makes no warranties which extend beyond the description on the face hereof. Specifically, the Warranty of Merchantability and the Warranty of Fitness for a Particular Purpose are Excluded. The only WARRANTY which is made by Harpster of Philipsburg is the "THIRTY DAY LIMITED WARRANTY" described above.

COMMERCIAL FRAME PACKING LIST FOR 18' x 20' CANOPY

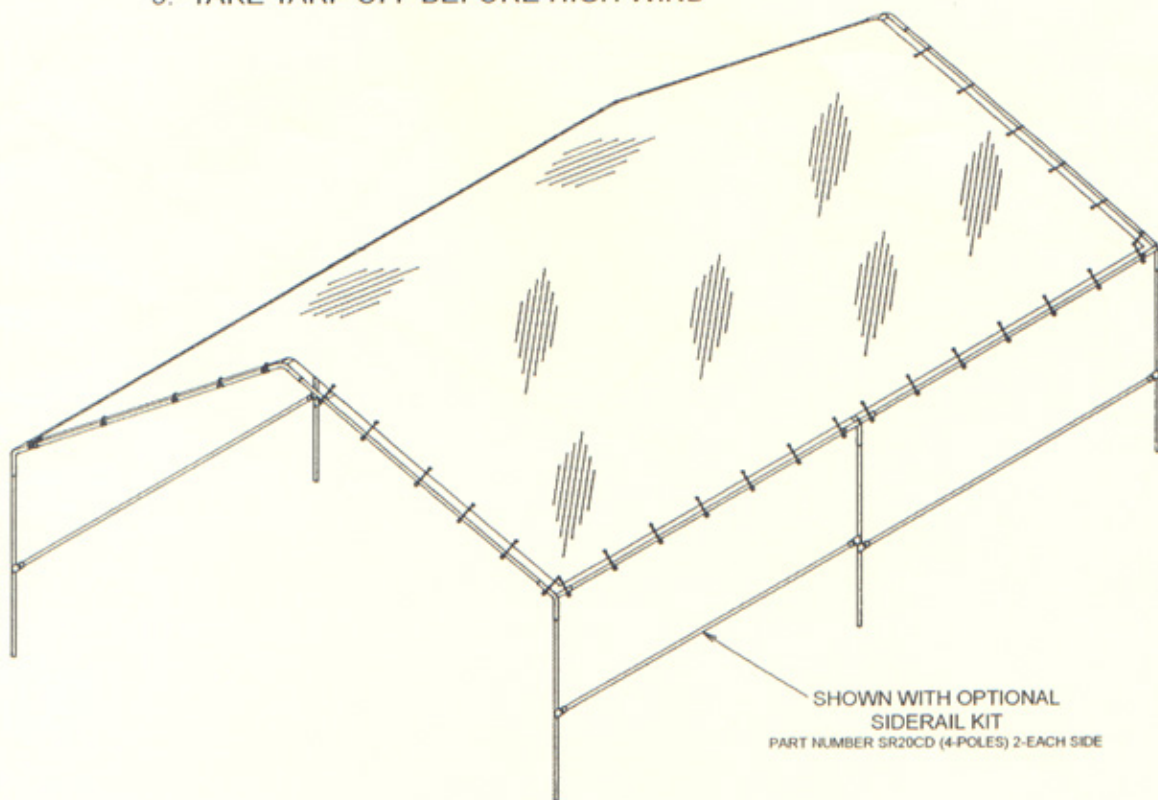
NOTE: Canopy Dimensions Not Exact

<u>QTY.</u>	<u>PART No.</u>	<u>DESCRIPTION</u>
1	T2020	TARP FOR 18' X 20'
6	E3CD	3 WAY END PIECE
3	C4CD	4 WAY CENTER PIECE
60	BB8	BALL BUNGIES - 8"
6	P611CD	6' 11" GALVANIZED POLES*
12	P99CD	9' 9" GALVANIZED POLES*

*Poles are 1.660" O. D.

**** NOTES ****

1. READ ALL INSTRUCTIONS BEFORE STARTING ASSEMBLY.
2. CANOPIES MUST BE SECURED DOWN (SEE OPTIONAL DETAILS ON PAGE 4)
3. NOT INTENDED FOR PERMANENT USE
4. TAKE TARP OFF BEFORE HEAVY SNOW
5. TAKE TARP OFF BEFORE HIGH WIND



www.harpster-canopies.com

Harpster of Philipsburg, Inc. • P.O. Box 429 • 408 Airport Road • Philipsburg, PA 16866 Phone: (814) 342-2930 • Fax (814) 342-4193 • Email: sales@harpster-canopies.com

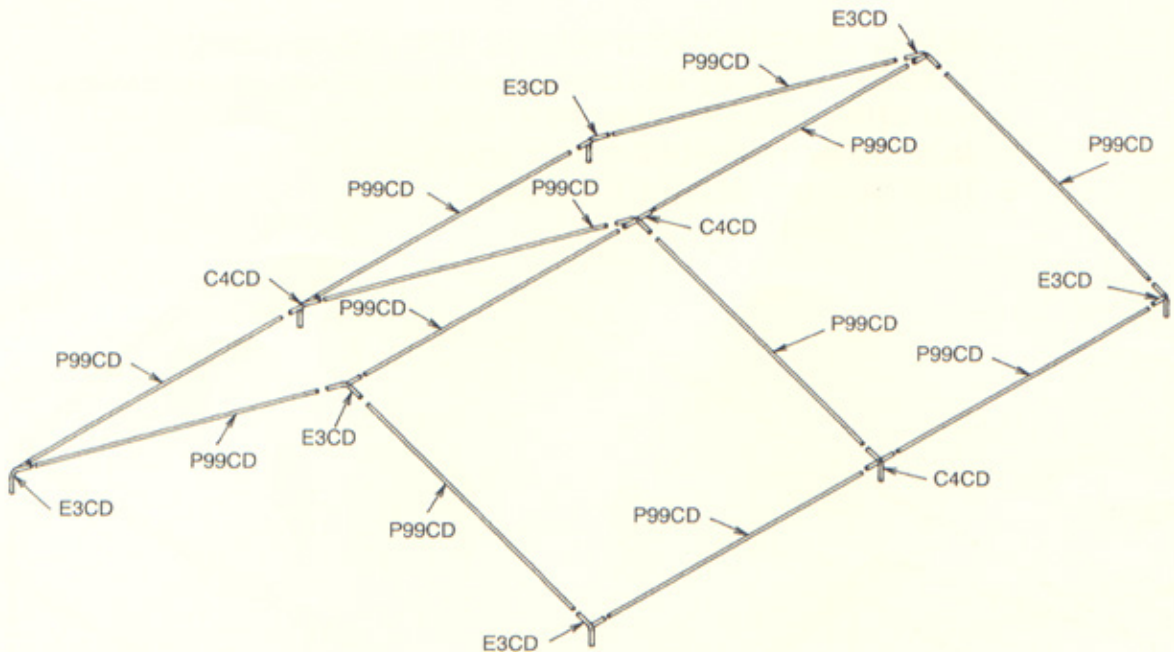
PAGE 1

ASSEMBLY OF 18' x 20' CANOPY

Assembly of the canopy should be on a level sight and assembled in the following order.

WARNING: DO NOT USE FOR SNOW COVER.

- STEP 1:** a) Lay out the top section of the canopy on the ground as follows.
b) Insert Part Number P99CD into Part Number E3CD and E4CD.

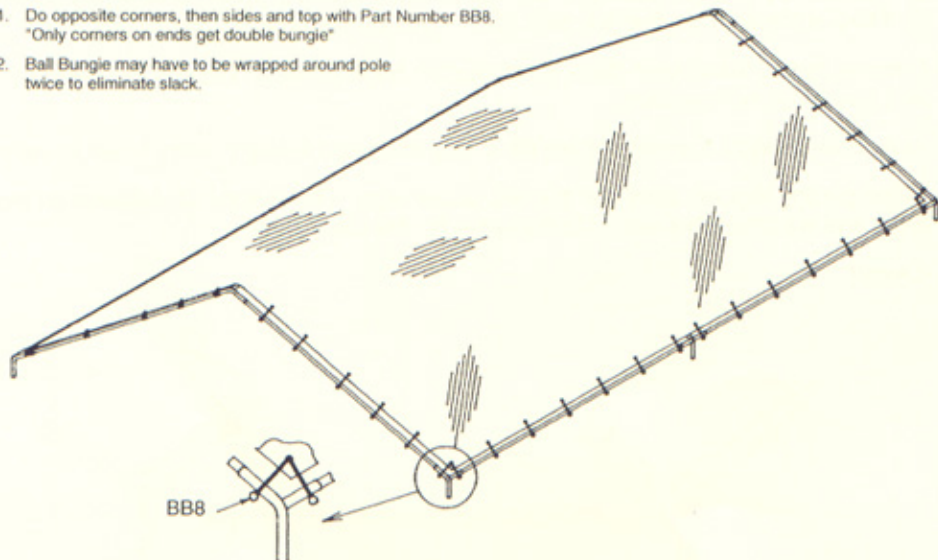


ASSEMBLY OF 18' x 20' CANOPY

Assembly of the canopy should be on a level sight and assembled in the following order.

STEP 2: a) Extend tarp over assembly and attach Part Number BB8.
"Tarp will only fit one way"

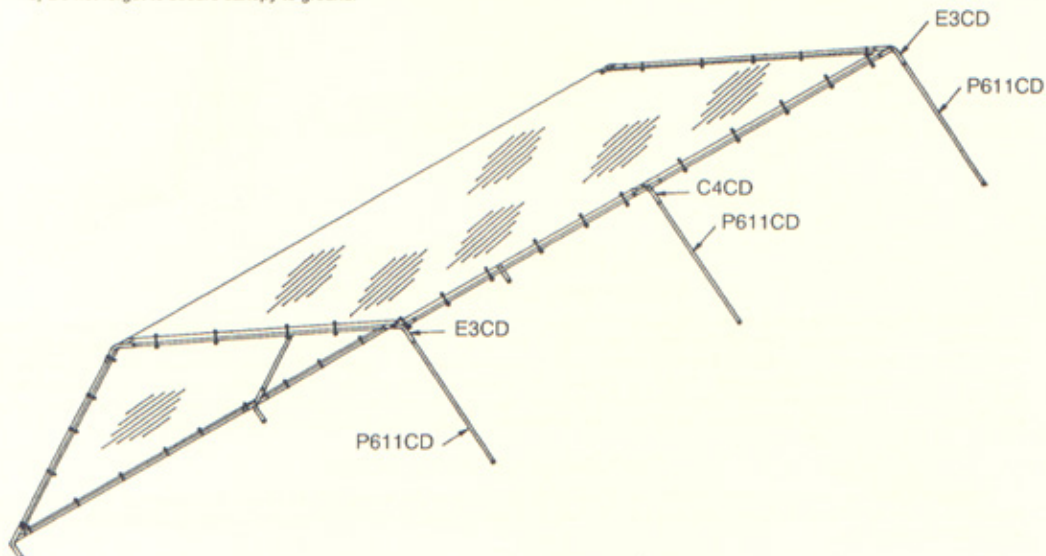
1. Do opposite corners, then sides and top with Part Number BB8.
"Only corners on ends get double bungle"
2. Ball Bungle may have to be wrapped around pole twice to eliminate slack.



STEP 3: a) Insert Part Number P611CD into Part Number E3CD and C4CD.

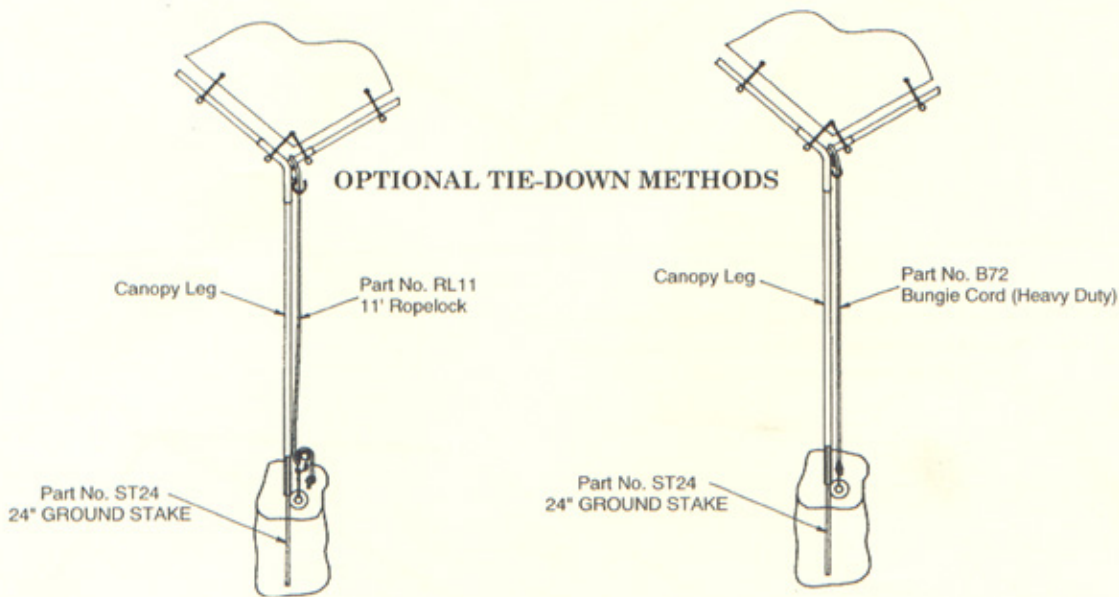
Start with one side and completing that side, then do the opposite side

- b) Do not forget to secure canopy to ground.



HELPFUL HINTS ON ASSEMBLY OF THE 18' x 20' CANOPY

1. Pick a good level spot to setup the All-Purpose Canopy.
2. If the tarp does not fit check the following:
 - a) Make sure poles are pushed firmly into all the 3-way end pieces and 4-way center pieces.
 - b) If tarp is too short on the one side, then rotate 90 degrees.
3. Remove tarp or take down canopy before (SNOW & WIND STORMS) this will keep the tarp and poles in good condition.
4. Make sure canopy is secured from the 3-way ends and 4-way centers down to the ground.
5. When putting legs on, start with the two center legs. The canopy will balance on those two legs, and complete that side. Do the same for the other side.
6. Enjoy!!



ALL PURPOSE CANOPY THIRTY DAY LIMITED WARRANTY

Harpster of Philipsburg promises to repair or replace the All Purpose Canopy or any part of it within thirty (30) days of purchase if defective in materials or workmanship. This limited warranty does not cover damage due to neglect, wind, snow, fire, misuse or any act of God, nor does this limited warranty cover damage resulting from the canopy not having been securely fastened down nor from improper installation. Harpster of Philipsburg makes no other warranty and the remedy of repair or replacement is the exclusive remedy. Harpster of Philipsburg, is not liable for indirect, incidental or consequential damages in connection with the use of the All Purpose Canopy, including any cost or expense of providing substitute equipment or service during periods of non-use. Any defective canopy or part must be sent, shipping pre-paid, to Harpster of Philipsburg, attention Warranty Department, 408 Airport Road, Philipsburg, Pennsylvania 16866.

EXCLUSION OF WARRANTIES

Harpster of Philipsburg makes no warranties which extend beyond the description on the face hereof. Specifically, the Warranty of Merchantability and the Warranty of Fitness for a Particular Purpose are Excluded. The only WARRANTY which is made by Harpster of Philipsburg is the "THIRTY DAY LIMITED WARRANTY" described above.

COMMERCIAL FRAME PACKING LIST FOR 18' x 30' CANOPY

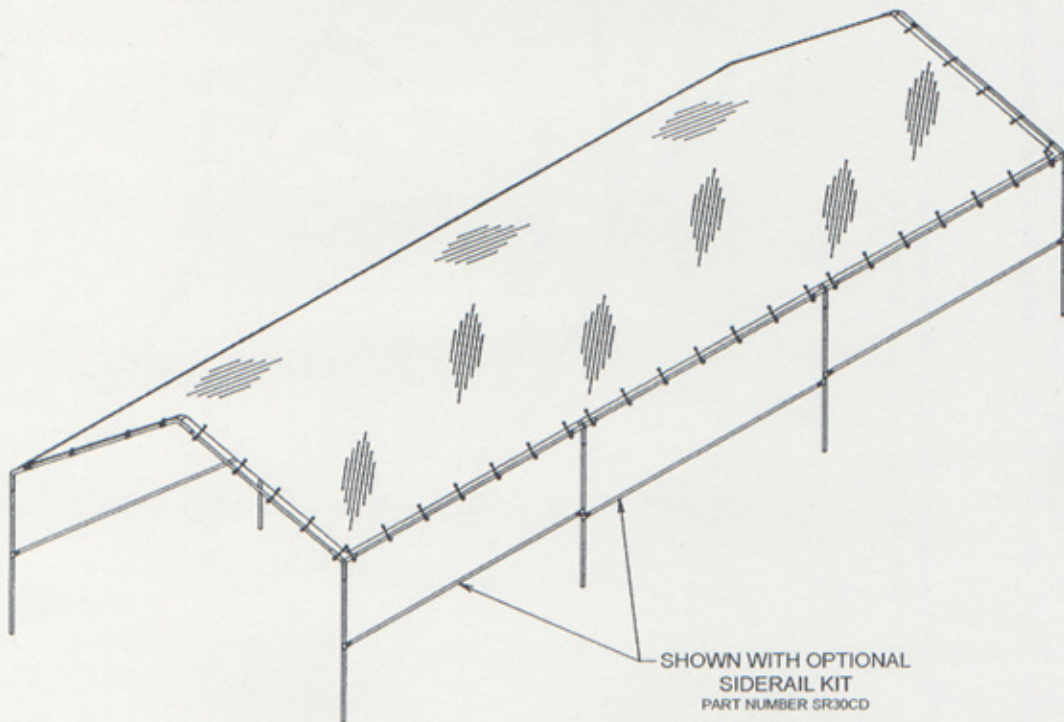
NOTE: Canopy Dimensions Not Exact

<u>QTY.</u>	<u>PART No.</u>	<u>DESCRIPTION</u>
1	T2030	TARP FOR 18 X 30
6	E3CD	3 WAY END PIECE
6	C4CD	4 WAY CENTER PIECE
72	BB8	BALL BUNGIES - 8"
8	P611CD	6' 11" GALVANIZED POLES*
17	P99CD	9' 9" GALVANIZED POLES*

*Poles are 1.660" O. D.

**** NOTES ****

1. READ ALL INSTRUCTIONS BEFORE STARTING ASSEMBLY.
2. CANOPIES MUST BE SECURED DOWN (SEE OPTIONAL DETAILS ON PAGE 4)
3. NOT INTENDED FOR PERMANENT USE
4. TAKE TARP OFF BEFORE HEAVY SNOW
5. TAKE TARP OFF BEFORE HIGH WIND

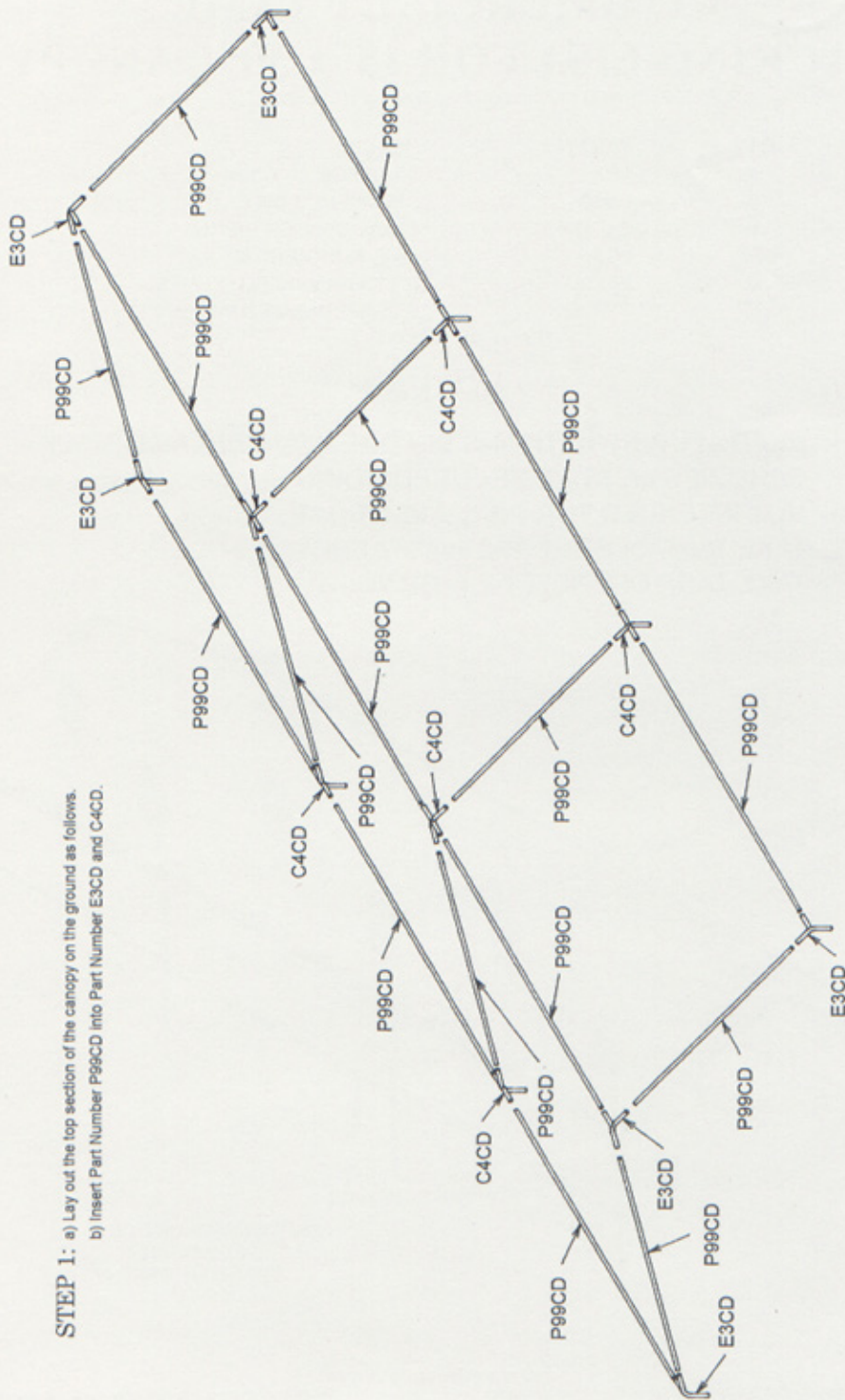


ASSEMBLY OF 18' x 30' CANOPY

Assembly of the canopy should be on a level sight and assembled in the following order.

WARNING: DO NOT USE FOR SNOW COVER.

- STEP 1:** a) Lay out the top section of the canopy on the ground as follows.
b) Insert Part Number P99CD into Part Number E3CD and C4CD.

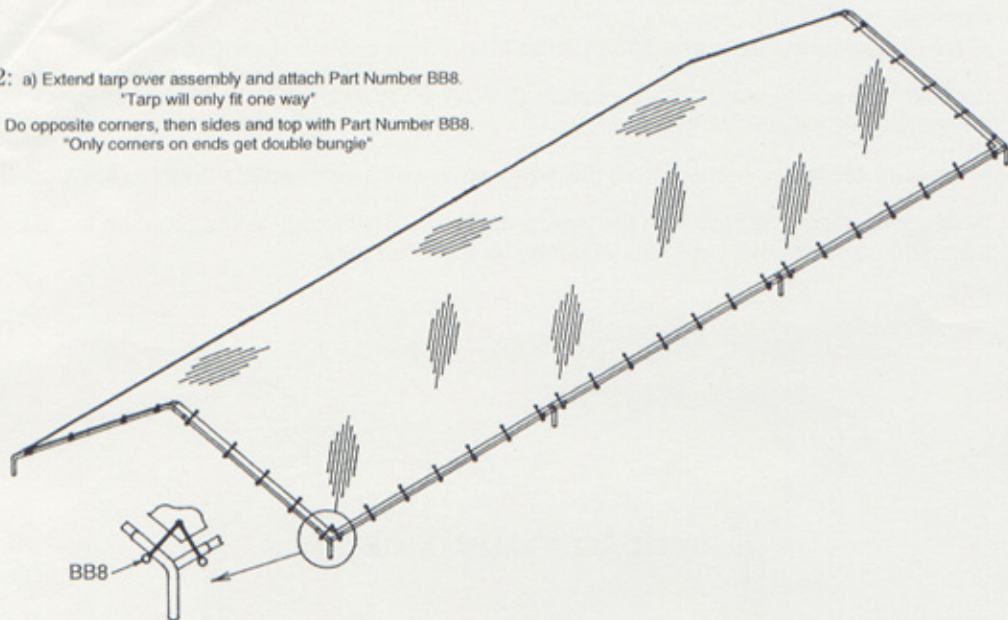


ASSEMBLY OF 18' x 30' CANOPY

Assembly of the canopy should be on a level sight and assembled in the following order.

STEP 2: a) Extend tarp over assembly and attach Part Number BB8.
"Tarp will only fit one way"

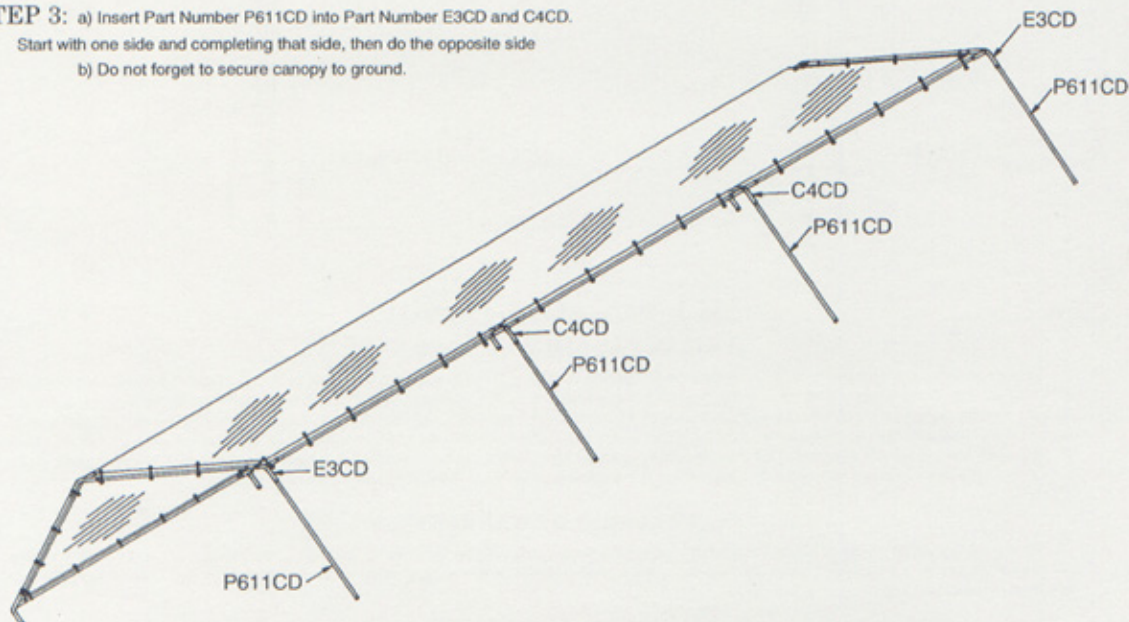
Note: Do opposite corners, then sides and top with Part Number BB8.
"Only corners on ends get double bungle"



STEP 3: a) Insert Part Number P611CD into Part Number E3CD and C4CD.

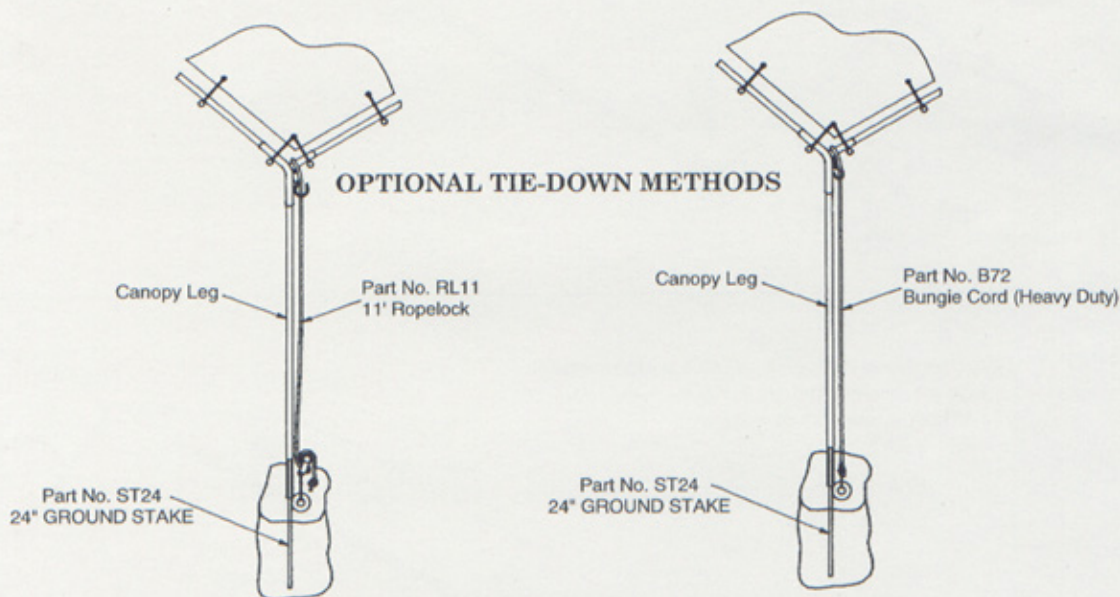
Start with one side and completing that side, then do the opposite side

b) Do not forget to secure canopy to ground.



HELPFUL HINTS ON ASSEMBLY OF THE 18' x 30' CANOPY

1. Pick a good level spot to setup the All-Purpose Canopy.
2. If the tarp does not fit check the following:
 - a) Make sure poles are pushed firmly into all the 3-way end pieces and 4-way center pieces.
3. Remove tarp or take down canopy before (SNOW & WIND STORMS) this will keep the tarp and poles in good condition.
4. Make sure canopy is secured from the 3-way ends and 4-way centers down to the ground.
5. When putting legs on, start with the two center legs. The canopy will balance on those two legs, and complete that side. Do the same for the other side.
6. Enjoy!!



ALL PURPOSE CANOPY THIRTY DAY LIMITED WARRANTY

Harpster of Philipsburg promises to repair or replace the All Purpose Canopy or any part of it within thirty (30) days of purchase if defective in materials or workmanship. This limited warranty does not cover damage due to neglect, wind, snow, fire, misuse or any act of God, nor does this limited warranty cover damage resulting from the canopy not having been securely fastened down nor from improper installation. Harpster of Philipsburg makes no other warranty and the remedy of repair or replacement is the exclusive remedy. Harpster of Philipsburg, is not liable for indirect, incidental or consequential damages in connection with the use of the All Purpose Canopy, including any cost or expense of providing substitute equipment or service during periods of non-use. Any defective canopy or part must be sent, shipping pre-paid, to Harpster of Philipsburg, attention Warranty Department, 408 Airport Road, Philipsburg, Pennsylvania 16866.

EXCLUSION OF WARRANTIES

Harpster of Philipsburg makes no warranties which extend beyond the description on the face hereof. Specifically, the Warranty of Merchantability and the Warranty of Fitness for a Particular Purpose are Excluded. The only WARRANTY which is made by Harpster of Philipsburg is the "THIRTY DAY LIMITED WARRANTY" described above.

COMMERCIAL FRAME PACKING LIST FOR 18' x 40' CANOPY

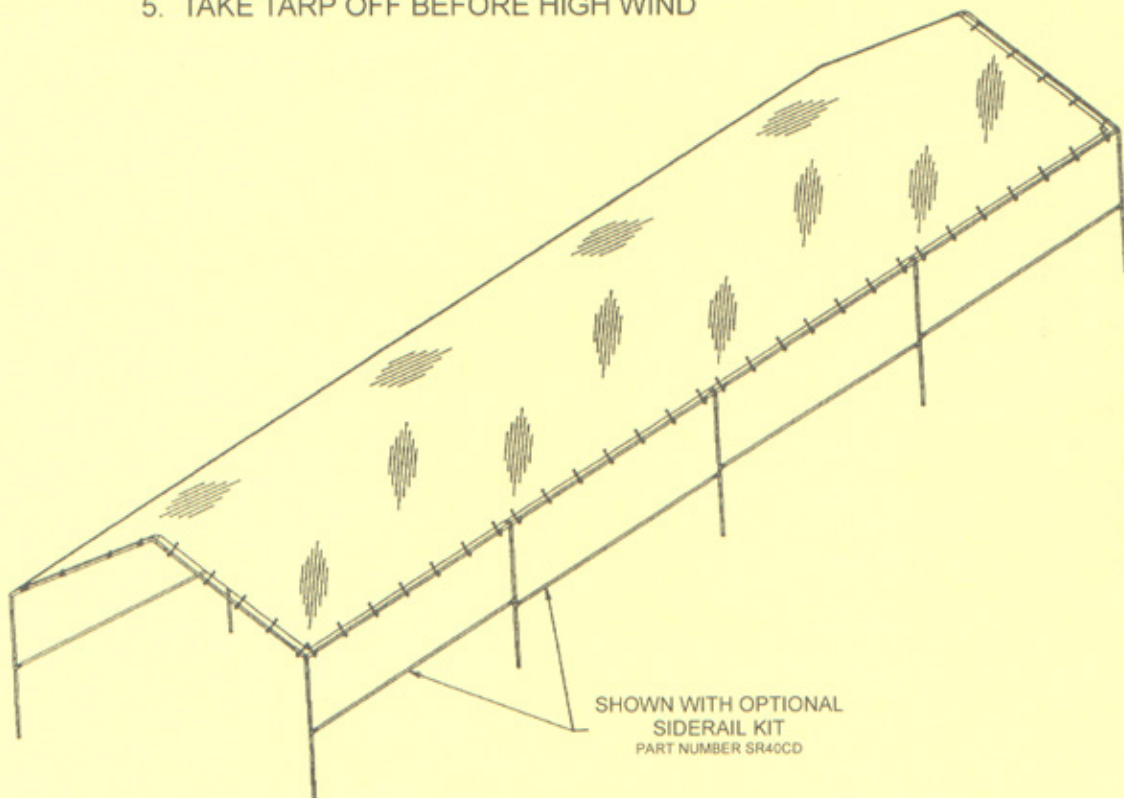
NOTE: Canopy Dimensions Not Exact

<u>QTY</u>	<u>PART No.</u>	<u>DESCRIPTION</u>
1	T2040	TARP FOR 18 X 40
6	E3CD	3 WAY END PIECE
9	C4CD	4 WAY CENTER PIECE
100	BB8	BALL BUNGIES - 8"
10	P611CD	6' 11" GALVANIZED POLES
22	P99CD	9' 9" GALVANIZED POLES

*Poles are 1.660" O. D.

**** NOTES ****

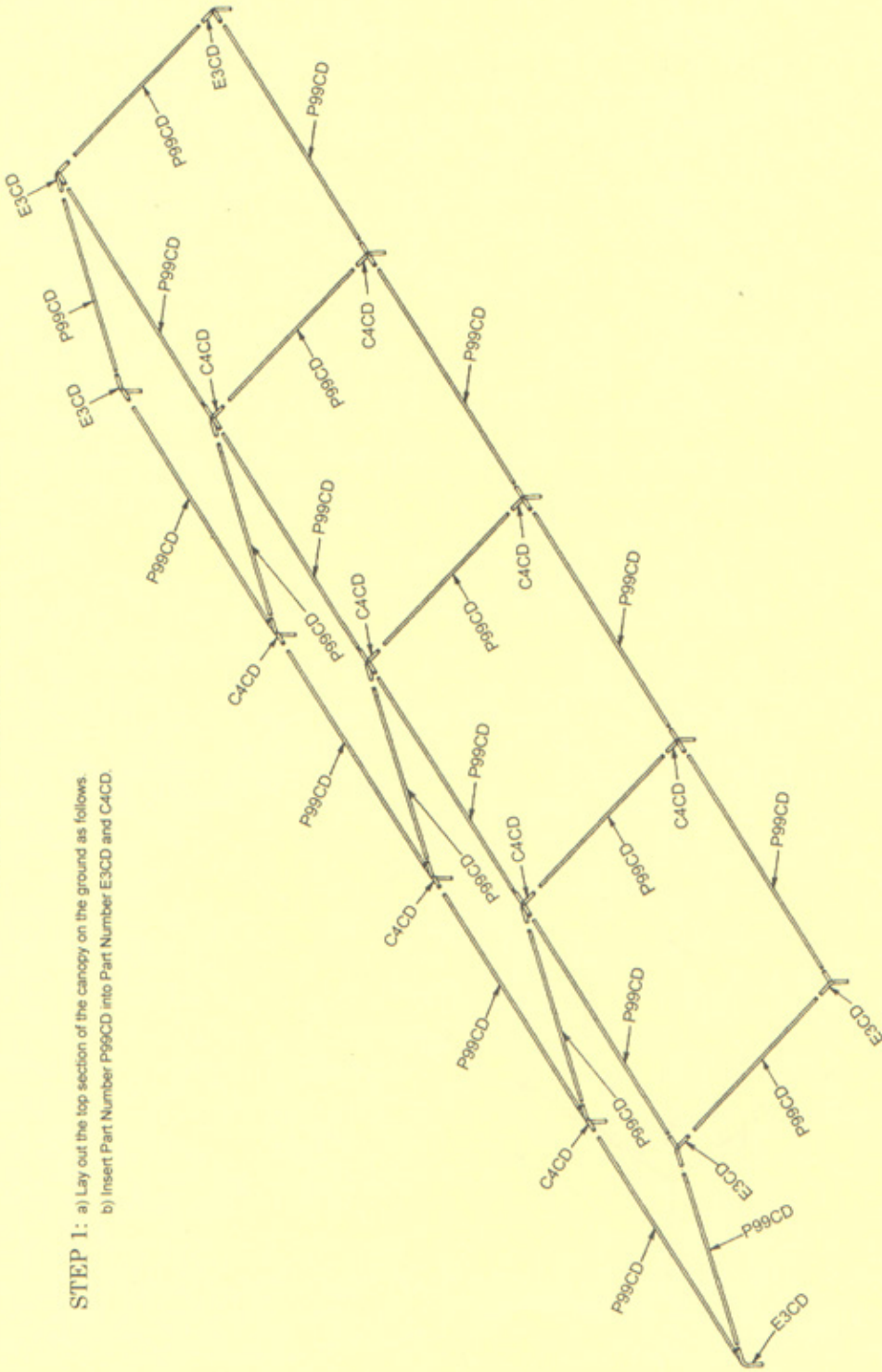
1. READ ALL INSTRUCTIONS BEFORE STARTING ASSEMBLY.
2. CANOPIES MUST BE SECURED DOWN (SEE OPTIONAL DETAILS ON PAGE 4)
3. NOT INTENDED FOR PERMANENT USE
4. TAKE TARP OFF BEFORE HEAVY SNOW
5. TAKE TARP OFF BEFORE HIGH WIND



ASSEMBLY OF 18' x 40' CANOPY

Assembly of the canopy should be on a level site and assembled in the following order.

WARNING: DO NOT USE FOR SNOW COVER.



- STEP 1:** a) Lay out the top section of the canopy on the ground as follows.
b) Insert Part Number P99CD into Part Number E3CD and C4CD.

ASSEMBLY OF 18' x 40' CANOPY

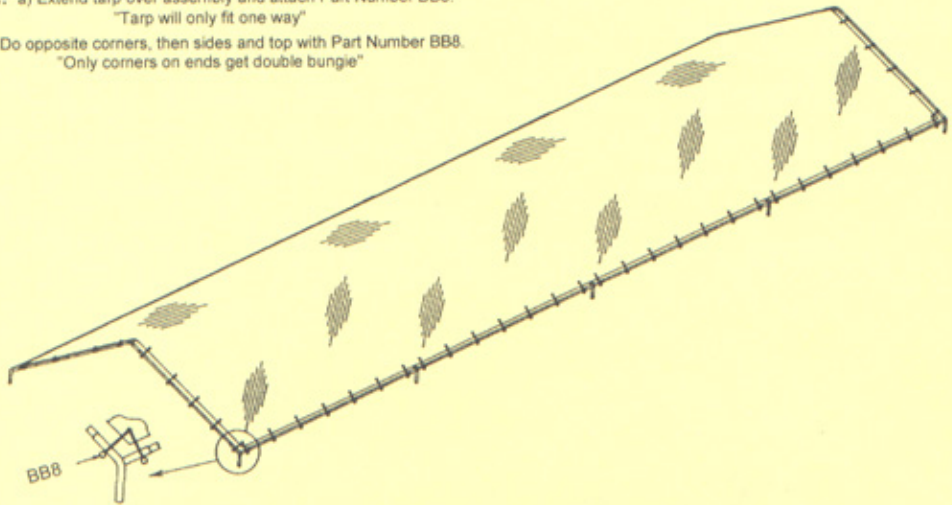
Assembly of the canopy should be on a level site and assembled in the following order.

STEP 2: a) Extend tarp over assembly and attach Part Number BB8.

"Tarp will only fit one way"

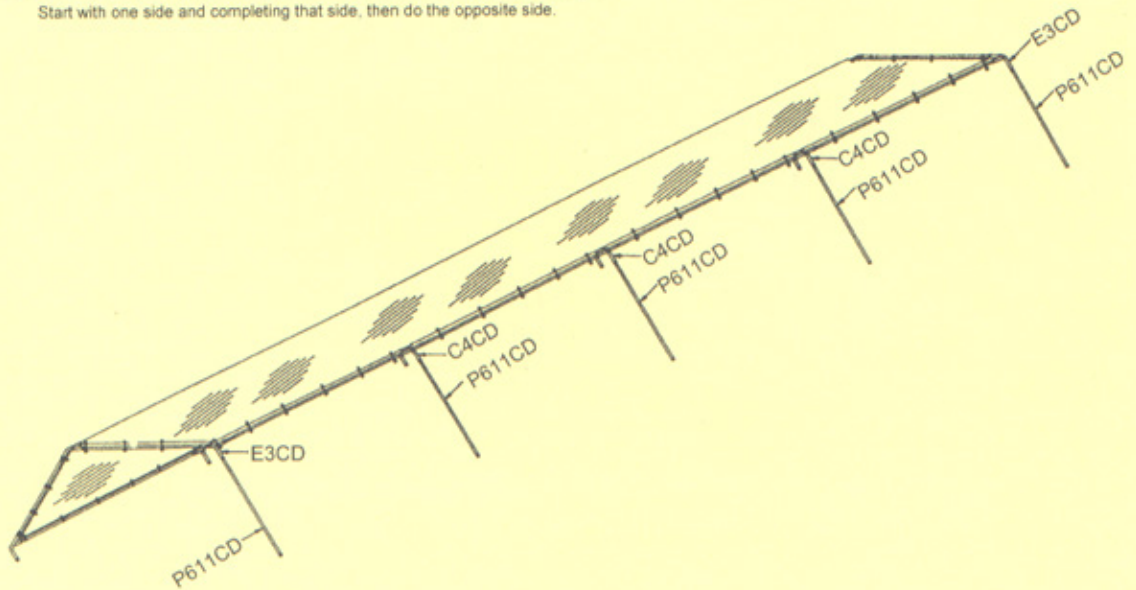
Note: Do opposite corners, then sides and top with Part Number BB8.

"Only corners on ends get double bungle"



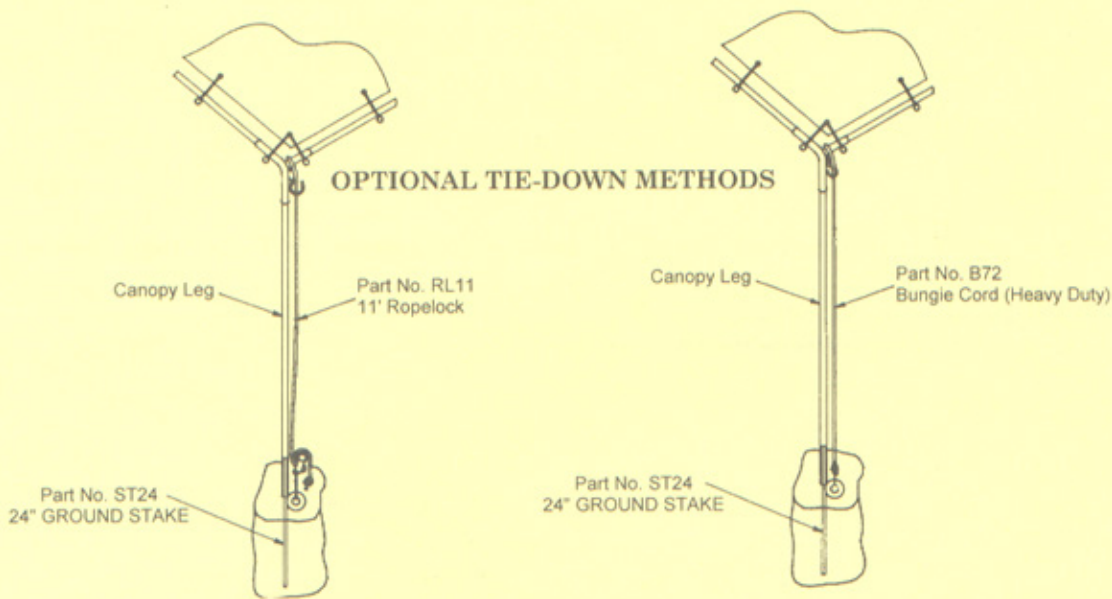
STEP 3: a) Insert Part Number P611CD into Part Number E3CD and C4CD.

Start with one side and completing that side, then do the opposite side.



HELPFUL HINTS ON ASSEMBLY OF THE 18' x 40' CANOPY

1. Pick a good level spot to setup the All-Purpose Canopy.
2. If the tarp does not fit check the following:
 - a) Make sure poles are pushed firmly into all the 3-way end pieces and 4-way center pieces.
3. Remove tarp or take down canopy before (SNOW & WIND STORMS) this will keep the tarp and poles in good condition.
4. Make sure canopy is secured from the 3-way ends and 4-way centers down to the ground.
5. When putting legs on, start with the three center legs. The canopy will balance on those three legs, and complete that side. Do the same for the other side.
6. Enjoy!!



ALL PURPOSE CANOPY THIRTY DAY LIMITED WARRANTY

Harpster of Philipsburg promises to repair or replace the All Purpose Canopy or any part of it within thirty (30) days of purchase if defective in materials or workmanship. This limited warranty does not cover damage due to neglect, wind, snow, fire, misuse or any act of God, nor does this limited warranty cover damage resulting from the canopy not having been securely fastened down nor from improper installation. Harpster of Philipsburg makes no other warranty and the remedy of repair or replacement is the exclusive remedy. Harpster of Philipsburg is not liable for indirect, incidental or consequential damages in connection with the use of the All Purpose Canopy, including any cost or expense of providing substitute equipment or service during periods of non-use. Any defective canopy or part must be sent, shipping pre-paid, to Harpster of Philipsburg, attention Warranty Department, 202 Airport Road, Philipsburg, Pennsylvania 16866.

EXCLUSION OF WARRANTIES

Harpster of Philipsburg makes no warranties which extend beyond the description on the face hereof. Specifically, the Warranty of Merchantability and the Warranty of Fitness for a Particular Purpose are Excluded. The only WARRANTY which is made by Harpster of Philipsburg is the "THIRTY DAY LIMITED WARRANTY" described above.

www.harpster-canopies.com

Harpster of Philipsburg, Inc. • P.O. Box 429 • 202 Airport Road • Philipsburg, PA 16866 Phone: (814) 342-2930 • Fax (814) 342-4193 • Email: sales@harpster-canopies.com

PAGE 4