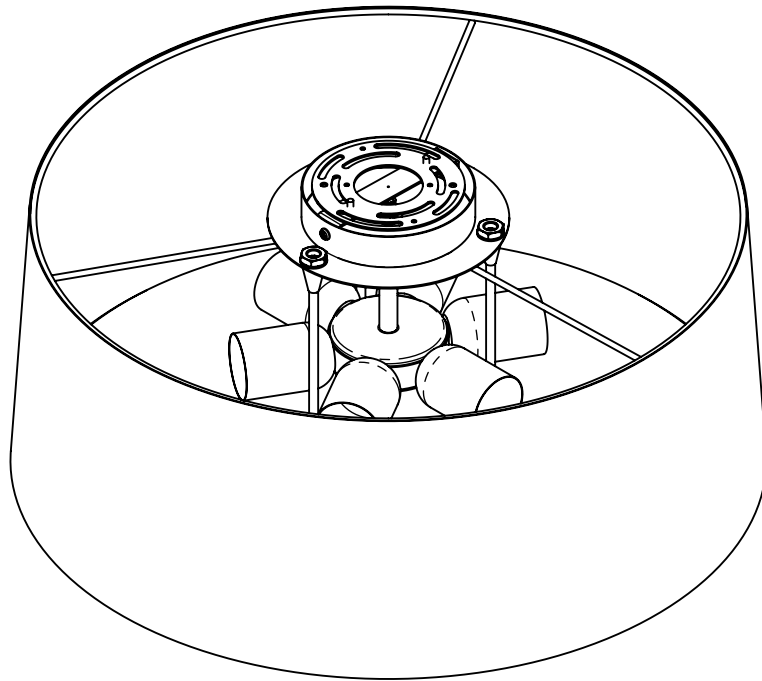


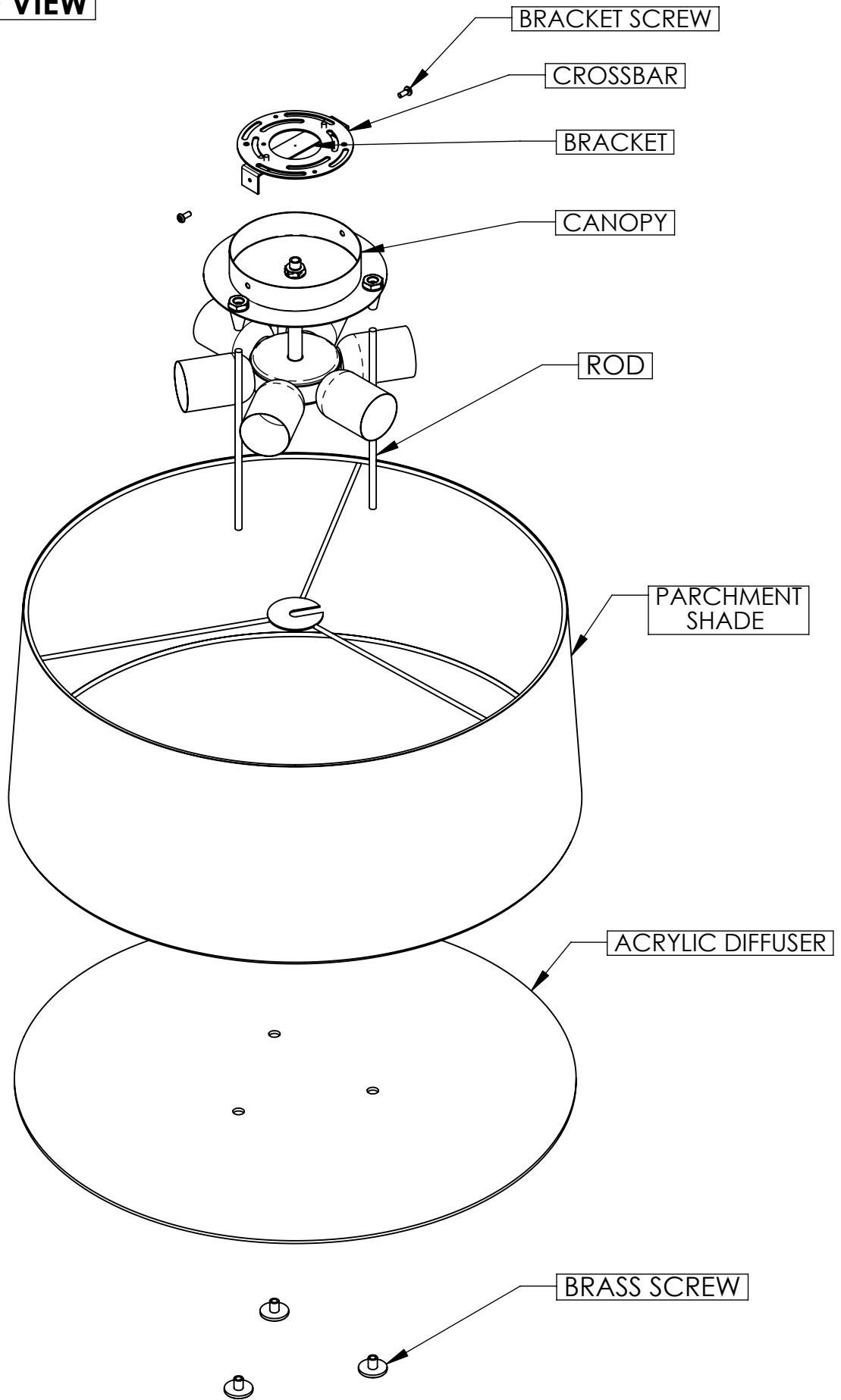
PARCHMENT FLUSH

Installation Instructions



Assembled View

EXPLODED VIEW



1. Disconnect the power.
2. Remove the Crossbar from the Canopy by unscrewing the Canopy Screws.
3. Attach the Crossbar to the Junction Box using the Crossbar Screws.
4. Route the electrical wires through the Crossbar and into the Junction box then connect them.
5. Reattach the Crossbar to the Canopy.
6. Insert the bulbs into the Sockets.
7. Remove the Brass Screws from the Rods.
8. Remove the Set Screws from the Rod Bases. (FIG. A)
9. Insert the Rods into the bases.
10. Lock the Rods in place using the Set Screws.
11. Attach the Parchment Shade to the Frame above the Sockets. (FIG. B)
12. Attach the Acrylic Diffuser to the Rods by sliding the Rods through the small holes.
13. Reattach the Brass Screws to the Rods.
14. Reconnect the power and enjoy your new fixture!

FIG. A

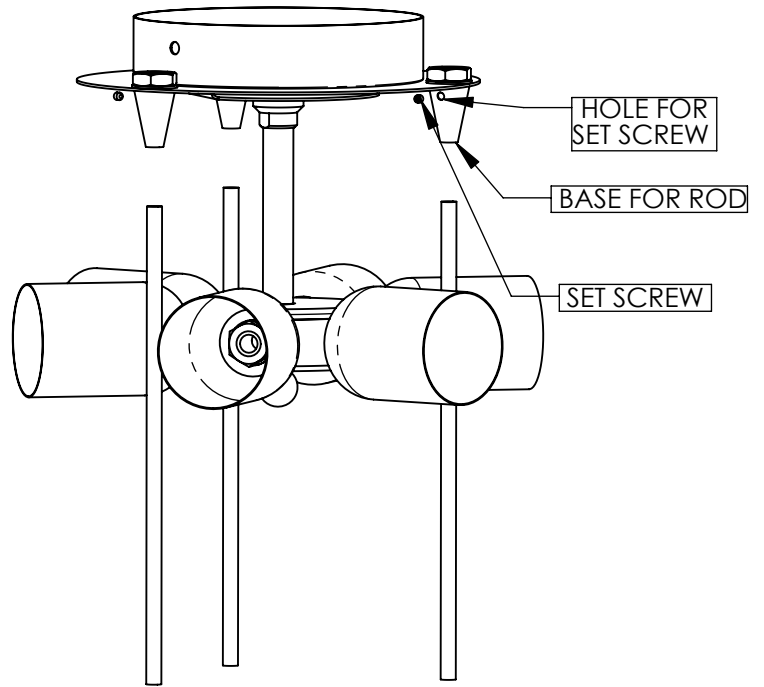


FIG. B

