

PORCHER®

Installation Instructions

STEMMA WALL MOUNT FAUCET 5339.451 IN-WALL LAVATORY FITTING

Thank you for selecting Porcher Products.

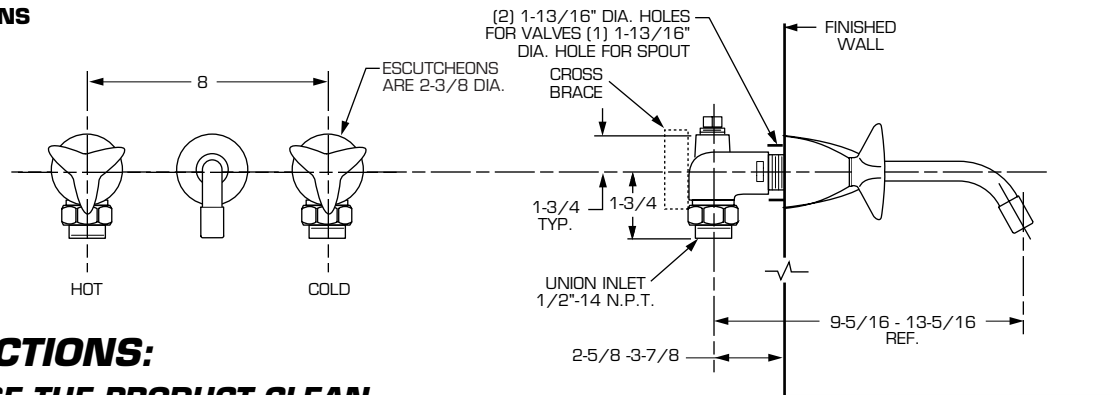
To ensure that your installation proceeds smoothly—please read these instructions carefully before you begin.



Certified to comply with ASME A112.18.1M
U.S. Patent No. 5,819,789

M968758E

ROUGHING-IN DIMENSIONS



CARE INSTRUCTIONS:

DO: SIMPLY RINSE THE PRODUCT CLEAN WITH CLEAR WATER. DRY WITH A SOFT COTTON FLANNEL CLOTH.

DO NOT: CLEAN THE PRODUCT WITH SOAPS, ACID, POLISH, ABRASIVES, HARSH CLEANERS, OR A CLOTH WITH A COARSE SURFACE.



HOTLINE FOR HELP

For toll-free information and answers to your questions, call:
1 (800) 359-3261
Weekdays 8:00 to 7:00 p.m. EST
IN CANADA 480-961-5353

Product names listed herein are trademarks of Porcher, Ltd.
©Porcher, Ltd.2001

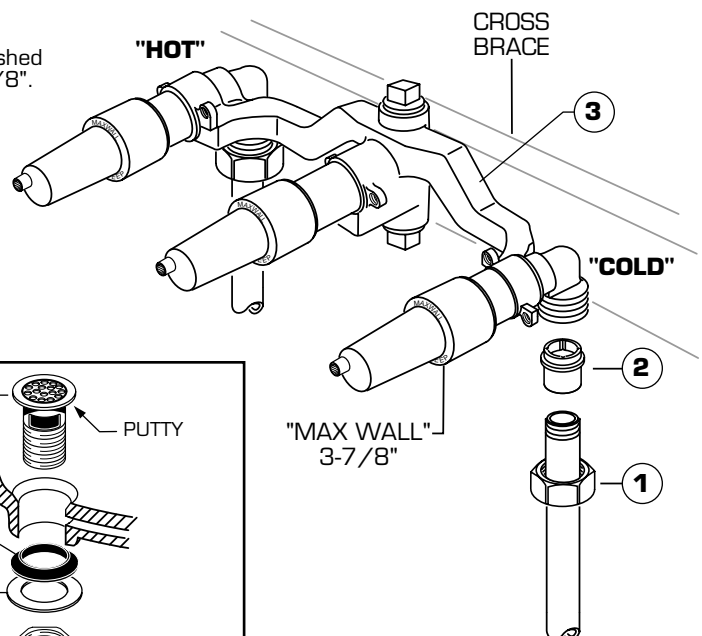
1

CAUTION

Turn off hot and cold water supplies before beginning.

ROUGHING-IN FITTING

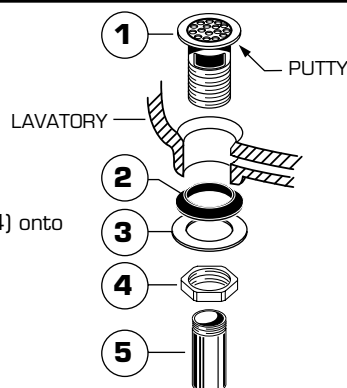
- Install VALVE BODY (3) at indicated height and depth. Notice that finished wall has to be between the MAX. WALL 3-7/8 and MIN. WALL 2-5/8.
- Prepare water supplies per "Roughing-in Dimensions."
- Slip COUPLING NUT (1) over supply pipe and screw UNION SWIVEL (2) to pipe.
- For Sweat Connection: Slip COUPLING NUT (1) over 5/8" O.D. supply tube and solder tube into UNION SWIVEL (2) or female inlet of valve.
- Connect HOT water supply to left VALVE inlet and COLD water supply to right VALVE inlet. Tighten both COUPLING NUTS (1) firmly. Secure VALVE BODY (3) to cross brace of wall structure.



2

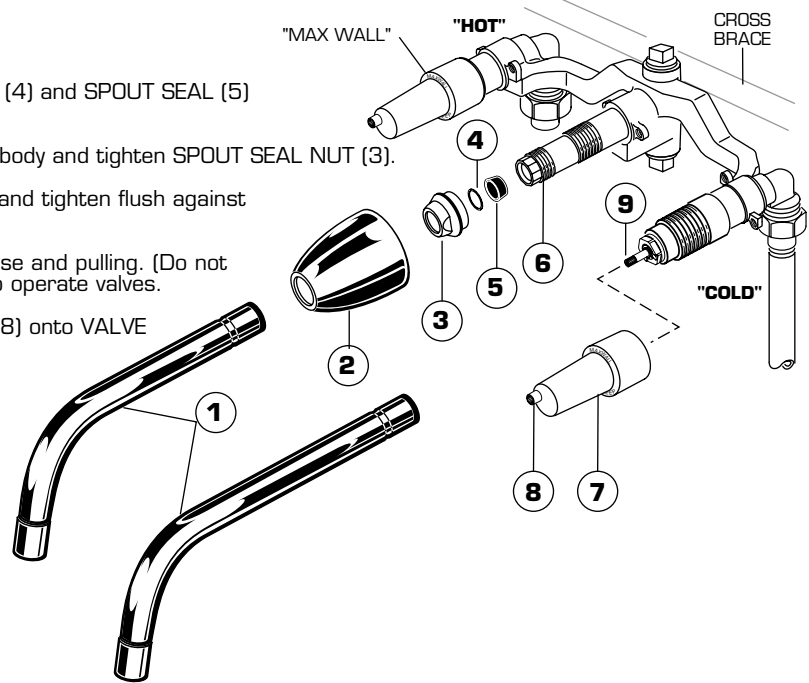
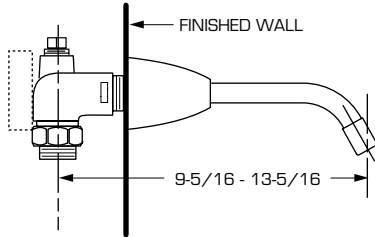
DRAIN INSTALLATION

- Apply a bead of PUTTY to underside of FLANGE on DRAIN BODY (1)
- Feed DRAIN BODY (1) down through lavatory.
- Assemble GASKET (2) WASHER (3) and LOCKNUT (4) onto DRAIN BODY (1). Tighten LOCKNUT (4) firmly.
- Assemble TAILPIECE (5) to DRAIN BODY (1).



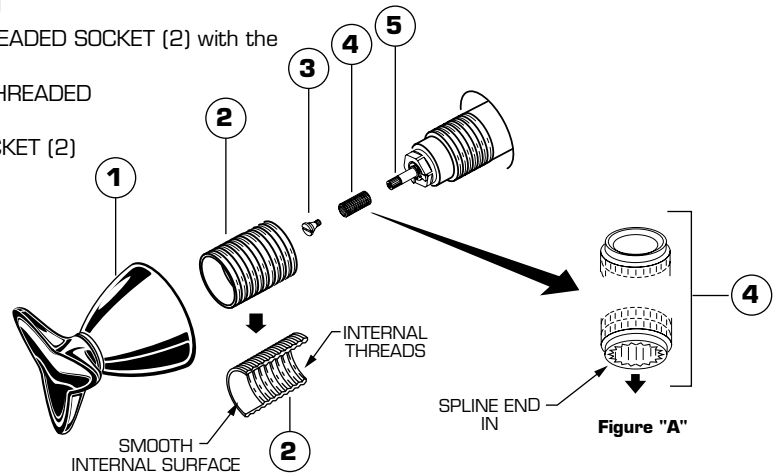
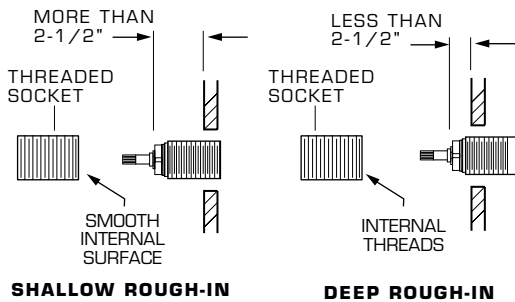
3 INSTALL SPOUT

- ESCUTCHEON (2) SPOUT SEAL NUT (3) BRASS WASHER (4) and SPOUT SEAL (5) onto desired SPOUT (1).
- Insert spout end into center mounting SHAFT (6) of valve body and tighten SPOUT SEAL NUT (3).
- Install ESCUTCHEON (2) onto SPOUT SEAL NUT (3) and hand tighten flush against finished wall.
- Remove PLASTER GUARDS (7) by turning counter clockwise and pulling. (Do not discard). PLASTER GUARD (7) has a STEM SOCKET (8) to operate valves.
- Turn PLASTER GUARD (7) over and push STEM SOCKET (8) onto VALVE STEM (9). Open hot and cold valves and check for leaks.
- Close both valves, turn off water supplies and replace PLASTER GUARDS (6). Finish wall construction.



4 INSTALL HANDLES

- Remove PLASTER GUARD by turning counter-clockwise and pulling.
- Push ADAPTER (4) onto VALVE STEM (5), so that the hole of the ADAPTER (4) without spline is facing up. See figure "A". Secure ADAPTER (4) with screw (3)
- If VALVE BODY is roughed in deep, screw the end of the THREADED SOCKET (2) with the internal threads on first.
- If VALVE BODY is roughed in shallow, screw the end of the THREADED SOCKET (2) with the smooth internal surface on first.
- Screw ESCUTCHEON with HANDLES (1) onto THREADED SOCKET (2) and hand tighten flush against finished wall.

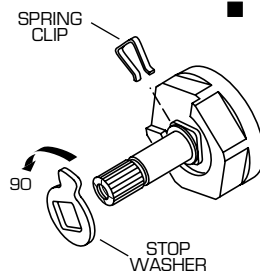


5 TEST INSTALLED FAUCET

- Turn HANDLES into "off" position.
- Turn on water supplies and check all connections for leaks.
- Operate both HANDLES to flush water lines thoroughly.
- Turn handles to OFF position.

6 SERVICE

- To change direction of handle rotation, proceed as follows:
 - Turn valve to OFF position.
 - Unscrew HANDLE BASE and remove HANDLE..
 - Remove SPRING CLIP.
 - Lift STOP WASHER, turn 90° and replace.
 - Replace SPRING CLIP.
 - Reinstall HANDLE. (See step 4).



- If spout drips, operate handles several times from OFF to ON position. Do not force - handles turn only 90°.

PORCHER®

STEMMA WALL MOUNT FAUCET

MODEL NUMBER

5339.451

