

PORCHER®

Installation Instructions

5339.801

STEMMA SPREAD LAVATORY FAUCET

Thank you for selecting Porcher Products.
To ensure that your installation proceeds smoothly—please read these instructions carefully before you begin.

Certified to comply with ANSI A112.18.1M

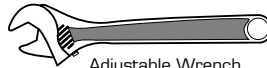
Required Tools

*Wrench

*Supplied with Fitting



Flat Blade Screwdriver



Adjustable Wrench



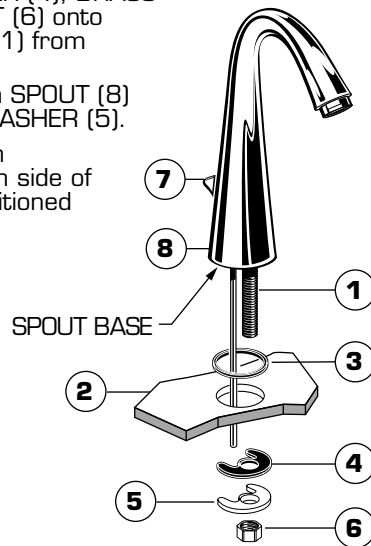
Channel Locks

M968243A

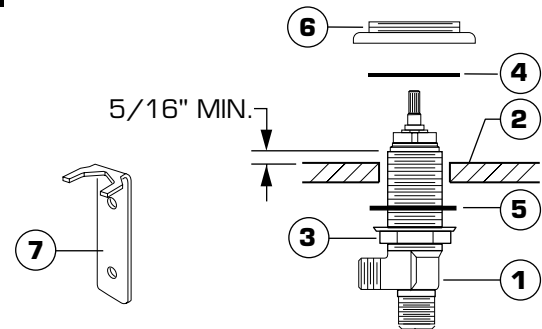
1 SPOUT ASSEMBLY **CAUTION**

Turn off hot and cold water supplies before beginning

- Insert SPOUT SHANK (1) through center hole of SINK (2), making sure SEAL (3) is properly positioned into SPOUT BASE.
- Assemble RUBBER WASHER (4), BRASS WASHER (5) and LOCKNUT (6) onto threads of SPOUT SHANK (1) from underside of SINK (2).
- Insert LIFT ROD (7) through SPOUT (8) and open side of BRASS WASHER (5).
- Align SPOUT (8) and tighten LOCKNUT (6). Be sure open side of BRASS WASHER (5) is positioned to the rear as shown.



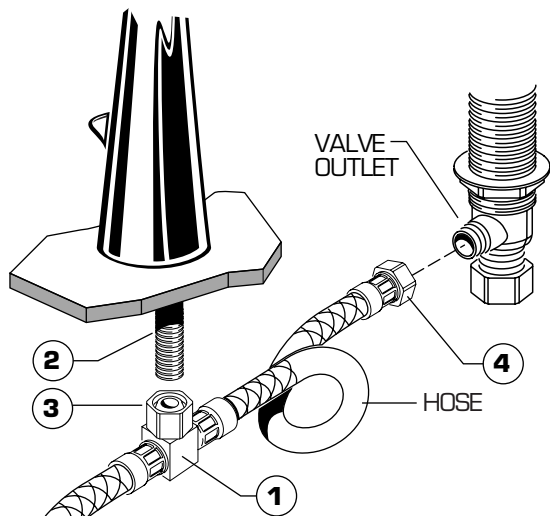
2 VALVE INSTALLATION



- Insert VALVE BODY (1) through hole from underside of SINK (2). Threads of VALVE BODY (1) should extend at least 5/16 inch above SINK (2) top. If necessary, adjust LOCKNUT (3). Make sure RUBBER WASHER (5) is installed.
- Place RUBBER RING (4) over VALVE BODY (1). Thread ADAPTERS (6) onto valves until snug against internal stop.
- Set both VALVE BODIES (1) so that their outlets are facing toward center of sink and then tighten LOCKNUT (3) using WRENCH (7) supplied with faucet.

3 TEE AND HOSE INSTALLATION

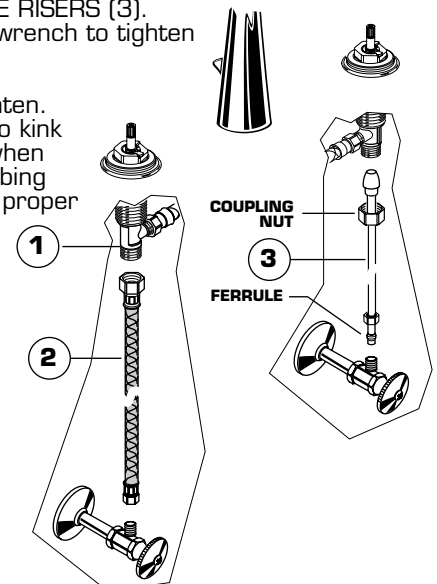
- Connect TEE (1) to SPOUT SHANK (2). Tighten COUPLING NUT (3).
- Connect COUPLING NUTS (4) of HOSE to each valve outlet and tighten securely.



4 MAKE WATER SUPPLY CONNECTIONS

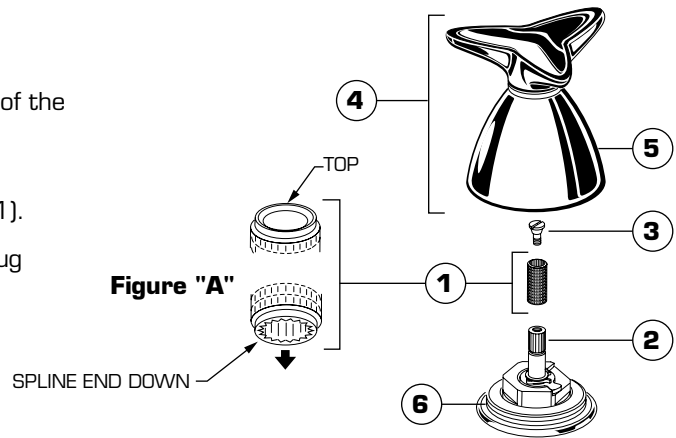
NOTE: FLEXIBLE SUPPLIES OR BULL-NOSE RISERS MUST BE PURCHASED SEPARATELY.

- Connect water supply to FAUCET (1) with 1/2" IPS FLEXIBLE SUPPLIES (2) or 3/8" O.D. BULL-NOSE RISERS (3). Use adjustable wrench to tighten connections.
- Do not over tighten. Be careful not to kink copper supply when bending. Use tubing cutter to cut to proper length.



5 INSTALL HANDLES

- Push ADAPTER (1) on VALVE STEM (2), so that the hole of the ADAPTER (1) without spline is facing up. See Figure "A".
- Secure ADAPTER (1) with ADAPTER SCREW (3).
- Align HANDLE ASSEMBLY (4) and push onto ADAPTER (1).
- Thread HANDLE BASE (5) onto DECK ADAPTER (6) until snug against mounting ledge.



6 INSTALL POP-UP DRAIN

- Push Tail piece (11) down into Trap (C) (threaded end up).
- Thread Locknut (5), Washer (4) and Gasket (3) (Bevel side up) onto Drain Body (10).
- Apply a bead of Putty (D) to underside of Flange (2) or (2A).
- Feed Drain Body (10) up through Sink (A) and thread the Flange (2) or (2A) fully onto Drain Body (10).
- Tighten Locknut (5) firmly, keeping the pivot rod hole pointed towards the back of the sink.
- Assemble Pivot Rod (9) or (9A) as shown in Figure-4B. Notice the position of the Concave Washer (G).
- Insert Pivot Rod (9) or (9A) into Drain Body (10) and tighten Pivot Nut (F).
- Push TAILPIECE INSERT (12) into TAILPIECE (11) and push TAILPIECE up and thread tightly into DRAIN BODY (10).
- Position Extension Rod (7) onto Pop-Up Rod (E) and tighten Thumbscrew (6).
- Remove one end of Clip (8) from Pivot Rod (9) or (9A) by squeezing ends together while sliding.
- Insert Pivot Rod (9) or (9A) into second or third hole in Extension Rod (7) and reassemble Clip (8).
- Drop Stopper (1) into Drain Body (10).
- Adjust stopper height by repositioning Extension Rod (7) and tightening Thumbscrew (6).

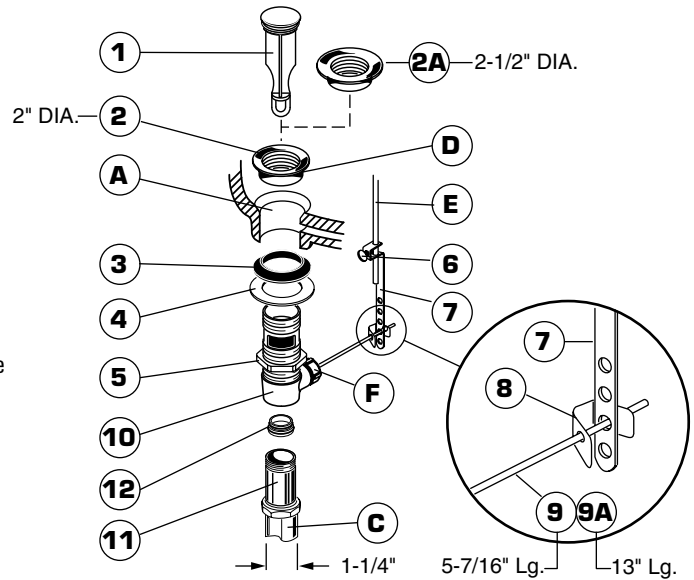
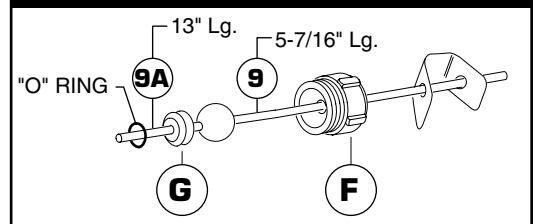
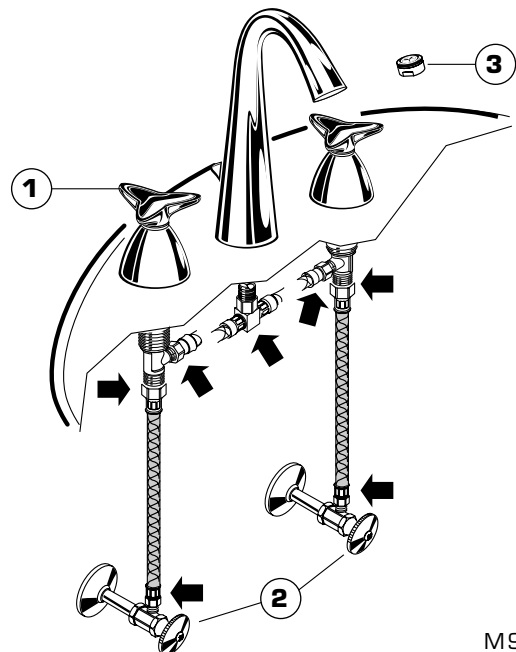


FIGURE-4B:



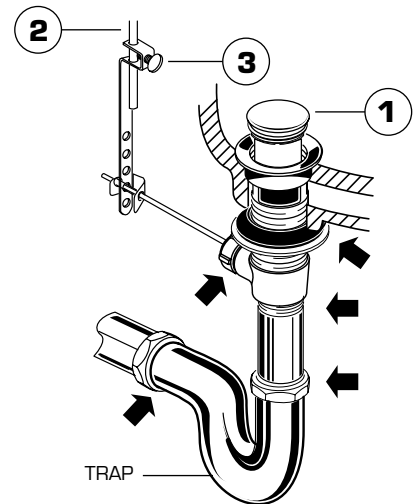
7 TEST INSTALLED FAUCET AND CHECK FOR LEAKS

- With HANDLES (1) in OFF position, turn on WATER SUPPLIES (2) and check all connections for leaks.
- Remove AERATOR (3).
- Operate both HANDLES (1) to flush water lines thoroughly.
- Replace AERATOR (3).



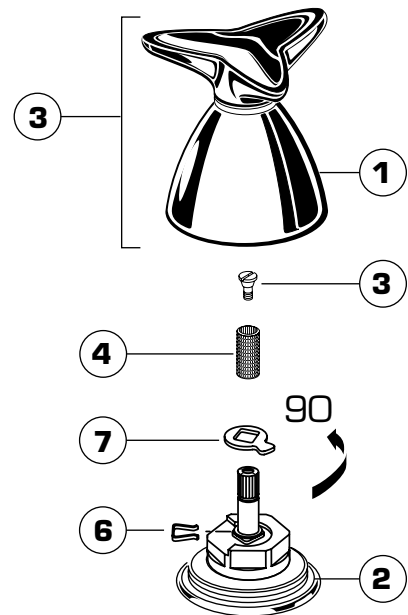
8 CHECK DRAIN CONNECTIONS

- Operate Lift Rod and fill lavatory with water. Check that DRAIN STOPPER (1) makes a good seal and retains water in lavatory. Adjust stopper height by repositioning Lift Rod (2) and tightening Thumbscrew (3).
- Release DRAIN STOPPER (1) and check all drain connections and "P" trap for leaks. Tighten if necessary.



9 SERVICE

- To change direction of handle rotation, proceed as follows:
- Turn valve to OFF position.
- Unscrew HANDLE BASE (1) from DECK ADAPTER (2) and pull HANDLE ASSEMBLY (3) up off of ADPATER (4).
- Remove SPRING CLIP (6).
- Lift STOP WASHER (7), turn 90° and replace.
- Replace SPRING CLIP (6).
- Reinstall HANDLE ASSEMBLY (3).
- If spout drips, operate handles several times from OFF to ON position. Do not force - handles turn only 90°.



10 CARE INSTRUCTIONS:

- To keep your new faucet looking new, please follow these simple care instructions:
 - DO:** ■ Simply rinse the faucet clean with clear water.
 - Dry the faucet with a soft cotton cloth.
 - DO NOT:**
 - Do not use any abrasive cleaners, cloths, or paper towels.
 - Do not use any cleaning agents containing acids, polish abrasives, or harsh cleaners or soaps.

Regular and routine cleaning will reduce the need for heavy cleaning and polishing. If heavy cleaning is required, the following procedures are recommended:

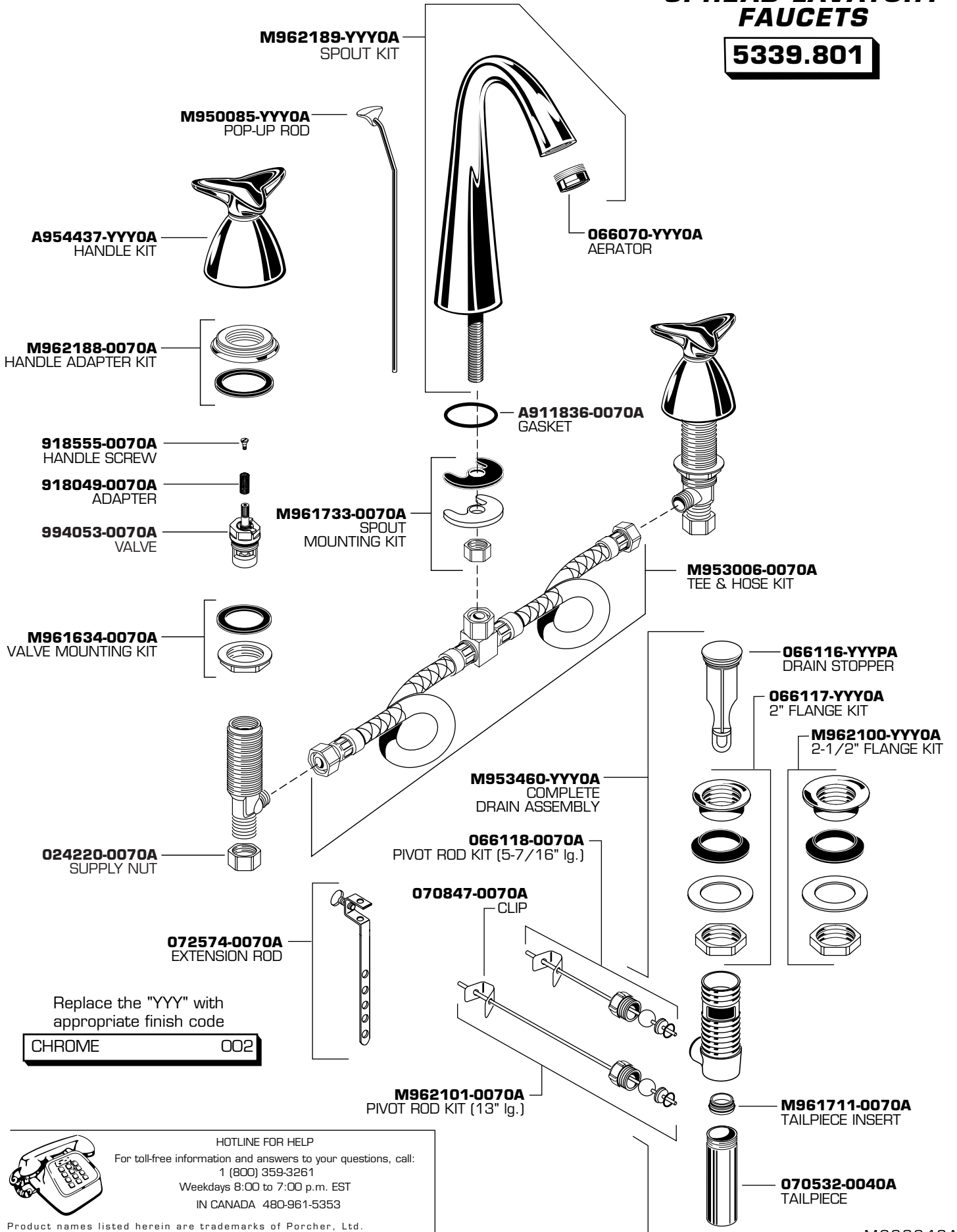
Remove as much surface dirt and film using clear water and soft cotton cloth (as described above).

- Use any of the following to remove tough surface film and build-up:
 - Mild liquid detergents
 - Clear liquid glass cleaners without Ammonia.
 - Non-acidic, non-abrasive gentle liquid or fully dissolved powder cleansers mixed according to manufacturers directions.
 - Non abrasive liquid polishers

Once clean, rinse faucet again with clear water to thoroughly remove cleaner or polish and blot dry with a cotton cloth.

Failure to follow these care instructions may damage the Faucet's finish.

M968243A



HOTLINE FOR HELP

For toll-free information and answers to your questions, call:
1 (800) 359-3261
Weekdays 8:00 to 7:00 p.m. EST
IN CANADA 480-961-5353