

INSTALLATION DIMENSIONS

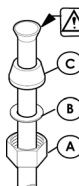
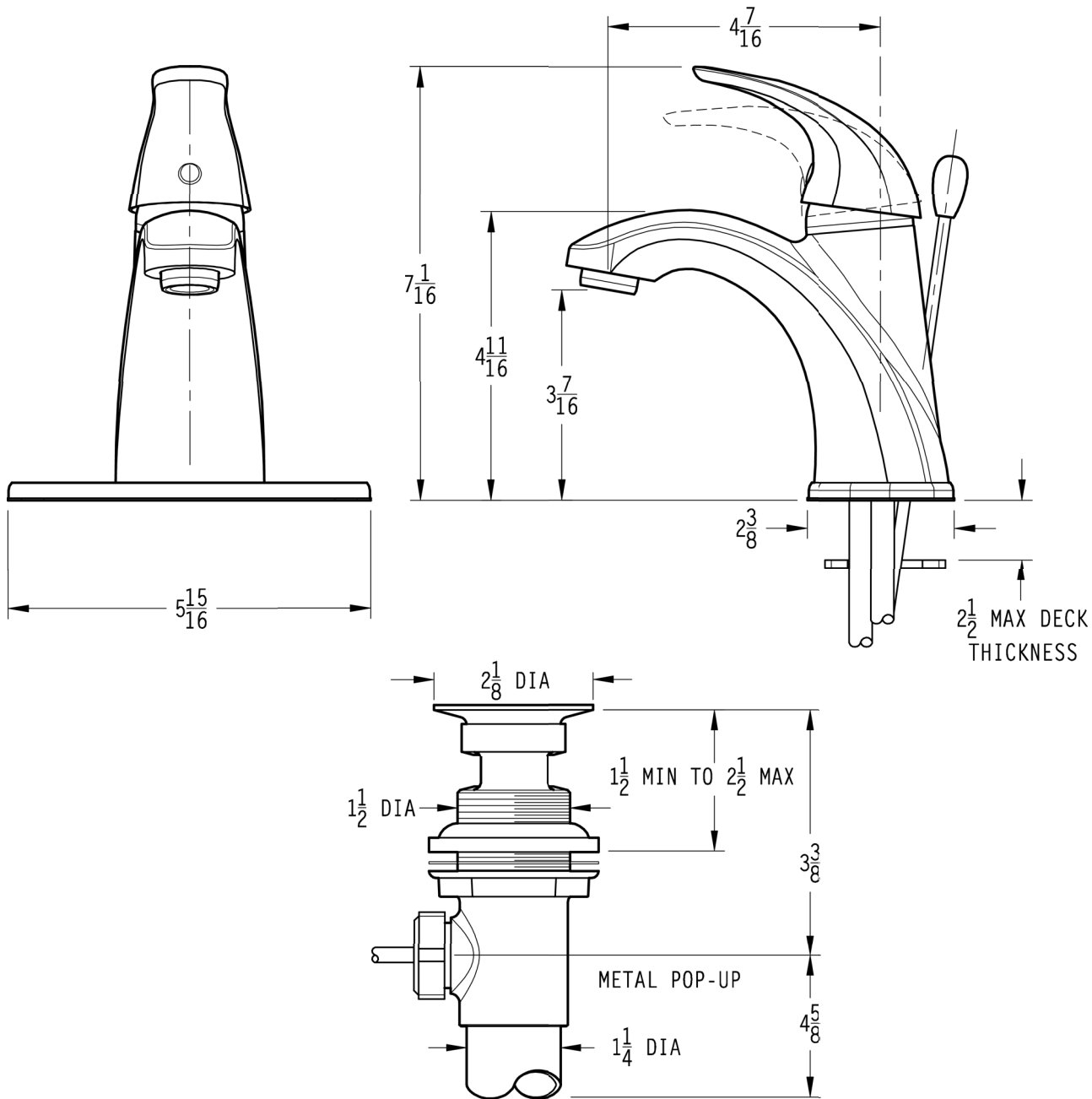
Critical Dimensions:

Inlet Connection	1/2-14 NPSM
Minimum Hole Size	1 1/8 Dia Thru Hole
Valve Centerline to Back Splash	2 3/16 Min.

42 Series

PARISA™

4" Centerset Lavatory Faucet



CAUTION:

When using the compression fittings in this package, with these types of installations, the installer must flare or bead the water supply lines to avoid blow-out conditions. Avoiding such steps in the installation of the unit may result in water damage.

Connect inlet supply lines by assembling brass supply nut (A), friction ring (B) and cone washer (C) onto 3/8" O.D. straight copper tube. Bead or flare. Wrench tighten.

Dimensions are in Inches

1-800-PFAUCET www.pricepfister.com
 19701 DaVinci, Lake Forest, CA 92610
 10/27/06

Price Pfister®
 Pfreshest Ideas in Pfaucets.