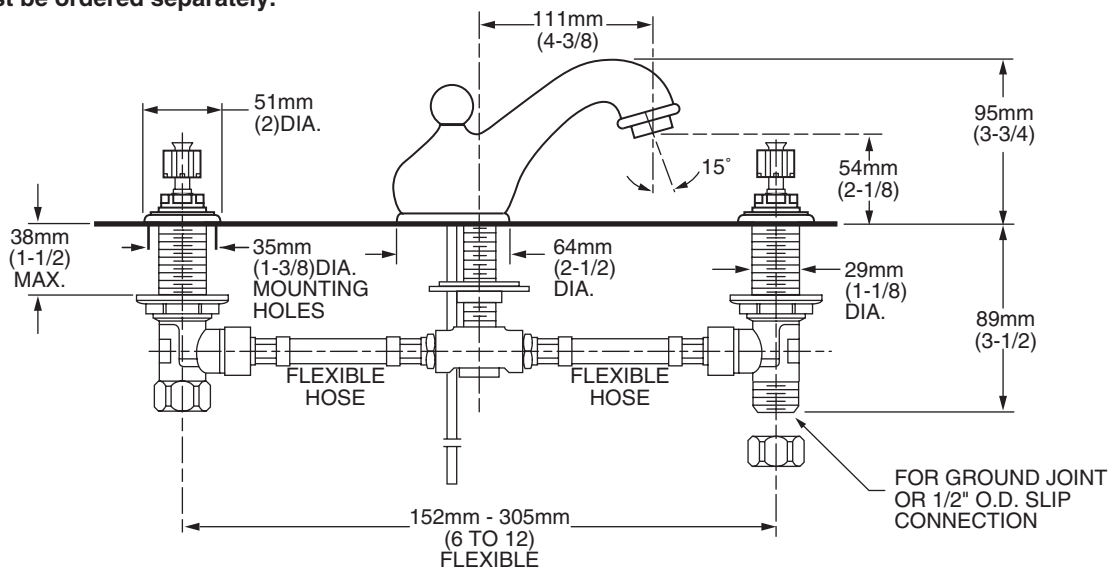


MODEL NUMBER:

- ❑ **3801.000 Widespread Lavatory**
 Pop-up drain. Less handles.

Handles must be ordered separately.

Handles must be ordered separately.



GENERAL DESCRIPTION:

Cast brass valve bodies with reinforced flexible hose connections for 6" to 12" (152mm to 305mm) installations. Amarilis 1/4 turn washerless ceramic disc valve cartridges - reversible for use with either lever or cross handles. Cast brass spout. One-half inch male inlets with brass coupling nuts. Brass mounting nuts. All brass drain body with 1-1/4" (32mm) tailpiece. 2.2 gpm/8.3L/min. maximum flow rate.

PRODUCT FEATURES:

Brass Construction: Durable. Ideal for prolonged contact with water. Provides the finest surface for application of all finishes.

Ceramic Disc Valve Cartridges: Assures a lifetime of drip-free performance.

Low Lead: Meets NSF Standard 61/Section 9 & Prop 65 lead requirements.

Flex Set Packaging: Full range of interchangeable handle styles.

Choice of Finishes: Wide range of durable finishes.

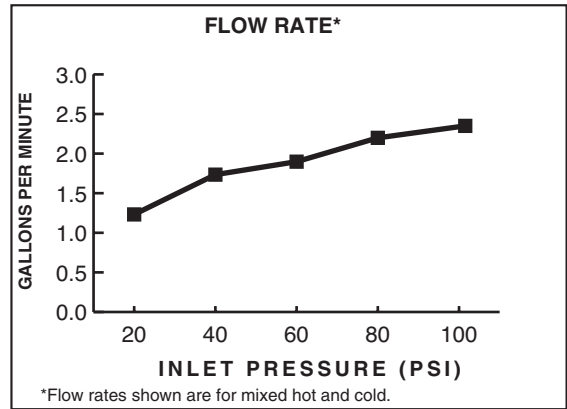
SUGGESTED SPECIFICATION:

Two handle widespread lavatory faucet shall feature cast brass valve bodies with reinforced flexible hose connections for 6" to 12" installations. Shall feature all brass mounting nuts and coupling nuts. Shall also feature 1/4 turn washerless ceramic disc valve cartridges that are reversible for use with cross or lever handles. Fitting shall be American Standard Model # 3801.000.____ and handle kit # 0000.____.

CODES AND STANDARDS

These products meet or exceed the following codes and standards:

- ASME A112.18.1**
- CSA B 125**
- NSF 61/Section 9**



Product Number	Description	Finish Options*							
		Polished Chrome	Polished Nickel	PVD Blackened Bronze	PVD Polished Brass	PVD Satin /Chrome Mix	PVD Satin Nickel	PVD Satin /Brass Mix	P Chrome /PVD Brass Mix
		002	008	068	099	221	295	297	299
3801.000	Lavatory faucet. Pop-up drain. Less handles.								

Handles must be ordered separately.

To order **Less Handles** - Specify: 4 digit Style number followed by three zeros and 3 digit finish number.
 Example 3801.000.002 = Lavatory faucet with pop-up drain in Polished Chrome finish.

The above fittings will accept the following Amarelis-Series handles.

452	442	462	432	552	542	572	902 912	862

Meets the American Disabilities Act Guidelines and **ANSI A117.1** Requirements for the physically challenged.

***EverClean™ Finish:**

- Offered on Polished Chrome (002), Polished Brass (099) and Satin Nickel (295) finish. (and any combination of these finishes)
- One wipe effortlessly removes spots.
- Eliminates the need for cleaners and scrubbing.