

Single-Fold Ramps  
Multi-Fold Ramps  
Extended Reach Ramps



Read manual thoroughly before attempting to install or operate.

This manual has been provided to assist you with proper installation and operation. For further assistance please contact your authorized Harmar Mobility dealer or Harmar's Technical Services department.

Tel: 800.833.0478

Fax: 866.234.0478

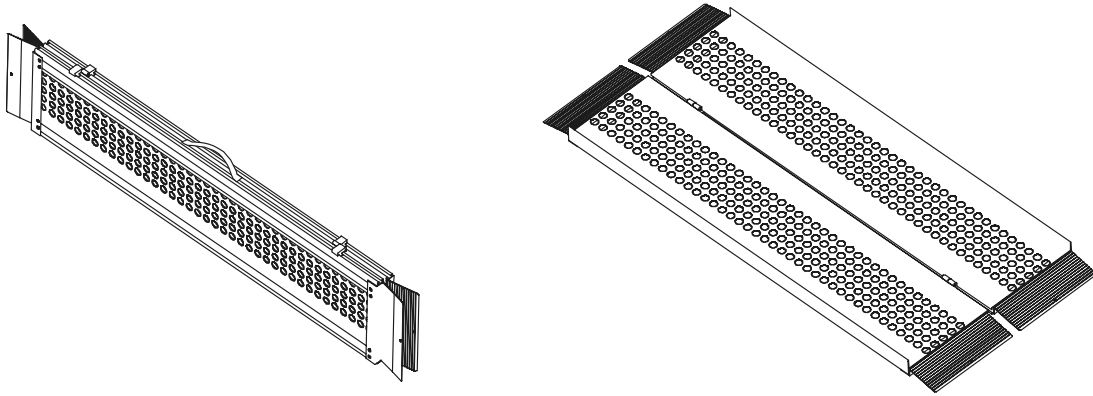
Email: [tech@harmar.com](mailto:tech@harmar.com)

Dealer:

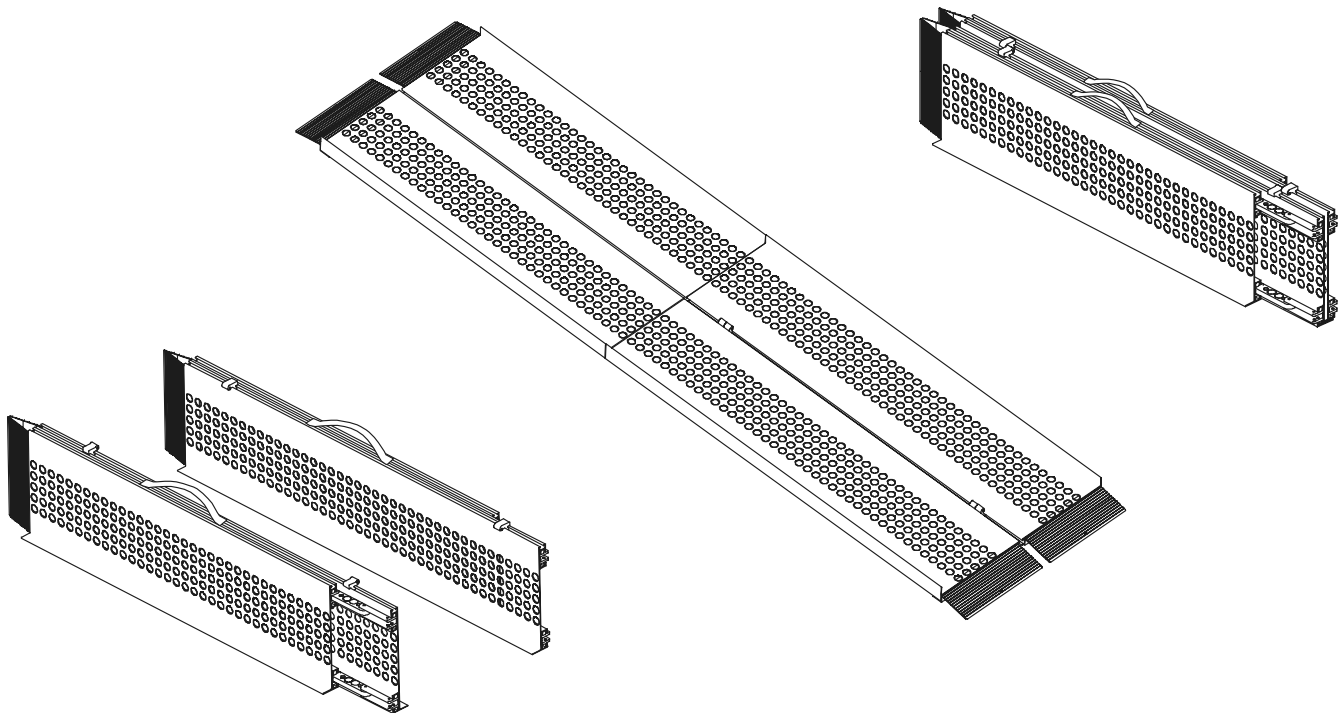
Serial Number:

# General Information

**Single Fold Ramps** come in 2, 3, 4, 5, and 6' lengths. These ramps are constructed of aluminum so they are light weight and virtually maintenance free. They fold in half lengthwise and have a carrying handle for easy transport.



**Multifold Ramps** come in 6, 7, 8, 10, and 12' lengths and fold in half twice producing a compact package for easy transport. Detachable lengthwise hinges allows these ramp to be transported as a single part or split in two pieces.

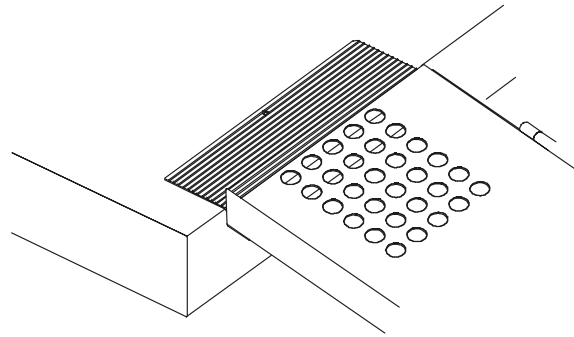


# Safety Procedures

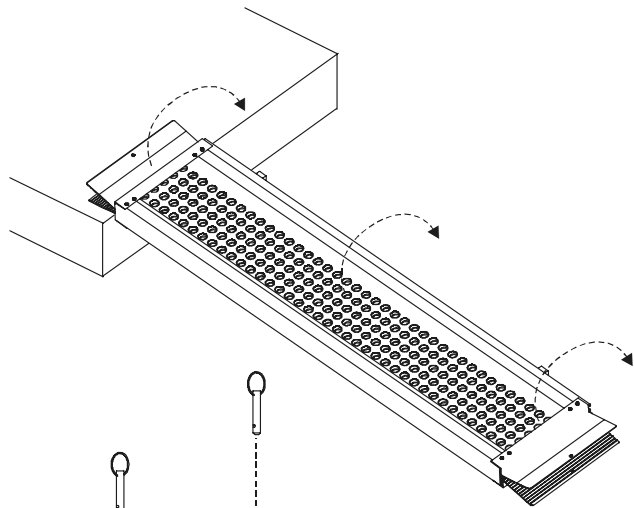
- Before use always check the ramp for any signs of wear or damage. If any problem is noticed DO NOT USE THE RAMP. Immediately contact an Authorized Harmar Mobility Dealer for further instruction. Failure to do so may result in serious injury.
- Use extreme care when folding and unfolding your ramp. Keep fingers and hands clear of all possible pinch points.
- Use caution when unfolding and using your Harmar Ramp; surface may become slippery during certain conditions. Ramp surface should be clean and free of foreign debris before use.
- Before each use, verify that the safety pins at the top of the ramp are securely in place. The flange at the top of the ramp must completely overlap the step or vehicle lip. The bottom of the ramp must rest securely on the ground.
- Inspect fasteners periodically to ensure that they are securely in place.
- Ramp surface may be cleaned with water and mild detergent if necessary.
- Harmar Mobility ramps are designed to deliver mobility devices into access vehicles and buildings. Any other use will void warranty and may result in bodily injury damage to the ramp.
- Harmar ramps may not be altered or modified in any way. Modifications or alterations will void all warranties.
- Children should not use, operate or play on or around the ramp.
- Maximum ramp capacity is 700 pounds.
- Multi-Fold ramps must fully unfolded with the two halves securely connected prior to use.
- Refer to you scooter or power chair manufacturer's guidelines for the maximum recommended degree of incline. Do not exceed recommended guidelines.

# Multi-Fold Ramps

**Orientating the ramp:** The top of each ramp is equipped with a flange that has tread on both sides. Place the folded ramp so that this flange rests on top of the step that you are about to climb. The flange must completely overlap the step.

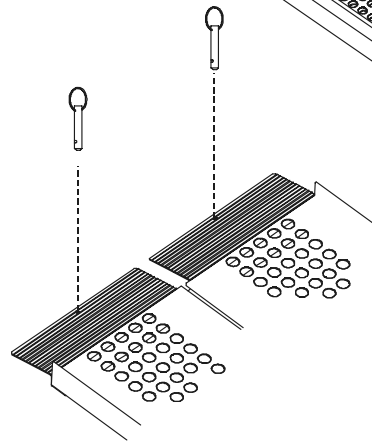


**Unfold the ramp:** Take hold of the top half of the ramp and unfold it in the direction of the hinges.



**Caution:** Pinch points exist along the length wise center of the ramp. Keep your fingers away from this area.

**Secure that ramp in place:** Use the 2 clevis pins supplied with the ramp to secure the ramp in place. (you will need to drill 2 holes in the step to accept the pins)



The ramp is now ready for use.

**Caution:** Read the portable safety Procedures before using your ramp

