














# NEW Middle Back Hinge Design.

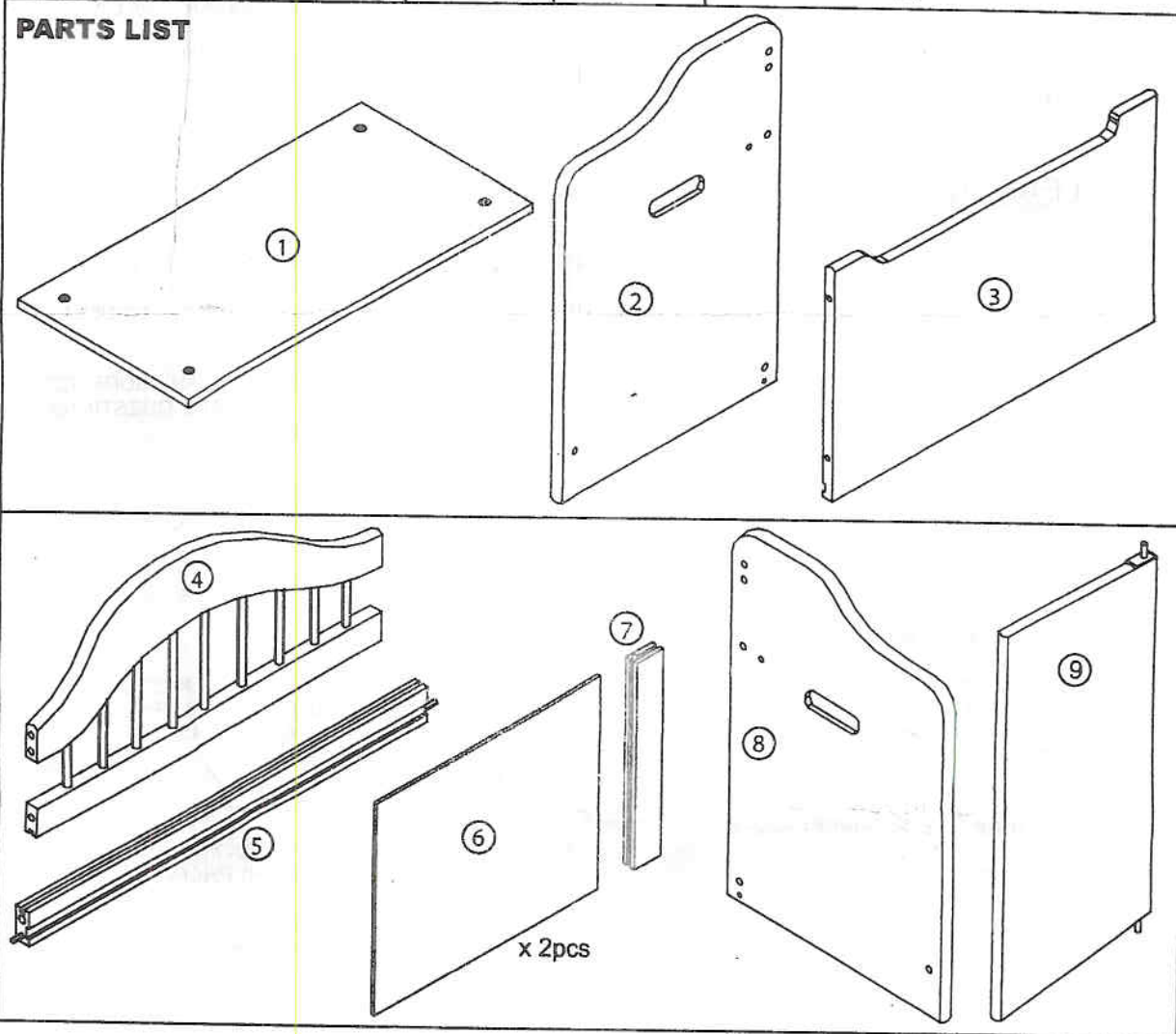


## Limited Edition Toy Chest Assembly Instructions

# 14101 -14181

HARDWARE						
A. Cross Dowel Bolt x 10 pcs 	B. Cross Dowel Nut x 10 pcs 	C. Screw x 2 pcs 	D. Spring Washer x 4 pcs 	E. Wood Dowel x 2 pcs 	F. Small Washer x 2 pcs 	G. Large Washer x 4 pcs 
H. Caster x 4 pcs 	I. Lid Hinge x 1 pc 	J. Bolt x 2 pcs 	K. Nut x 2 pcs 	Allen Wrench x 1 pc 	Wrench x 1 pc 	

### PARTS LIST



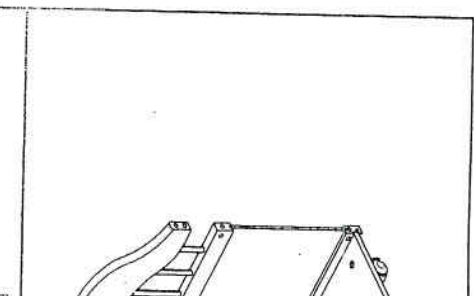
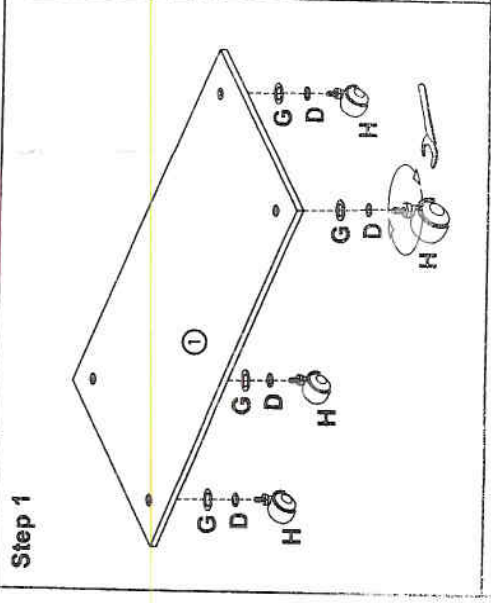
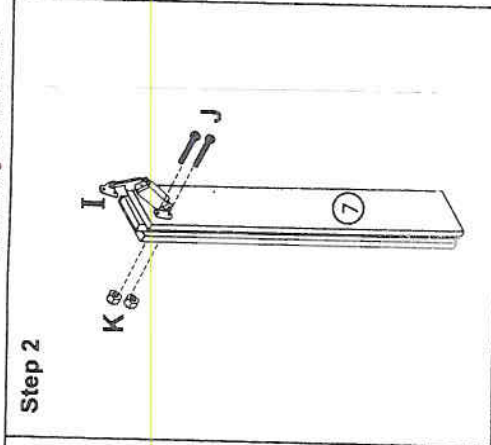
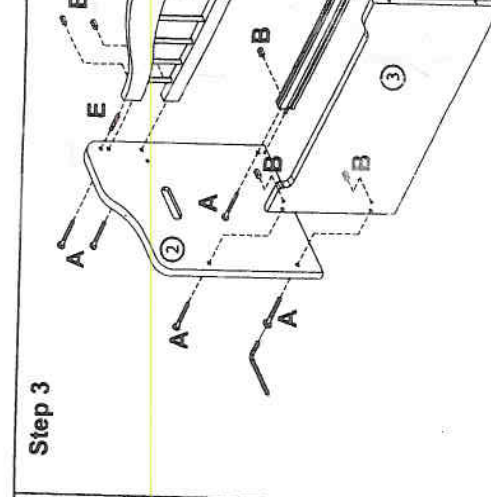
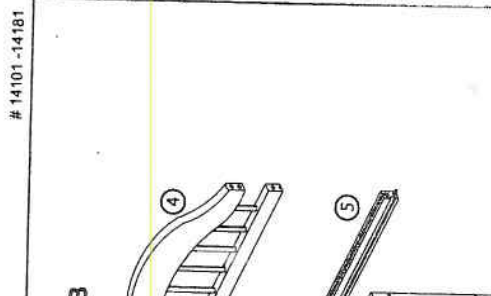
Customer Service 1-800-933-0771



# Limited Edition Toy Chest

Assembly Instructions

# 14101 -14181



**CAUTION: ADULT ASSEMBLY REQUIRED**

- Unassembled hardware in this package may be a choking hazard to children. Hardware may contain sharp points and sharp edges. Keep away from children until assembled.
- Do not allow children to play inside with lid closed. In certain situations, sufficient air may not be available for breathing.
- **IMPORTANT:** Lid Support may make Part B must be installed properly (Step 2 & Step 7) or a head/neck entrapment may exist. Check to make sure the Lid Support is properly installed by moving it back and forth. When you let up of the lid it should stop, not fall or slam shut.

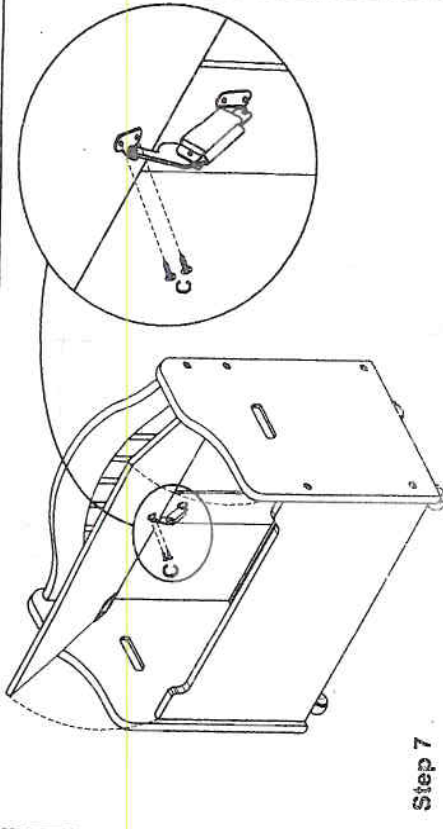
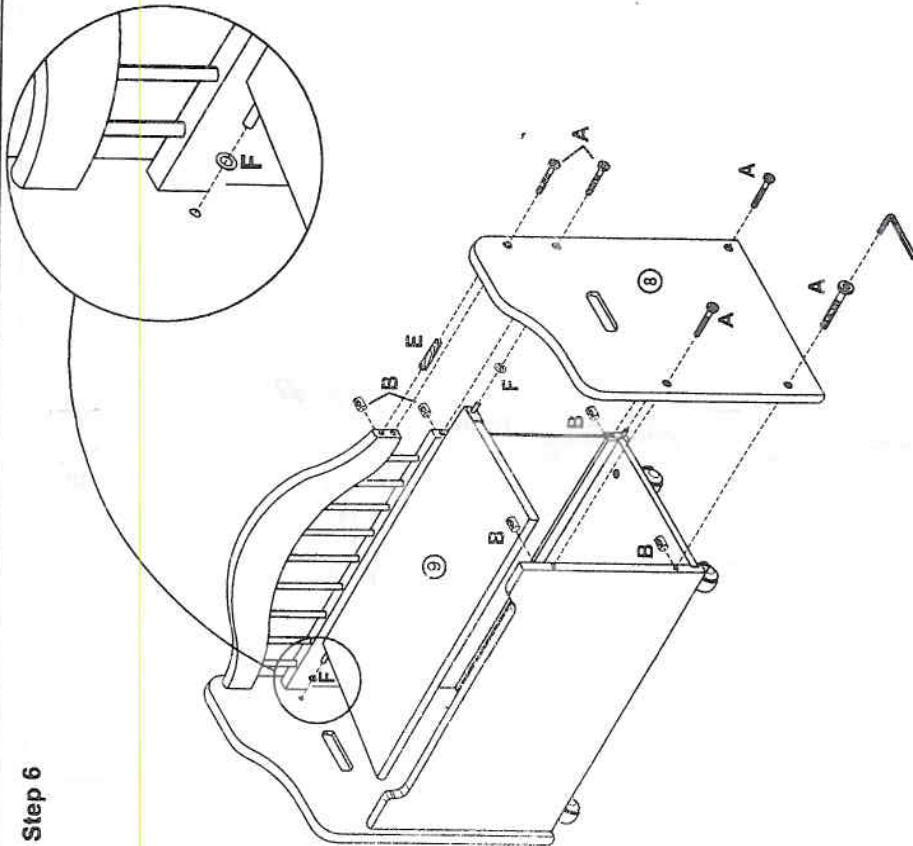
**IMPORTANT! DO NOT TIGHTEN SCREWS OR BOLTS UNTIL COMPLETELY ASSEMBLED.**  
**Customer Service 1-800-933-0771**

**WARNING: CHOKING HAZARD**  
 Unassembled parts may be a choking hazard to children 3 years and younger.

**Limited Edition Toy Chest**  
Assembly Instructions

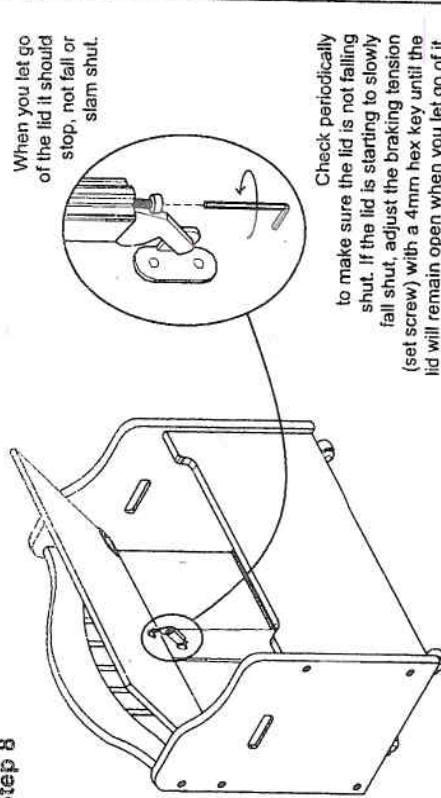
# 14101-14181

**Step 6**



**Step 7**

**Step 8**



When you let go of the lid it should stop, not fall or slam shut.

Check periodically to make sure the lid is not falling shut. If the lid is starting to slowly fall shut, adjust the braking tension (set screw) with a 4mm hex key until the lid will remain open when you let go of it.

**CAUTION ADULT ASSEMBLY REQUIRED**

- Unassembled hardware in this package may be a choking hazard to children. Hardware may contain sharp points and sharp edges. Keep away from children until assembled.
- Do not allow children to play inside with lid closed. In certain situations, sufficient air may not be available for breathing.
- **IMPORTANT:** Lid Support mechanism (Part 1) must be installed properly (Step 2 & Step 7) or a headlock entrapment may exist. Check to make sure the Lid Support is properly installed by moving it back and forth. When you let go of the lid it should stop, not fall or slam shut.

**IMPORTANT! DO NOT TIGHTEN SCREWS OR BOLTS UNTIL COMPLETELY ASSEMBLED.**  
**Customer Service 1-800-933-0774**



**WARNING: CHOKING HAZARD**  
Unassembled parts may be a choking hazard to children 3 years and younger.