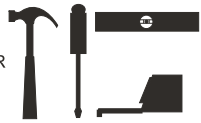


TOOLS REQUIRED:

HAMMER
 REGULAR SCREWDRIVER
 TAPE MEASURE
 LEVEL



ASSEMBLY/INSTALLATION INSTRUCTIONS:

FIGURE 1

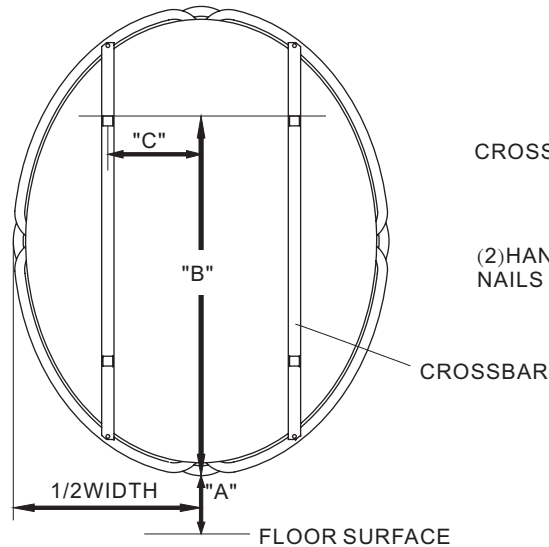


FIGURE 2

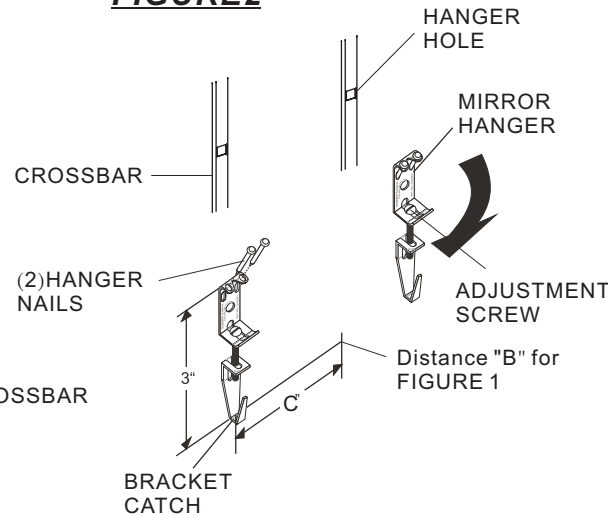


FIGURE 3

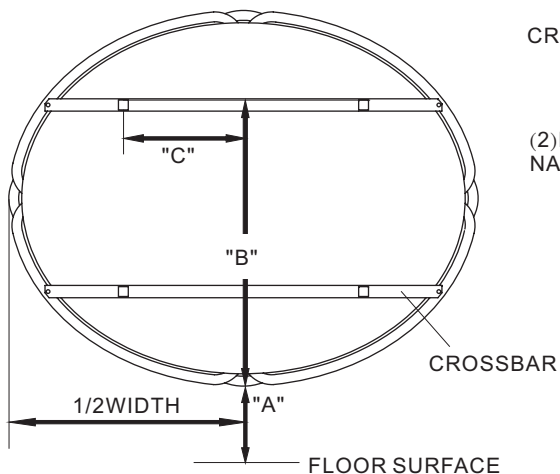
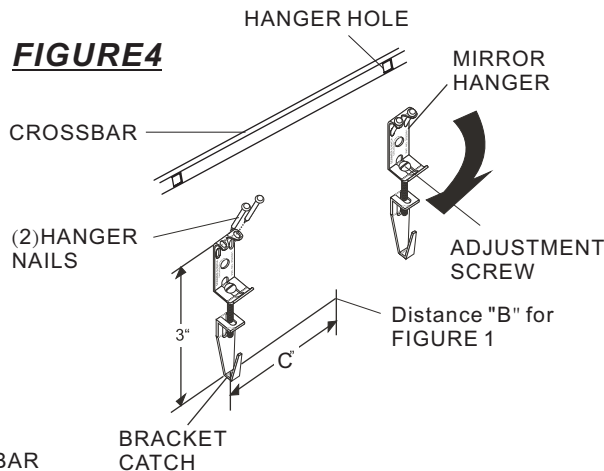


FIGURE 4



- Carefully unpack MIRROR from carton and refer to illustration for parts identification.
- Determine the hanging method [Vertical or Horizontal] (Refer to FIGURE 1 or FIGURE 3) Lift and position where MIRROR will reside on wall surface and with a tape measure, mark distance from floor to the bottom edge of frame with a pencil. Mark should be located at a point representing $\frac{1}{2}$ of mirror width. (Mark "A") **(Please note Quoizel recommends 2 people for this step.)**
- Place the MIRROR on flat surface with back facing you. Measure the distance from the bottom edge of MIRROR FRAME to the top quarter of HANGER HOLE. This represents distance "B" FIGURE 1 (or FIGURE 3). With tape measure, add this distance to MARK "A" on wall surface and mark with pencil. Measure the distance between two HANGER HOLES on CROSSBARS. this distance should be from the middle of the HANGER HOLES. Add half of the distance from MARK "B" on each side and mark with pencil. (Distance "C" FIGURE 1 or FIGURE 3). Measure 3" up from MARK "C" and mark. These marks are locators for the (2) MIRROR HANGERS. Check for marks straightness with level.
- (Refer to FIGURE 2 or FIGURE 4) Locate (1) MIRROR HANGER and align the top center with (1) 3" locator mark. Secure to wall surface with (2) HANGER NAILS. Repeat process for remaining MIRROR HANGER. **Please note the MIRROR HANGERS are fully adjustable allowing for easy leveling.**
- With MIRROR HANGERS properly installed, be sure to make sure that the (2) BRACKET CATCHES are approximately equal in length from the top of MIRROR HANGERS. Adjust overall length with ADJUSTMENT SCREWS.
- With the help of another person, pass the HANGER HOLES on CROSSBARS over the MIRROR HANGERS so that the CROSSBARS rests on the inside of the (2) BRACKET CATCHES.
- If needed, adjust mirror for straightness by eye or use level. Make corrections using ADJUSTMENT SCREWS on MIRROR HANGERS.
- Clean glass with household glass cleaner. Retain this sheet for future reference.