

FIGURE 1. (Vertical)
Generic rectangular shape

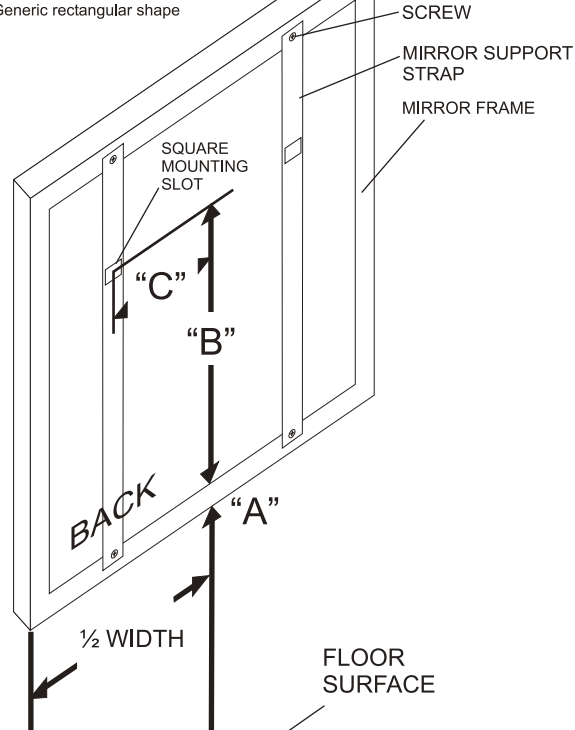


FIGURE 3. (Horizontal)

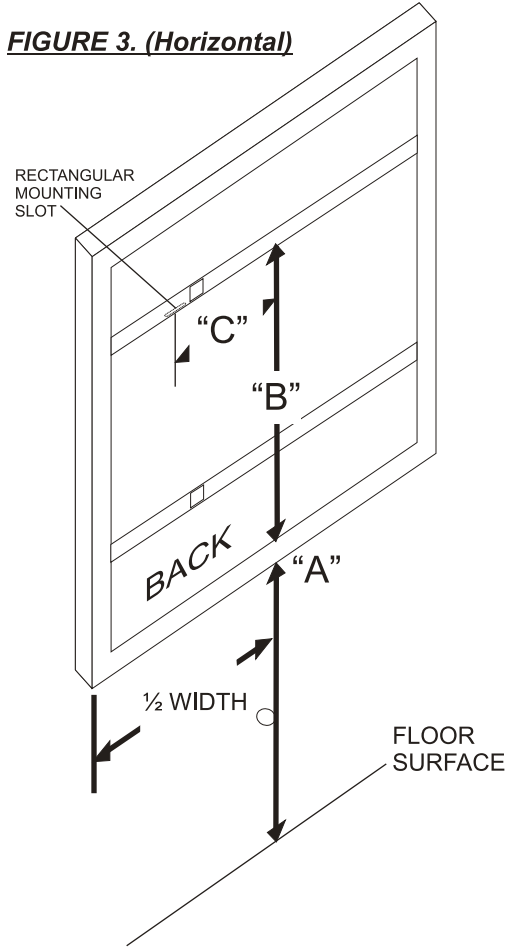
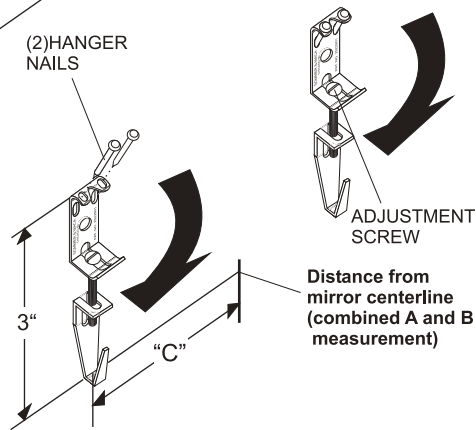


FIGURE 2



TOOLS REQUIRED:
HAMMER
REGULAR SCREWDRIVER
TAPE MEASURE
LEVEL

ASSEMBLY / INSTALLATION INSTRUCTIONS:

Carefully unpack MIRROR from carton and refer to illustration FIGURE 1. for parts identification. Note all illustrations are generic for graphic clarity. Actual shape depends on style purchased. Note: This mirror can be oriented in both the vertically or horizontally. Place the MIRROR FRAME face down on a level work surface. Carefully place the MIRROR into the back of the MIRROR FRAME (opaque side facing you). Locate the MIRROR BACKING and place over MIRROR. Locate the (2) MIRROR SUPPORT STRAPS and secure to back of MIRROR FRAME with SCREWS. Hand tighten SCREWS until snug.

VERTICAL ORIENTATION:

1. (Refer to FIGURE 1) Lift and position where MIRROR will reside on wall surface and with a tape measure, mark distance from floor to the bottom edge of frame with a pencil. Mark should be located at a point representing $\frac{1}{2}$ of mirror width. (MARK "A") **(Please note Quozel recommends (2) people for this step)**
2. Place the MIRROR on flat surface with back facing you. Measure the distance from the bottom edge to the center of (1) SQUARE MOUNTING SLOT (Distance "B" FIGURE 1). With tape measure, add this distance to MARK "A" on wall surface and mark with pencil. This represents the mirror vertical centerline.
3. Measure the center distance from both SQUARE MOUNTING SLOTS. Take this distance and divide by 2. Add each half of slot distance to each side of centerline (Distance "C" FIGURE 1).
4. Measure 3" up from end of each "C" distance mark and mark. These marks are locators for the (2) MIRROR HANGERS. Use of a level is advised to ensure marks are straight.
5. (Refer to FIGURE 2) Locate (1) MIRROR HANGER and align the top center with (1) 3" locator mark. Secure to wall surface with (2) HANGER NAILS. Repeat process for remaining WALL HANGER. **Please note the MIRROR HANGERS are fully adjustable allowing for easy mirror leveling.**
6. With MIRROR HANGERS properly installed, be sure to make sure that the (2) BRACKET CATCHES are approximately equal in length from the top of MIRROR HANGERS. Adjust overall length with ADJUSTMENT SCREW.
7. With the help of another person, position the back of MIRROR over (2) MIRROR HANGERS so that the (2)CATHCES engage the (2) MOUNTING SLOTS
8. If needed, adjust mirror for straightness by eye or use level. Make corrections using ADJUSTMENT SCREWS on MIRROR HANGERS.
9. Clean glass with household glass cleaner. Retain this sheet for future reference.

HORIZONTAL ORIENTATION:

1. (Refer to FIGURE 3) Lift and position where MIRROR will reside on wall surface and with a tape measure, mark distance from floor to the bottom edge of frame with a pencil. Mark should be located at a point representing $\frac{1}{2}$ of mirror width. (MARK "A") **(Please note Quozel recommends (2) people for this step)**
2. Place the MIRROR on flat surface with back facing you. Measure the distance from the bottom edge to the center of (1) RECTANGULAR MOUNTING SLOT (located on underside of SUPPORT BAR) (Distance "B" FIGURE 3). With tape measure, add this distance to MARK "A" on wall surface and mark with pencil. This represents the mirror horizontal centerline.
3. Measure the center distance from both RECTANGULAR MOUNTING SLOTS. Take this distance and divide by 2. Add each half of slot distance to each side of centerline (Distance "C" FIGURE 3). Refer to Step 4-9 above to complete installation.