

FIGURE 1.
Generic oval shape

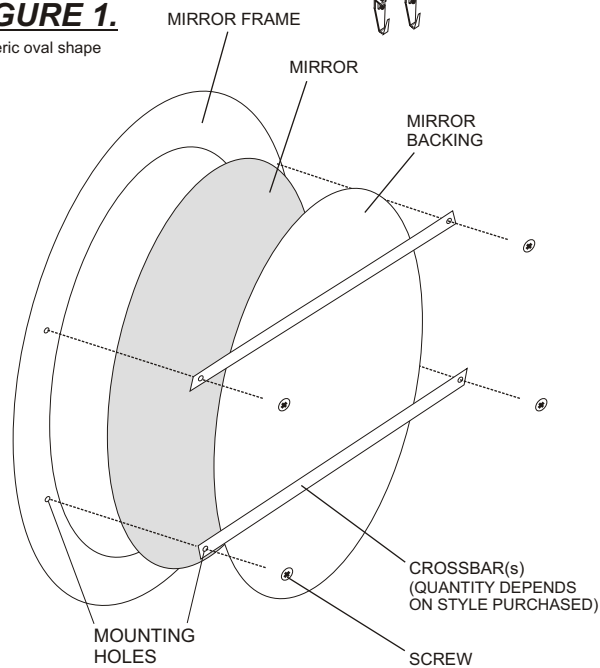


FIGURE 3.

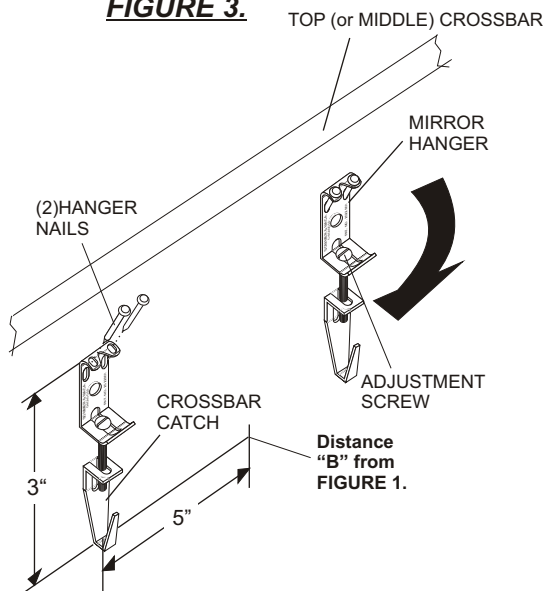


FIGURE 2.

Generic rectangular shape

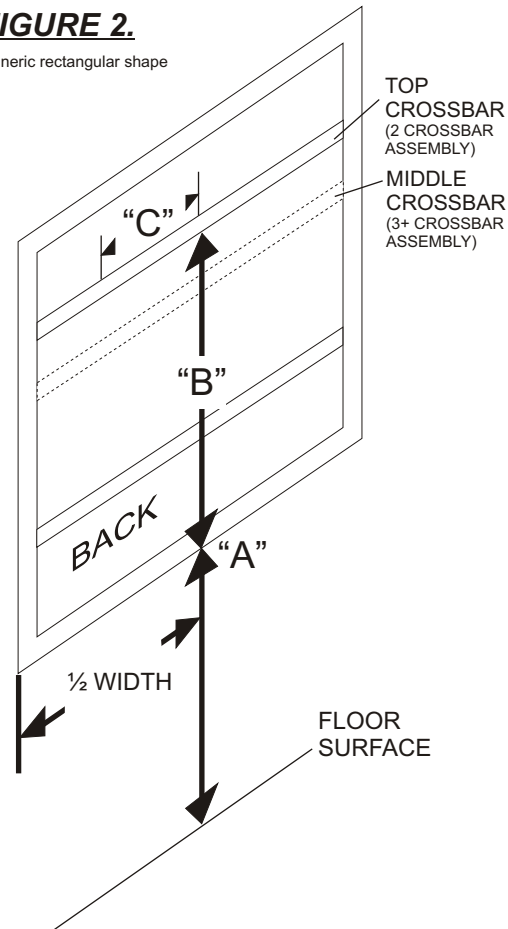
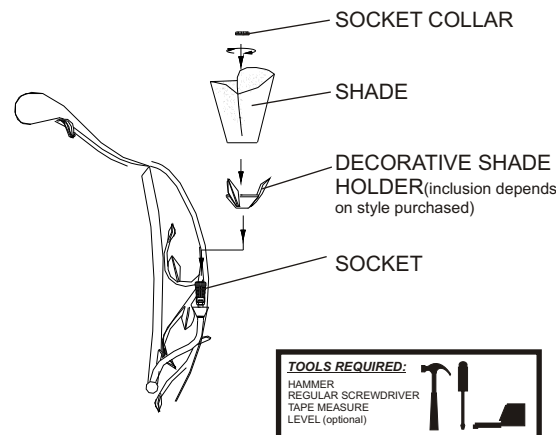


FIGURE 4.



ASSEMBLY / INSTALLATION INSTRUCTIONS:

1. Carefully unpack MIRROR from carton and refer to illustration FIGURE 1. for parts identification. Note all illustrations are generic for graphic clarity. Actual shape depends on style purchased.
2. (Refer to Figure 1) Locate the MIRROR FRAME and place finished side face down on level work surface. Carefully place the MIRROR (reflective side) into the frame. Locate the MIRROR BACKING and place over the backside of MIRROR. Locate the CROSSBARS (Note: orientation and quantity of CROSSBARS depends on style purchased) and align MOUNTING HOLES at ends with MOUNTING HOLES on backside of MIRROR FRAME. Secure CROSSBARS using SCREWS. Hand tighten screws until snug.
3. (Refer to FIGURE 2) Lift and position where MIRROR will reside on wall surface and with a tape measure, mark distance from floor to the bottom edge of frame with a pencil. Mark should be located at a point representing $\frac{1}{2}$ of mirror width. (Mark "A") **(Please note Quoizel recommends (2) people for this step)**
4. Place the MIRROR on flat surface with back facing you. Measure the distance from the bottom edge to the bottom of TOP CROSSBAR (for 2 CROSSBAR ASSEMBLY or MIDDLE CROSSBAR (for 3+ CROSSBAR ASSEMBLY)). Mark represents Distance "B" FIGURE 2. With tape measure, add this distance to MARK "A" on wall surface and mark with pencil. From MARK "B", measure 5" on each side and mark with pencil. (Distance "C" FIGURE 2). Measure 3" up from end of each 5" distance and mark. These marks are locators for the (2) MIRROR HANGERS. Check for mark straightness with level (optional).
5. (Refer to FIGURE 3) Locate (1) MIRROR HANGER and align the top center with (1) 3" locator mark. Secure to wall surface with (2) HANGER NAILS. Repeat process for remaining MIRROR HANGER. **Please note the MIRROR HANGERS are fully adjustable allowing for easy leveling.**
6. With MIRROR HANGERS properly installed, be sure to make sure that the (2) BRACKET CATCHES are approximately equal in length from the top of MIRROR HANGERS. Adjust overall length with ADJUSTMENT SCREW.
7. With the help of another person, pass the TOP CROSSBAR (for 2 CROSSBAR ASSEMBLY or MIDDLE CROSSBAR (for 3+ CROSSBAR ASSEMBLY) over the MIRROR HANGERS so that the crossbar rests on the inside of the (2) CROSSBAR CATCHES.
8. If needed, adjust mirror for straightness by eye or use level. Make corrections using ADJUSTMENT SCREWS on MIRROR HANGERS.
9. Clean glass with household glass cleaner. Retain this sheet for future reference.

SHADE INSTALLATION: FIGURE 4 (depends on style purchased)

1. Locate DECORATIVE SHADE HOLDERS (inclusion depends on style purchased) and pass over SOCKETS. Locate SHADES and pass over SOCKETS. Thread SOCKET COLLARS onto to of SOCKETS. Hand tighten until snug.
2. Install bulbs referring to fixture marking and/or labels for maximum wattage.
3. Plug supply wire into wall mounted receptacle.