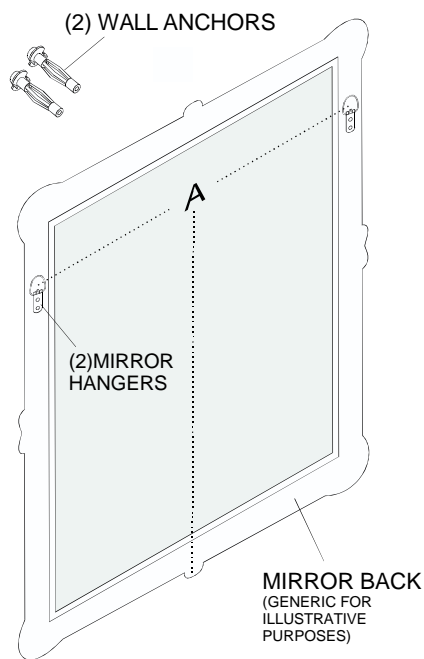


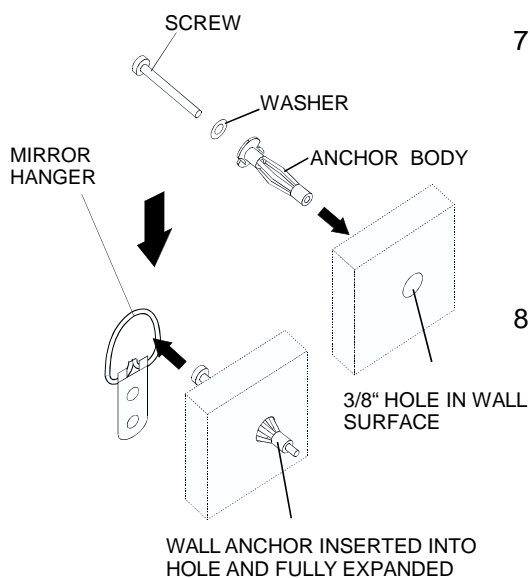
MIRROR INSTALLATION INSTRUCTIONS

FIGURE 1.



*Note: Number and placement of MIRROR HANGERS depends on style purchased. Additional mirror hangers allow horizontal or vertical application.

FIGURE 2.



1. Before beginning the installation, carefully unpack and identify all parts referring to the illustration FIGURE 1.
2. Locate on the wall surface where the mirror is to reside. With the help of another person, position the MIRROR on the wall and using a tape measure, measure up the distance from floor surface to the bottom of the MIRROR. With a pencil, mark this distance.
3. Carefully place the Mirror on a level surface and measure the distance from the bottom of the MIRROR to the center of the (2) MIRROR HANGERS, distance "A" FIGURE 1. (which are attached to the mirror back). Proceed to add this distance to the mark you have already made representing distance from mirror bottom to floor.
4. Measure the distance center to center of both MIRROR HANGERS. Divide this distance in half and pencil mark value on each side of the distance "A" mark. These pencil marks represent where the (2) WALL ANCHORS will be located.
5. With a hand drill with 3/8" drill bit, proceed to drill (2) MOUNTING HOLES in wall surface at the (2) pencil marks representing the center of the (2) MIRROR HANGERS.
6. (Refer to FIGURE 2 for Steps 6-8) With holes made proceed to locate (2) WALL ANCHORS Remove SCREWS with WASHER and place each ANCHOR BODY into holes in wall surface. Tap lightly with handle of screwdriver to ensure the heads of each ANCHOR BODY are flush with the wall surface.
7. With the ANCHOR BODIES in place proceed to re-thread each SCREW with WASHER into ANCHOR BODY. Using Philips head screwdriver tighten SCREW (this will cause ANCHOR BODY to expand inside wall surface). Be sure to leave at least 3/16" distance from the underside of SCREW HEAD and top of ANCHOR BODY (which is now flush with wall surface)
8. With the help of another person, carefully lift the MIRROR so that the (2) MIRROR HANGERS align with the (2) SCREW HEADS and lower MIRROR to attach to wall surface. Be sure that the WASHERS are seated behind the (2) SCREW HEADS.

TOOLS REQUIRED:



APPROXIMATE INSTALLATION TIME:
20 MINUTES